

## **Table of Contents**

Fuel 01 . . . . .	3
Engine External 02 . . . . .	14
Engine Internal 03 . . . . .	38
Brakes 04 . . . . .	62
Clutch & Transmission 05 . . . . .	66
Exhaust 06 . . . . .	78
Cooling & Heating 07 . . . . .	86
Glass 08 . . . . .	90
Undercarriage 09 . . . . .	93
Steering & Suspension 10 . . . . .	95
Front end Cowl to grill 11 . . . . .	100
Interior 12 . . . . .	102
Rear Axle/Drivetrain 13 . . . . .	110
Doors 14 . . . . .	114
Sheet Metal . . . . .	115
Battery 16 . . . . .	118
Decals 17 . . . . .	119
Moldings Emblems, & Lights 18 . . . . .	121
Electrical 19 . . . . .	128
Trunk 20 . . . . .	134
Accessories 21 . . . . .	136
Convertible 22 . . . . .	139
Literature 23 . . . . .	140
Edelbrock 24 . . . . .	140
Bolts, Clips & Screws 25 . . . . .	143
Bumpers 26 . . . . .	147
Miscellaneous 27 . . . . .	148
Weatherstripping 28 . . . . .	148
Paint 29 . . . . .	150
Index . . . . .	151
Book of Numbers . . . . .	159

**All prices subject to change without notice. Any installed part is not returnable**

# Page 2 Show-Cars.com 1-24 Catalog

## GENERAL INFORMATION

Before ordering from the catalog, please read this section. By placing an order, you agree to the following terms:

### PRICING

Every attempt is made to keep our prices as close to the current catalog list price as possible. However, because of price fluctuations from our suppliers and volume buying, the price of some items may increase or decrease accordingly. Show Cars reserves the right to change prices without notice.

Please Note: The pricing in our catalog and in our on-line store do not include shipping.

We will always price your part number list for you, just ask.

### RETURNS

Before returning any parts, you must obtain a return authorization number. Be prepared to furnish your invoice number, date and part numbers of the items you wish to return. Returns without a RA number will delay the credit or exchange and in some cases they will be returned to you. Some items are not returnable. These include, but are not limited to used parts, bolts and bolt kits, special order items and all electrical parts. Any part that has been installed is not returnable. Parts purchased more than 60 days in the past are considered used parts and are not returnable. However, we may consider purchasing them from you depending on our needs at the time. All parts must be in new, re-salable condition, no markings on the package. If you paint it, weld it, cut it, it's yours. If there are markings on it because it has been installed it is not returnable. All returns are subject to a re-stocking charge.(15% to 25%) Under no circumstances will Show Cars pay the shipping on any items you wish to return.

Special note to foreign customers: We are happy to ship your order most anywhere in the world. We are very careful to make sure the right parts are in the

box, however, if you get a wrong part, we cannot cover the return shipping charges and we cannot cover the shipping charges on replacement parts no matter whose "fault" it was. Foreign shipments are sent via Postal Service. Size and weight limits vary by country.

### ORDERING PROCEDURES

You can now order on line 24/7 at [www.dr409.com](http://www.dr409.com). We also accept e-mail [showcars@newulmtel.net](mailto:showcars@newulmtel.net) and fax orders 507-354-1959.

Our customer service line for phone orders is available 7:30-4:30PM Monday – Friday Central time. 507-233-1958

You may also mail your order to Show Cars, 58375 County Rd 21, New Ulm MN 56073

You can download an order form from our website [dr409.com](http://dr409.com).

### BACK ORDERS

We handle back orders in the following manner:

1. Ship and back order. We ship what we have in stock and ship the back orders as they come in.
2. Ship and cancel. We ship what we have in stock and cancel the rest, you re-order on your next order. When not specified, we will ship and back order.

### SHIPPING AND HANDLING

All orders to US addresses are shipped via Fed Ex, UPS, Speedy or US Mail. If you have a favorite carrier, let us know, we will flag your account.

All packages over \$250 in value require a signature upon delivery, make sure someone is available to sign for your parts.

You can fax or mail us the signature release form found in the back of this catalog or from our website if you are comfortable having your package left on your doorstep when you are not home.

### COD'S

We will gladly send your order COD. This service carries a \$18.00 charge in addition to regular shipping and handling charges. Personal checks are accepted up to \$200.00, over that certified funds are required.

**Go to Show-Cars.com for updates and many more pictures**

# 507-233-1958 Fax 507-354-1959 1-24 Catalog 3

Please note that COD's cannot be sent Next Day or 2 Day Air.

Please have your invoice number and part number(s) when you call about previous orders.

## WARRANTY

The manufacturer determines all warranties. If a part is found defective, the manufacturer may either repair or replace the part. Under no circumstances is a refund offered.

Show Cars liability is limited to the replacement of defective parts. All parts should be inspected by the installer prior to installation. No allowance is given for installation labor or consequential damages. The installer is solely responsible for the suitability of a part for a particular application. Show cars will not be held responsible for personal or mechanical damage. All warranty's are FOB New Ulm, Minnesota.

## SHORTAGES

If you believe that you are short items in your shipment, please use the following procedure:

1. Check your invoice carefully to make sure it is not back-ordered.
2. Check to see if the package has been damaged or appears to have been opened and re-sealed. This must be done the same day you receive the package. Report it to the driver if possible.
3. If something is missing, call Customer Service at 507-233-1958 within 5 days. No claims for shortages will be honored after 5 days.

All damaged goods claims must be filed with the carrier. Save all boxes and packaging material for inspection. Please call Customer Service at 507-233-1958 for help in filing a claim. This needs to be done the same day you receive the package, report it to the driver if possible

**BY ORDERING FROM THIS CATALOG, OUR ON-LINE STORE AND BY PHONE YOU AGREE TO OUR TERMS AND CONDITIONS.**

Pictures on our website are not guaranteed to be accurate.

**All prices subject to change without notice. Any installed part is not returnable**

## Fuel . . . . . 01 GAS LINE-FUEL PUMP TO CARB(S) SMALL BLOCK REPRO COMPLETE SETS WITH ALL FITTINGS . . . . .

. . . . . 01.100

*These sets are bent in a jig and fixture like GM did 50+ years ago.*

5330	58 Gas line early 283 1x2 tinned steel . . . . . Set	\$45.00
8029	58 Gas line early 283 1x2 stainless steel . . . . . Set	\$55.00
1122	58-64 Gas line 283, 327 250 hp 1x4 tinned steel . . . . . Set	\$39.00
8034	58-64 Gas line 283, 327 250 hp 1x4 stainless steel . . . . . Set	\$49.00
58-64	Gas line 283, 327 250 hp 1x4 stainless steel	
4826	59-64 Gas line 283 1x2 with air, tinned steel . . Set	\$37.00
8033	59-64 Gas line 283 1x2 with air, stainless steel Set	\$47.00
6330	59-64 Gas line 283 1x2 tinned steel CNC bent. Set	\$20.00
1121	62-64 Gas line 327 300 hp, tinned steel . . . . . Set	\$39.00
8035	62-64 Gas line 327 300 hp, stainless steel . . . . . Set	\$49.00
6332	62-64 Gas line 327-300 hp, tinned steel, CNC bent . . . . . Set	\$22.00
8894	Gas line small block 3x2 for Edelbrock 94 carbs on Edelbrock intake, stainless steel. . . . . Set	\$183.00
6796	Gas line small block 3x2 for large bore Rochester carbs on Edelbrock or Offenhauser intake 5 1/2" center to center, tinned steel . . . . . Set	\$135.00
8895	Gas line small block 3x2 for large bore Rochester carbs on Edelbrock or Offenhauser intake 5 1/2" center to center, stainless steel . . . . . Set	\$180.00
7264	Gas line small block 3x2 for small bore Rochester carbs on Edelbrock or Offenhauser intake 5 1/2" center to center, tinned steel . . . . . Set	\$135.00
8896	Gas line small block 3x2 for small bore Rochester carbs on Edelbrock or Offenhauser intake 5 1/2" center to center, stainless steel . . . . . Set	\$180.00

## GAS LINE-FUEL PUMP TO CARB(S), 348 REPRO, COMPLETE SETS WITH ALL FITTINGS . . . . . 01.101

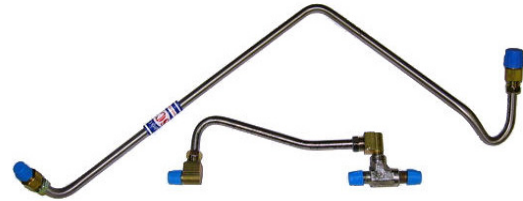
4506	58 348 1x4 Gas line with air -tinned steel . . . . . Set	\$46.00
8036	58 348 1x4 Gas line with air stainless steel . . . . . Set	\$56.00
6329	58-61 348 1x4 Gas line with air tinned steel. CNC bent . . . . . Set	\$22.00
2287	58 348 3x2 Gas line (front fuel inlets) tinned steel . . . . . Set	\$116.50
8037	58 348 3x2 Gas line (front fuel inlets) stainless steel . . . . . Set	\$126.00
8900	58 348 3x2 Gas line (front fuel inlets) with vacuum pump	

# Page 4 Show-Cars.com 1-24 Catalog

	tinned steel CNC bent . . . . .	Set	\$140.00
8038	58 348 3x2 gas line front fuel inlets with vacuum pump stainless steel CNC bent . . . . .	Set	\$160.00
2288	59-61 348 3x2 gas line with 4-way tee, side fuel inlets, tinned steel . . . . .	Set	\$103.50
8039	59-61 348 3x2 gas line with 4-way tee, side fuel inlets, stainless steel . . . . .	Set	\$129.00
6325	59-61 348 3x2 gas line with 4 way tee, side fuel inlets, tinned steel CNC bent . . . . .	Set	\$72.55
3771	59-61 348 1x4 gas line with 4GC or WCFB with internal filter, tinned steel. . . . .	Set	\$37.00
8048	59-61 348 1x4 gas line with 4GC or WCFB with internal filter, stainless steel. . . . .	Set	\$47.00
1007	59-61 348 1x4 gas line 305, 320, 340 hp; also 61-62 409 360, 380 hp for carb with rear fuel inlet tinned steel	Set	\$57.00
1007A	58-61 348 1x4 gas line with AFB used with glass external filter front filter inlet tinned steel; also 62 409 380 hp . . . . .	Set	\$41.79
8050	58-61 348 1x4 gas line with AFB used with glass external filter front filter inlet stainless steel; also 62 409 380 hp . . . . .	Set	\$51.79

## GAS LINE-FUEL PUMP TO CARB, 409 REPRO COMPLETE SETS WITH ALL FITTINGS . . . . . 01.102

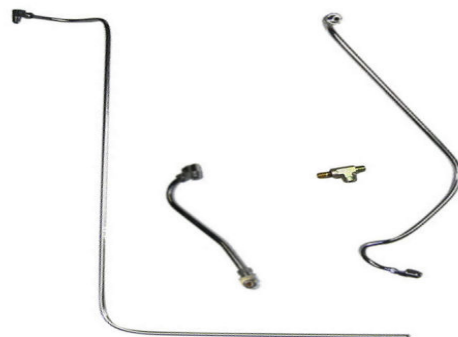
1007	61-62 409 1x4 gas line 360, 380 hp for carb with rear fuel inlet; also 59-61 348 305, 320, 340 hp; tinned steel . . . . .	Set	\$57.00
8049	61-62 409 1x4 gas line 360, 380 hp for carb with rear fuel inlet; also 59-61 348 305, 320, 340 hp; stainless steel . . . . .	Set	\$67.00
1007A	62 409 380 hp gas line with AFB used with glass external filter front fuel inlet tinned steel; also 58-61 348 1x4 . . . . .	Set	\$41.79
8050	62 409 380 hp gas line with AFB used with glass external filter front fuel inlet , also 58-61 348 1x4 . . . . .	Set	\$51.79
1008	62 409/409 HP Gas line 2x4 original carbs on GM or Edelbrock intake, tinned steel . . . . .	Set	\$87.60
8051	62 409/409 HP Gas line 2x4 original carbs on GM or Edelbrock intake, stainless steel . . . . .	Set	\$97.60
6326	62 409/409HP 2x4 gas line with original AFB carbs on GM or Edelbrock intake, tinned steel, CNC bent. . . . .	Set	\$72.55



## Show Cars Part #6335

6335	62 409/409HP 2x4 gas line with original AFB carbs on GM or Edelbrock intake, stainless steel, CNC bent . . . . .	Set	\$90.00
7216	63 409 Z-11 2x4 Gas line pump to carbs tinned steel . . . . .	Set	\$115.00
8054	63 409 Z-11 2x4 Gas line pump to carbs stainless steel . . . . .	Set	\$125.00
1009	63-65 409-400hp Gas line for original carb, with return, chrome . . . . .	Set	\$155.00
8898	63-65 409 340hp Gas line with return for original carb, stainless steel . . . . .	Ea	\$84.00
8040	63-65 409 340hp gas line for original carb less return, stainless steel . . . . .	Ea	\$78.00
1010	63-65 409-400hp Gas line for original carb, with return, chrome . . . . .	Set	\$166.50
8899	63-65 409-400hp Gas line for original carb with return, stainless steel . . . . .	Set	\$106.50
8041	63-65 409-400 hp gas line for original carb less return, stainless steel . . . . .	Ea	\$84.00
6632	62-64 409 2x4 gas line for original carbs on original or Edelbrock intake, less return, Chrome . . . . .	Set	\$138.00
8980	63-64 409 2x4 gas line for original carbs on original or Edelbrock intake with return, stainless steel . . . . .	Set	\$141.50

## GAS LINE-FUEL PUMP TO CARB, CUS-



## Show Cars Part #1011

Go to Show-Cars.com for updates and many more pictures

# 507-233-1958 Fax 507-354-1959 1-24 Catalog 5

## TOM (AFTER MARKET CARBS, INTAKE OR BOTH COMPLETE WITH ALL FITTINGS) ..... 01.103

- 6656 348 3x2 gas line pump to carbs for carb with center choke tube fitting, side inlets, tinned steel. .... Set \$119.00
- 8293 348/409 1x4 gas line kit for Edelbrock carb on Edelbrock or GM 400 hp intake, tinned steel Also needs #1155 filter assembly. Also for GM cast iron intake (use with 6169) ..... Set \$77.50
- 8104 348/409 1x4 gas line kit for Edelbrock carb on Edelbrock or GM 400 hp intake, chrome Also needs #1155 filter assembly. Also for GM cast iron intake (use with 6169) . Kit \$101.61
- 8294 348/409 1x4 gas line kit for Edelbrock carb on Edelbrock or GM 400 hp intake, stainless steel Also needs #1155 filter assembly. Also for GM cast iron intake (use with 6169) ..... Set \$87.50
- 3914A 348/409 2x4 gas line for Edelbrock carbs, used on an Offenhauser intake, tinned steel. You must measure center to center of carbs ..... Set \$88.50
- 8222 348/409 2x4 gas line for Edelbrock carbs with electric choke on GM or Edelbrock intake, needs 1155 gas filter, tinned steel ..... Set \$100.50
- 8296 348/409 2x4 gas line for Edelbrock carbs with electric choke on GM or Edelbrock intake, needs 1155 gas filter, stainless steel ..... Set \$129.00
- 7253 348/409 4x2 gas line available only with carbs and intake tinned steel ..... Set \$126.00
- 348/409 2x4 gas line for Edelbrock carbs with manual choke on Offenhauser intake, you must measure the center to center of your carbs, chrome ..... Set \$153.99
- 7302 348/409 2x4 gas line for original carbs on Offenhauser intake you must measure center to center of your carbs, tinned steel ..... Set \$85.17
- 7376 Edelbrock 2x4 carb to carb gas line ..... Set \$89.95
- 6705 63-65 409 340 hp gas line adapter use when replacing 4GC with Edelbrock AFB using existing 340 hp gas lines, tinned steel ..... Set \$57.99
- 8103 348/409 1x4 gas line filter to carb for Edelbrock carb on Edelbrock intake, stainless steel ..... Set \$42.50
- 8105 348/409 1x4 gas line filter to carb for Edelbrock carb on Edelbrock intake, tinned steel ..... Set \$38.37
- 8241 348/409 2x4 gas line for Edelbrock carbs with electric choke on Edelbrock or GM intake, needs glass filter, chrome ..... Set \$142.80

## GAS LINE FITTINGS ..... 01.104

- 2288A 59-61 4way fitting 348 3x2 (brass) use with 5349 ..... Ea \$39.95
- 5349 59-61 carburetor to 4 -way adapter fitting to 2GC Carb ..... Ea \$19.50
- 7161 3x2 Fuel inlet fitting for 2G & 2GC carbs ..... Ea \$16.00
- 1045 Carter AFB fuel inlet fitting ..... Ea \$19.95

- 9199 Carter AFB fuel inlet fitting gasket. .... Ea \$4.95
- 3324 62-64 Cast T fitting fuel bowl to front carb 409 2x4 with original AFB ..... Ea \$22.94
- 6881 Fuel bowl to carb nipple ..... Ea \$5.00
- 8871 Fuel pump to fuel line fitting ..... Ea \$9.00
- 8872 Fuel line to fuel bowl and carb fitting ..... Ea \$9.00
- 8873 Fuel line to fuel bowl and carb fitting, 90\* ..... Ea \$9.00

*For Bolts, Clips, and Screws please turn to group 25*

## GAS LINES, INDIVIDUAL LINES WITH ALL FITTINGS ..... 01.105

- 7350 62 409 409hp Fuel pump to fuel bowl gas line, tinned steel ..... Ea \$39.09
- 8052 62 409 409hp Fuel pump to fuel bowl gas line, stainless steel ..... Ea \$54.79
- 7351 62 409 2x4 Carb to carb gas line, original carbs, tinned steel ..... Ea \$48.00
- 8053 62 409 2x4 Carb to carb gas line, original carbs stainless steel ..... Ea \$60.00
- 7738 348/409 2x4 Carb to carb gas line for Edelbrock carbs on Offenhauser intake, chrome ..... Ea \$64.50
- 7739 348/409 2x4 Pump to fuel bowl gas line, chrome ..... Ea \$74.49
- 6628 63-65 409 340hp pump to fuel bowl gas line, chrome ..... Ea \$78.75
- 6629 63-65 409 400hp pump to fuel bowl gas line, chrome ..... Ea \$79.29
- 8993 348/409 2x4 Fuel bowl to carbs line, Edelbrock carbs with electric choke Edelbrock or GM intake stainless steel ..... Ea \$78.31
- 8994 348/409 Fuel bowl to carbs line, Edelbrock carbs with electric chock Edelbrock or GM intake, tinned steel Ea \$61.56
- 6705 63-65 409 340 hp fuel line adapter, use when replacing 4GC with Edelbrock carb using existing 340 hp fuel lines and filter, tinned steel ..... Ea \$57.99
- 8056 63-65 409 340 hp 1/4" return line on engine, stainless steel ..... Ea \$54.17
- 8057 63-65 409 400hp 1/4" return line on engine, stainless steel ..... Ea \$51.46
- 6863 63-64 409 425 Hp 1/4" return line on engine, chrome ..... Ea \$77.28
- 8055 63-64 409 425hp 1/4" return line on engine, stainless steel ..... Ea \$57.28
- 6864 63-65 409 400 Hp 1/4" return line on engine, chrome ..... Ea \$875.00
- 6865 63-65 409 340hp 1/4" return line on engine, chrome ..... Ea \$74.17
- 8841 348/409 1/4" return line on engine for Edelbrock carbs with electric choke. For Edelbrock or GM intake, needs 7484 gas filter, stainless steel ..... Ea \$55.54

## RETURN LINES-FRAME (ENGINE TO TANK) ...

..... 01.120

**All prices subject to change without notice. Any installed part is not returnable**

# Page 6 Show-Cars.com 1-24 Catalog

1012	63-64 409 1/4" return line on frame tank to pump, tinned steel . . . . .	Ea	\$42.35
9212	409 1/4" return line on frame tank to pump, station wagon,-tinned steel . . . . .	Ea	\$42.35
1013	63-64 409 1/4" return line on frame tank to pump, stainless steel . . . . .	Ea	\$72.60
1015	63-65 Return line hose clamps 4 pcs. . . . .	Set	\$16.45
1136	63-64 Return hose & clamp Kit ( 6 pieces.) . . . . .	Set	\$22.00
3197	63-65 409 return line clamp rear of engine, also 58-65 4 speed wire harness clamp . . . . .	Ea	\$6.05
1014	63-65 409 Return line on frame clip set, 7 pieces . . . . .	Set	\$12.00
1016	63-65 409 return line clip on valve cover 2 required . . . . .	Ea	\$5.00

For Bolts, Clips, and Screws please turn to group 25

## GAS LINES-FRAME (TANK TO FUEL PUMP) TINNED STEEL . . . . . 01.140

4830	58 5/16 " Gas line on frame tank to pump 1 pc, single exhaust cars, tinned steel . . . . .	Ea	\$75.00
5261	58 3/8 Gas line on body, front, tinned steel . . . . .	Ea	\$35.45
5262	58 3/8 Gas line on body, middle, tinned steel . . . . .	Ea	\$50.64
5263	58 3/8 Gas line on body, rear, tinned steel . . . . .	Ea	\$33.76
3594	59-62 3/8 Gas line on frame, front, tinned steel . . . . .	Ea	\$24.15
1018A	63-64 3/8 Gas line on frame, front, tinned steel . . . . .	Ea	\$24.15
1018D	59-60 3/8 Gas line on frame center, tinned steel . . . . .	Ea	\$33.28
1018B	61-64 3/8 Gas line on frame center, tinned steel . . . . .	Ea	\$33.28
1018E	59-60 3/8 Gas line on frame rear, tinned steel . . . . .	Ea	\$24.15
1018C	61-64 3/8 Gas line on frame, rear, tinned steel . . . . .	Ea	\$24.15
9215	63-64 3/8 Gas line on frame rear, station wagon, tinned steel . . . . .	Ea	\$61.30
5264	58 3/8 Gas line on body 3 pieces set, front, middle, rear, tinned steel . . . . .	Set	\$117.85
3593A	59-60 3/8 Gas line on frame, 3 pc set, front middle, rear, tinned steel . . . . .	Set	\$81.58
3593	61-62 3/8 Gas line on frame 3 pc set front, middle, rear, tinned steel . . . . .	Set	\$81.58
1018	63-64 3/8 Gas line on frame 3 pc set, front, middle, rear, tinned steel . . . . .	Set	\$66.55
1027A	59-64 Gasline clamp to frame, 3 pc. . . . .	Set	\$16.50
1083	58-64 Gas line frame grommets, 2pcs . . . . .	Set	\$4.79
5776	58 3/8 Gas line to frame clip . . . . .	Ea	\$1.52
8972	58-66 Gas and brake clips to frame first design olive green all GM cars. . . . .	Pr	\$7.00
1027	58-64 GM Replacement type (1971 and newer) gas line clips to frame all GM (2piece). . . . .	Set	\$7.00
9204	58-72 GM Zinc gas and brakeline clips to frame . . . . .	Pr	\$7.00

8973	67-70 Gas and brake line clips to frame second design red oxide, all GM cars. . . . .	Pr	\$7.00
------	---	----	--------

For Bolts, Clips, and Screws please turn to group 25

## GAS LINES-FRAME (TANK TO FUEL PUMP) STAINLESS STEEL . . . . . 01.140

1083	58-64 gas line frame grommets. . . . .	Pr	\$4.35
7246	58-64 5/16 Gas line on frame tank to pump, single exhaust cars, stainless steel . . . . .	Ea	\$95.00
6623	58 3/8 Gas line on body, 3 pcs stainless steel . . . . .	Set	\$110.00
4299	59-62 3/8 Gas line on frame, front, stainless steel . . . . .	Ea	\$36.25
4296	63-64 3/8 Gas line on frame, front, stainless steel . . . . .	Ea	\$36.25
4297A	59-60 3/8 Gas line on frame, center stainless steel . . . . .	Ea	\$54.45
4297	61-64 3/8 Gas line on frame center, stainless steel . . . . .	Ea	\$54.95
4298A	59-60 3/8 Gas line on frame, rear, stainless steel . . . . .	Ea	\$36.25
4298	61-64 3/8 Gas line on frame, rear, stainless steel . . . . .	Ea	\$36.25
4300A	59-60 3/8 Gas line on frame, 3 pcs front , middle, rear, stainless steel . . . . .	Set	\$127.35
4300	61-62 3/8 Gas line on frame, 3pcs front, middle, rear stainless steel . . . . .	Set	\$127.35
1019	63-64 3/8 Gas line on frame, 3pcs, front, middle rear, stainless steel . . . . .	Set	\$127.35

## CLAMPS (GAS HOSE) . . . . . 01.150

1021	58-up Gas hose spring clamp for 3/8 gas line, green oxide . . . . .	Ea	\$2.42
1021A	58-up Gas hose spring clamp for 5/16 gas lines, black oxide . . . . .	Ea	\$2.42
1021B	58-up Gas hose spring clamp for 1/4 gas lines, red oxide . . . . .	Ea	\$2.42
1015	63-64 Gas hose bolt style clamps for 1/4 return line, 4 pieces stainless steel. . . . .	Set	\$17.60

## GAS HOSE KITS WITH GM MARKINGS . . . 01.150.

1128	58-64 5/16 Gas hose, clamp and fittings for front gas line on frame to fuel pump , GM markings . . . . .	Set	\$27.15
1129	58-64 3/8 Gas hose, clamp and fittings for front gas line on frame to fuel pump, GM markings . . . . .	Set	\$27.15
1135	58-64 5/16 gas hose and clamps for gas line on frame from tank to front gas line, 3 hoses, 6 clamps, GM markings . . . . .	Set	\$27.15
1134	58-64 3/8 gas hose and clamps for gas line on frame from tank to front gas line, 3 hoses, 6 clamps, GM markings . . . . .	Set	\$27.15

Go to Show-Cars.com for updates and many more pictures

# 507-233-1958 Fax 507-354-1959 1-24 Catalog 7

## HOSES (GAS HOSE WITH GM LOGO) . . . .

### 01.150

1020	3/8 Gas hose with GM logo, per foot . . . . .	Ea	\$4.79
1020A	5/16 Gas hose with GM logo, per foot . . . . .	Ea	\$4.79
1020B	1/4 Gas hose with GM logo, per foot . . . . .	Ea	\$4.79

## SENDING UNITS . . . . . 01.160

Note: 58-64 sending units should read 0-50 ohms, 65-67

should read 0-90 ohms

6128	58-60 5/16 sending unit . . . . .	Ea	\$45.00
6129	58-60 3/8 sending unit . . . . .	Ea	\$45.00
6130	61-64 5/16 sending unit . . . . .	Ea	\$45.00
6131	61-64 3/8 sending unit . . . . .	Ea	\$45.00
6345	58-60 3/8 sending unit, stainless steel. . . . .	Ea	\$55.00
6346	58-60 5/16 sending unit, stainless steel . . . . .	Ea	\$55.00
6657	59-60 3/8 sending unit-Station Wagon & El Camino . . . . .	Ea	\$75.00
6658	59-60 5/16 sending unit-Station Wagon & El Camino . . . . .	Ea	\$75.00
7505	61-64 5/16 sending unit-Station wagon and El Camino except 9 passenger . . . . .	Ea	\$75.00
7506	61-64 3/8 sending unit-Station wagon and El Camino except 9 passenger . . . . .	Ea	\$80.00
6347	61-64 3/8 sending unit, stainless steel. . . . .	Ea	\$55.00
6348	61-64 5/16 sending unit, stainless steel. . . . .	Ea	\$58.00
6349	61-64 3/8 sending unit with return line fitting, stainless steel. . . . . .	Ea	\$65.00
8395	65-66 3/8 sending unit with return 1/4" return line fitting . . . . .	Ea	\$55.00
8396	65-66 3/8 sending unit with return 1/4" return line fitting, stainless steel. . . . .	Ea	\$58.00

## SENDING UNIT HARDWARE. . . . . 01.170

1120	58-60 sending unit gasket . . . . .	Ea	\$3.50
3329	58-60 sending unit screws-5 piece-clutch head . . . . .	Set	\$3.58
3185	58-64 Sending unit wire rubber grommet. . . . .	Ea	\$3.33
1025	61-up Gas sending unit cam lock and gasket . . . . .	Ea	\$5.50
7892	55-72 Brass float for gas sending unit (fits all sending units with brass float . . . . .	Ea	\$13.00
7597	61 Up Gas sending unit cam lock tool . . . . .	Ea	\$10.00

## GAS TANK STRAINERS . . . . . 01.170

1098	58-64 Gas Tank Strainer 5/16 inch . . . . .	Ea	\$13.00
1099	58-64 Gas Tank Strainer 3/8 inch . . . . .	Ea	\$13.00

## GAS TANKS . . . . . 01.180

5588	58 Gas tank, full Size, imported . . . . .	Ea	\$225.00
8292	58 Gas tank, full Size except station wagon, stainless . . . . .	Ea	\$269.00
5589	59-60 Gas tank, full Size, imported . . . . .	Ea	\$148.99

7759	61-64 Gas tank, full size, imported, good finish . . . . .	Ea	\$163.00
------	---	----	----------



Show Cars Part #5333

5333	61-64 Gas tank, full Size, steel imported, better finish		
------	--	--	--



Show Cars Part #7597

7760	61-64 Gas tank, stainless steel (Taiwan). . . . .	Ea	\$150.00
		Ea	\$319.95

## CUSTOM GAS TANKS. . . . . 01.185

8757	58 Custom Stainless Steel gas tank for fuel injected engines with fuel pump and mounting hardware brushed finish . . . . .	Ea	\$1185.94
8758	59-60 Custom Stainless Steel gas tank for fuel injected en- gines with fuel pump and mounting hardware brushed finish . . . . .	Ea	\$1185.94
8759	61-64 Custom Stainless Steel gas tank for fuel injected en- gines with fuel pump and mounting hardware brushed finish . . . . .	Ea	\$1166.28
8760	Tube style sending unit 0-30 ohm for stock gauge . . . . .	Ea	\$115.00
8761	Float arm style sending unit 0-30 ohm for stock gauge . . . . .	Ea	\$115.00
8762	Tube style sending unit 0-90 ohm. . . . .	Ea	\$115.00
8763	Float arm style sending unit 0-90 ohm. . . . .	Ea	\$115.00

## GAS TANK STRAPS AND HARDWARE . . . . .

### . . . . . 01.200

5399	55-72 Gas tank strap bolts and nuts (4 pieces) . . . . .	Ea	\$12.00
5400	55-72 Gas tank strap reinforcement washer (2 required) . . . . .	Ea	\$6.00
1026C	58 Full Size gas tank strap set with hardware & anti-squeak pad, tinned steel. . . . .	Set	\$50.60

All prices subject to change without notice. Any installed part is not returnable

# Page 8 Show-Cars.com 1-24 Catalog

- 1026B 59-60 Full Size gas tank strap set with hardware & anti-squeak pad, tinned steel . . . . . Set \$50.60
- 3077 59-60 El Camino/Station Wagon gas tank strap set with hardware & anti squeak pad, tinned steel . . . . . Set \$46.00
- 8306 59-60 El Camino/Station wagon gas tank strap set with hardware & anti-squeak pad, stainless steel. . . . . Set \$54.50
- 1026 61-64 Full Size gas tank strap setp with hardware & anti squeak pad, tinned steel . . . . . Set \$50.95
- 8122 61-64 Full size gas tank straps with hardware and anti squeek pads, stainless steel . . . . . Set \$70.60
- 5402 65-66 Full size gas tank straps with hardware & anti squeak pad, tinned steel . . . . . Set \$99.66
- 5403 67 Full size gas tank straps with hardware and anti squeek pad, tinned steel . . . . . Set \$72.60
- 5404 68-70 Full size gas tank straps with hardware and anti squeek pads, tinned steel. . . . . Set \$66.00
- 1026D Gas tank strap anti-squeak pads and glass setting tape 1-3/4"x10' roll, rubber . . . . . Ea \$14.25
- 8129 61-64 Gas tank strap, steel . . . . . Ea \$11.00
- 8130 61-64 Gas tank strap, stainless steel . . . . . Ea \$20.00
- 8131 61-64 Bolts and nuts for gas tank straps, stainless steel (4Pc) . . . . . Set \$15.00
- 8132 61-64 Re-inforcement washer for gas tank straps, stainless steel . . . . . Ea \$10.00

## GAS TANK FILLER NECK . . . . . 01.200



### Show Cars Part #1026E

- 1026E 58-64 Gas tank filler hose with GM ID . . . . . Ea \$24.00
- 5005 58-64 gas tank filler hose tower clamp . . . . . Ea \$3.30
- 7388 61&63 Gas tank filler neck, does not fit 62 . . . Ea \$66.50
- 7389 64 Gas tank filler neck . . . . . Ea \$49.95
- 5348 61-63 gas tank filler neck grommet . . . . . Ea \$18.50
- 5348A 64 gas tank filler neck grommet . . . . . Ea \$7.95

## GAS CAPS . . . . . 01.270

- 1028 58-63 Gas cap vented . . . . . Ea \$10.95
- 1028B 64-69 Gas cap vented . . . . . Ea \$10.95



### Show Cars Part #1028A

- 1028A 58-63 Locking gas cap, vented . . . . . Ea \$19.50
- 1028C 64-69 Locking gas cap, vented . . . . . Ea \$16.45

## GAS FILTERS AND ACCESSORIES 01.300

- 7303 56-Ealy 58 AC domed style gas filter . . . . . Ea \$64.95
- 1155 58-64 Gas filter, glass bowl, filter and gasket, no return . . . . . Set \$45.00
- 7484 63-64 Glass bowl with return line 3-hole filter assembly, 340HP, 400HP, 425 HP 409 . . . . . Set \$75.00
- 8315 Fuel bowl adapter, Edelbrock 2x4 carb fuel line kit, use with part #7376 . . . . . Ea \$15.00
- 4853 58-70 Fuel filter fitting, all with internal filter . . . . . Ea \$26.00
- 4854 58-70 Fuel filter fitting gasket, all with internal filter . . . . . Ea \$4.95
- 4855 58-70 Fuel filter spring , all with internal filter. . . . . Ea \$2.45
- 4856 58-70 Fuel filter, all with internal filter. . . . . Ea \$5.95



### Show Cars Part #9063

- 9063 In line fuel filter with bracket, can be used with Z-11 fuel lines Ea . . . . . \$24.00
- 7217 63 409 Z-11 Fuel filter . . . . . Ea \$69.50
- 7218 63-65 Corvette 327 300hp fuel filter bracket, bolts on intake . . . . . Ea \$29.50

Go to Show-Cars.com for updates and many more pictures



# 507-233-1958 Fax 507-354-1959 1-24 Catalog 9

## GAS FILTER ELEMENTS..... 01.300

1155A	58-64 without return	Ea	\$6.00
1155B	63-65 with return line	Ea	\$10.95
1155G	58-64 filter bowl gasket	Ea.	\$3.85
1155C	58-64 Glass filter bowl only	Ea	\$22.35

## CARBURETOR REBUILD KITS.... 01.400

2264A	58-61 Carb rebuild kit 348 3x2 front or rear carb	Kit	\$60.00
2264	58-68 Carb rebuild kit, 283 1x2, 348 3x2 Center Rochester carb	Kit	\$71.00
2262	50-62 6 cylinder carb rebuild kit, Rochester B, BC carb	Kit	\$109.00
2268	55-61 Carb rebuild kit 2x4 Carter WCFB.	Ea	\$107.00
2276	55-67 8 cylinder 265-283 Carter WGD	Ea	\$98.00
2266	56-67 8 cylinder 283-327-348 Rochester 4G and 4GC	Ea	\$88.00
2286	57-62 6 cylinder Rochester B,BC,BV.	Ea	\$61.00
2270	58-64 all AFB	Ea	\$109.00
7580	Edelbrock carb re-build kit, parts and gaskets for square bore carbs	Kit	\$55.95
2260	58-65 8 cylinder 283-327-348 Carter WCFB.	Ea	\$95.00
2280	58-69 8 cylinder 283-327 Rochester 2G and 2GV	Ea	\$71.00
2278	63-65 8 cylinder 409 Rochester 4GC	Ea	\$96.00
2284	63-67 6 cylinder 230-250 Rochester B,BC, BV	Ea	\$61.00
7164	3x2 2G & 2GC .058 jets	Ea	\$12.00
7165	3x2 2G & 2GC .060 jets	Ea	\$12.00
7166	3x2 2G & 2GC .062 jets	Ea	\$12.00
7167	3x2 2G & 2GC .064 jets	Ea	\$12.00
8842	Carb float all Carter AFB	Ea	\$24.00
8844	Carb float all Rochester 2G and 2GC	Ea	\$24.00

## INTAKE MANIFOLDS..... 01.450

*Note: Center to center carb spacing on Offenhauser 2x4 intakes vary from 7-5/8" to 7-3/4". (GM and Edelbrock spacing is 6-7/16") When ordering an air cleaner for Offenhauser, make sure you measure your intake*

7364	Edelbrock 348/409 2x4 large port.	Ea	\$549.95
7514	Edelbrock 348/409 small port 1x4 aluminum intake.	Ea	\$566.95
7515	Edelbrock 348/409 large port 1x4 aluminum intake	Ea	\$562.95
OF5492	348/409 Low profile, 2x4 Offenhauser intake manifold, for all 348 and low performance 409 heads, drilled for AFB & Holley carburetors.	Ea	\$720.00
OF5695	348/409 high profile, 2x4 Offenhauser intake manifold, for all 348 and low performance 409 heads, drilled for AFB & Holley carburetors.	Ea	\$895.00
6126	Offenhauser cross ram (use with a 2x4 intake set) Raises carbs 3-3/4 "	Set	\$429.00
6127	Offenhauser cross ram linkage	Ea	\$299.00

7878	348/409 Offenhauser 4x2 intake for all 348 and low performance 409 heads 3 bolt carbs	Ea	\$419.00
7313	Gasket for 2GC 4 hole to 3 hole adapter.	Ea	\$3.75
6684	348/409 Water tee for Offenhauser intakes.	Ea	\$48.50
1096A	By pass hose for Offenhauser intakes and GM 3x2 intakes	Ea	\$17.00
7314	Small block offenhauser 2x4 intake (283, 327 early 350 & 400)	Ea	\$675.00
7686	Small block Edelbrock 3x2 intake	Ea	\$473.95
8659	Edelbrock small block 3x2 intake non EGR ( for Edelbrock 94 3 bolt carbs.	Ea	\$514.95
8813	Small block Edelbrock Carb & Intake kit. (Includes carbs, intake, fuel lines, fuel filter, linkage and air cleaners.	Kit	\$1810.00
7876	283/327/350 Edelbrock 4x2 intake (3 bolt)	Ea	\$695.00
7877	283/327/350 Edelbrock 4x2 intake (4 bolt)	Ea	\$363.99
7263	Small block Offenhauser 3x2 intake for small bore carbs	Ea	\$645.00
7836	Small block Offenhauser 6x2 intake.	Ea	\$835.00
6812	348/409 Intake manifold oil splash guard for all 348/409 GM intakes	Ea	\$44.00
8020	348 Intake plug with "L" markings	Ea	\$13.20
1100	348/409 Intake bolts with correct "AP" head markings for engines with cast iron intakes	Set	\$20.57
1101	348/409 Hi perf intake bolts standard hardware, black	Set	\$20.57
1101A	348/409 Hi perf intake bolts "FP" markings, zinc plated	Set	\$33.83
6603	348/409 6x2 intake bolts.	Set	\$24.70
6079	348/409 Intake oil pan deflector rivets	Set	\$5.50

## ROCHESTER CARBURETORS.... 01.500

*Carbs are Rochester 2G's rebuilt to run as a 3x2 set. They are Dyno Tested. The front and rear carbs do not have an idle mixture circuit. The center carb has the idle mixture circuit that provides the fuel/air mixture for all conditions from idle to wide open throttle.*

*Note: Carburetors are not returnable, they will be repaired or replaced at the manufacturers discretion. No refunds.*

8829	58 Rebuilt Rochester 3x2 carb set. Front fuel inlets.(Need 6488 bracket for vacuum linkage) Carburetors are not returnable, they will be repaired or replaced at the manufacturers discretion. No refunds.	Set	\$1,295.00
------	--	-----	------------

**All prices subject to change without notice. Any installed part is not returnable**



- 8828 59-61 Rebuilt Rochester 3x2 carb set. Side frul inlets (Need 6488 bracket for vacuum linkage) *Note: Carburetors are not returnable, they will be repaired or replaced at the manufacturers discretion. No refunds.* . . . . Set \$1,295.00
- 7229 Rebuilt Rochester 2G small block big bore carburetors (set of 3) *Note: Carburetors are not returnable, they will be repaired or replaced at the manufacturers discretion. No refunds.* . . . . . Set \$1200.00
- 9022 58-61 Carburetor modification for use with vacuum linkage. . . . . Ea \$100.00

## CARTER/EDELBROCK CARBURETORS. . . 01.500

*Note: Edelbrock carburetors are not modified for 348/409 original type fuel lines and linkage. To add modifications, add 1 #7579 for each carburetor ordered.*

*Note: Carburetors are not returnable, they will be repaired or replaced at the manufacturers discretion. No refund.*

- 7873 Edelbrock 94 carburetor 2 barrel, 3 bolt flange (secondary) *Note: Carburetors are not returnable, they will be repaired or replaced at the manufacturers discretion. No refunds.* Ea. . . . . \$404.95
- 5895 58-65 348-409 Blank Carb tags triangle aluminum . . . . . Ea \$19.25

*Note: Edelbrock carbs are not modified for 348/409, use 7579*

- 7102 Edelbrock AFB 500 CFM with manual choke *Carburetors are not returnable, they will be repaired or replaced at the manufacturers discretion. No refunds .*

- . . . . . Ea \$422.95
- 7103 Edelbrock AFB 500 CFM with electric choke *Note: Carburetors are not returnable, they will be repaired or replaced at the manufacturers discretion. No refunds.* . . . . . Ea \$478.95
- 7628 Edelbrock 1802 Thunder series 500 CFM, man choke calibrated for 1x4 operation *Note: Carburetors are not returnable, they will be repaired or replaced at the manufacturers discretion. No refunds.* . . . . . Ea \$459.95
- 6071 Edelbrock AFB 600 CFM with manual choke *Note: Carburetors are not returnable, they will be repaired or replaced at the manufacturers discretion. No refunda* . . . . . Ea \$394.95
- 6240 Edelbrock AFB 600 CFM with electric choke *Carburetors are not returnable, they will be repaired or replaced at the manufacturers discretion. No refunds .* Ea \$432.95
- 3913 Edelbrock AFB 500 CFM also fits Offenhauser intakes, one front & one rear with manual choke *Carburetors are not returnable, they will be repaired or replaced at the manufacturers discretion. No refunds.* . . . . . Set \$845.90
- 3913E Edelbrock AFB 500 CFM also fits Offenhauser intakes, one front & one rear w/electric choke *Carburetors are not returnable, they will be repaired or replaced at the manufacturers discretion. No refunds.* . . . . . Set \$901.90
- 7356 Edelbrock thunder series500 CFM, square flange electric choke, calibrated for 2x4 applications *Carburetors are not returnable, they will be repaired or replaced at the manufacturers discretion. No refunds.* . . . . . Ea \$492.95
- 7357 Edelbrock thunder series500 CFM, square flange manual choke, calibrated for 2x4 applications *Carburetors are not returnable, they will be repaired or replaced at the manufacturers discretion. No refunds.* . . . . . Ea \$452.95
- 7369 Edelbrock thunder series500 CFM, square flange electric choke, calibrated for 2x4 applications Endura Shine *Carburetors are not returnable, they will be repaired or replaced at the manufacturers discretion. No refunds* . . . . . Ea \$629.95
- 9183 Edelbrock AVS 2 500 CFM Satin Finish *Carburetors are not returnable, they will be repaired or replaced at the manufacturers discretion. No refunds.* . . . . . Ea \$502.95
- 7368 Edelbrock thunder series500 CFM, square flange manual choke, calibrated for 2x4 applications, Endura Shine *Carburetors are not returnable, they will be repaired or replaced at the manufacturers discretion. No refunds* . . . . . Ea \$515.49
- 7372 Edelbrock Thunder series 650 CFM, square flange, manual choke *Carburetors are not returnable, they will be repaired or replaced at the manufacturers discretion. No refunds* . . . . . Ea \$407.95
- 7460 Edelbrock Thunder series 750 CFM, square flange. manual choke *Carburetors are not returnable, they will be repaired or replaced at the manufacturers discretion. No refunds* . . . . . EA \$451.95

**Go to Show-Cars.com for updates and many more pictures**

# 507-233-1958 Fax 507-354-1959 1-24 Catalog 11

- 7373 Edelbrock Thunder series 750 CFM, electric choke *Carburetors are not returnable, they will be repaired or replaced at the manufacturers discretion. No refunds*  
 ..... Ea \$473.95
- 7461 Edelbrock 750 CFM, square flange, electric choke *Carburetors are not returnable, they will be repaired or replaced at the manufacturers discretion. No refunds*  
 ..... Ea \$494.95
- 7579 Shop modification of fuel line and linkage on Edelbrock carbs  
 ..... Ea \$27.49
- 6169 58-65 348/409 1x4 adapter for aftermarket AFB or Holley to cast iron 348 car or truck intake, and 409 truck intake.  
 ..... Ea \$79.95
- 6600 Rochester 2GC 3 hole to 4 hole adapter ..... Ea \$40.00
- 9045 Quad velocity stack 4-3/16 x 1 1/2 high ..... Ea \$99.00
- 9046 Quad velocity stack 5 x 1 1/2 high ..... Ea \$99.00

## CARBURETOR HARDWARE..... 01.510

- 7162 3x2 Idle mixture screws for Rochester 2GC carbs  
 ..... Ea \$9.00
- 7163 3x2 Rochester 2G & 2GC vent & choke shaft plug  
 ..... Ea \$2.00
- 8842 Carb float all Carter AFB ..... Ea \$24.00
- 8844 Carb float all Rochester 2G and 2GC ..... Ea \$24.00
- 7164 3x2 Rochester 2G & 2GC .058 jets ..... Pr \$12.00
- 7165 3x2 Rochester 2G & 2GC .060 jets ..... Pr \$12.00
- 7166 3x2 Rochester 2G & 2GC .062 jets ..... Pr \$12.00
- 7167 3x2 Rochester 2G & 2GC .064 jets ..... Pr \$12.00
- 3106 Hollow carburetor stud with nut for vacuum lines  
 ..... Ea \$13.20
- 3229 58-64 carburetor studs & nuts for 1 carburetor  
 ..... Set \$16.75
- 6742 58-65 Long carb studs, nuts & washers for use with adapter  
 ..... Set \$16.75
- 6489 58-61 Vacuum switch bracket 348 3x2 center carb driver side  
 Ea ..... \$20.63
- 7319 58-61 Vacuum pod control assembly 3x2 ..... Ea \$139.00
- 5440 58-61 3x2 vacuum pod bracket and return spring bracket  
 ..... Ea \$53.50
- 1045 Carter AFB carb fitting ..... Ea \$15.68
- 7326 Carter AFB carb fitting inlet screen ..... Ea \$4.95
- 8843 Fuel fitting for Edelbrock 94 carb. .... Ea \$19.95
- 5895 58-64 Triangular Carb tag, blank ..... Ea \$17.50

## CARBURETOR GASKETS/ADAPTERS ... 01.520

- 3881 58-61 348 3x2 carb. gaskets ..... Ea \$4.95
- 3320A 58-64 Carter AFB base gasket ..... Ea \$6.05
- 3321 60-65 Rochester 4GC base gasket large bore .. Ea \$6.95
- 6704 58-61 4GC Base Gasket fits car & truck intake small bore  
 ..... Ea \$6.75
- 7230 2G and 2GC 1/2" phenolic spacer ..... Ea \$32.16
- 7261 AFB 1x4 Phenolic carb spacer 1/2" ..... Ea \$54.00

- 3320 59-64 AFB metal shim for 1x4 - this metal shim (3320) and 2 3320A gaskets can be used for a vacuum adapter block off plate for the use of after market AFB's on all GM alum. intakes. .... Ea \$10.25
- 6169 58-65 348/409 1x4 adapter for after-market AFB or Holley to cast iron car or truck intake. .... Ea \$30.00
- 7028 63-65 340hp spacer for cast manifold to AFB .  
 ..... Ea \$79.95

## CARBURETOR RODS ..... 01.530

- 5639 58-61 Accelerator pump rod, 348 3x2 front carb.  
 ..... Ea \$13.92
- 6478 58-61 Accelerator pump rod, 348 3x2 center carb.  
 ..... Ea \$113.92
- 6480 58-61 Choke trip rod 348 3x2 center carb. .... Ea \$32.95
- 5451 59-61 Choke lock out rod with clips 348 3x2. . Ea \$24.20
- 6482 58-61 Choke lock out lever 348 3x2 front carb. Ea \$19.80
- 6479 58-61 Accelerator pump rod, 348 3x2 rear carb.  
 ..... Ea \$14.25
- 6740 AFB Passenger side choke linkage rod. .... Ea \$19.80
- 6741 AFB Driver side choke linkage rod. .... Ea \$19.80

## CARBURETOR LEVERS ..... 01.540

- 6483 58-61 Throttle shaft lever 348 3x2 front carb driver side  
 ..... Ea \$33.88
- 6483R 58-61 Throttle shaft lever 348 3x2 rear carb driver side  
 ..... Ea \$16.84
- 6484 58-61 Throttle shaft lever 348 3x2 front carb pass. side round hole  
 ..... Ea \$16.84
- 7100 58-61 Throttle shaft lever 348 3x2 rear carb pass. side slotted hole  
 ..... Ea \$15.40
- 6485 58-61 Throttle shaft lever 348 3x2 center carb driver side  
 ..... Ea \$33.88
- 6487 58-61 Choke lock out lever 348 3x2 center carb driver side  
 ..... Ea \$25.41
- 6488 58-61 Vacuum switch lever 348 3x2 center carb driver side  
 ..... Ea \$25.41

## CARBURETOR SHAFTS ..... 01.550

- 6708 62-64 Throttle shaft front carb on 2x4 AFB 3361S  
 ..... Ea \$89.00
- 6709 62-64 Throttle shaft rear carb on 2x4 AFB 3342S and 3804S  
 ..... Ea \$89.00
- 6486 58-61 Fast idle cam 348 3x2 center carb driver side  
 ..... Ea \$22.98
- 7158 3x2 Extended throttle shaft for 2G & 2GC Carbs with .040 slot  
 ..... Ea \$19.99
- 8355 3x2 Extended throttle shaft for 2G & 2GC carbs with .080 slot  
 ..... Ea \$23.00
- 7159 3x2 Linkage arms w/3/16 pin hole for 2G carbs with Extended shafts ..... Ea \$8.80

*For Bolts, Clips, and Screws please turn to group 25*

**All prices subject to change without notice. Any installed part is not returnable**

# Page 12 Show-Cars.com 1-24 Catalog

## CARBURETOR LINKAGE ..... 01.700

6797	58-up 3x2 Progressive linkage for small block. ..... Kit	\$97.90
5450	58-61 348 3x2 Progressive linkage kit ..... Kit.	\$60.45
8654	3 x 2 linkage for Edelbrock 94 Carbs ..... Set	\$181.95
7156	3x2 Progressive ball bearing linkage for carbs with 3 long shafts (Shafts not included)..... Set	\$129.50
7157	3x2 Progressive ball bearing linkage for carbs with 1 long shaft (Shaft not included) ..... Set	\$109.50
7160	3x2 Linkage arms w/1/4 pin hole for 2G carbs with Extended shafts ..... Ea	\$9.90
7168	3x2 2GC center carb long arm ..... Ea	\$13.20
1044A	58-61 2x4 small block..... Kit	\$101.64
4262	58-64 Accelerator linkage rod. 348 1x4, 327/300 hp, 409 340hp, 409/380hp..... Ea	\$36.20
1044	62 2x4 409..... Set	\$73.21
1043	63-64 2x4 409..... Set	\$73.21
9224	Carb linkage bushing kit..... Kit	\$9.95

### Complete sets include all pieces with springs and brackets

2x4 AFB Carb Linkage Kits, original Chevrolet Detail each kit has 20 pieces front rod, rear rod, sliding clevis, stainless steel cotter pins, swivel, adjusting clevis, shim washers, spring washers, sleeves, rubber bushing, jam nut, front and rear return springs and spring brackets kits.

5303	62 2x4 Carburetor linkage with hardware (Includes 1044, 1047, and [2] 1047B)..... Set	\$101.64
5304	63-64 2x4 Carburetor linkage with hardware (Includes 1043, 1047, 1047B rear zinc, and 1048 front chrome)..... Set	\$104.73
5305	64 2x4 Carburetor linkage with hardware-2nd Design (Includes 1043, and 1047A)..... Set	\$79.21



## Show Cars Part #6321

6321	Hot Rod 2x4 Linkage: 2x4 AFB Carb Linkage Kits, made in the USA, for use where original Chevrolet Detail is not needed. Each kit has 20 pieces: front rod, rear rod, sliding clevis, stainless steel cotter pins, swivel, adjusting clevis, shim washers, spring washers, sleeves, rubber bushing, jam nut, front and rear return springs and spring brackets. Kits will
------	--

also work with aftermarket Carter and Edelbrock AFB carbs.

7375	Edelbrock 2x4 progressive linkage..... Ea	\$89.95
7254	348/409 4x2 linkage (Available only with carburetor and intake set up)..... Ea	\$165.00
8525	61-64 Accelerator linkage rod thru firewall with center pivot..... Ea	\$34.50

### Individual Carburetor Linkage pieces.

5454	58-61 Front to Rear with clips vacuum and Progressive throttle rod (passenger side) 3x2 ..... Ea.	\$29.04
5455	58-61 Progressive throttle rod (driver side) 3x2 ..... Ea	\$19.36
5456	58-61 Progressive throttle rod stop 3x2 ..... Ea	\$7.26
5457	58-61 Progressive throttle rod swivel 3x2 .... Ea	\$12.10
7319	58-61 Vacuum pod control assembly 3x2. .... Ea	\$139.00
5639	58-61 3x2 Front carb accelerator pump rod with clips. .... Ea	\$12.65
6050	58-64 linkage swivel for 1x2, 1x4, 3x2 1/4-28 threads ..... Ea	\$20.27
6051	58-64 linkage swivel for 1x2, 1x4, 3x2 1/4-32 threads ..... Ea	\$20.27
5458	58-61 Weld on lever 3x2 for A/T T/V Rod .... Ea	\$7.26
5477	58-61 Vacuum diaphragm to front carburetor linkage rod 3x2with clips..... Ea	\$24.20
5451	58-61 3x2 choke lock out rod ..... Ea	\$22.00
7000	58-64 348/409 accelerator linkage rod, all 1x4, 12 3/4" use with 6050 swivel..... Ea	\$36.24
4808	58 accelerator linkage rod carb to firewall 348 3x2 13 3/8" OAL ..... Ea	\$30.20
6396	59-60 accelerator linkage rod carb to firewall 348 3x2 12.5" OAL ..... Ea	\$30.20
6397	61 accelerator linkage rod carb to firewall 348 3x2 13.5" OAL ..... Ea	\$30.20
6398	58-64 accelerator linkage rod carb to firewall 283/327 1x2 2GC 11" OAL..... Ea	\$30.20
6399	58-64 Accelerator linkage swivel clip LH used on carb end ..... Ea	\$1.87
6400	58-64 Accelerator linkage rod swivel clip RH ..... Ea	\$1.87
4262	58-64 accelerator rod carb to firewall all small block with 4 Barrel, 12" OAL, 348 - 1x4..... Ea	\$27.45
6050	58-64 swivel 1x2, 1x4 linkage with 1/4-28 threads ..... Ea.	\$15.35
6051	58-64 swivel 1x2, 1x4 linkage with 1/4-32 threads ..... Ea.	\$15.35
6399	58-64 Accelerator linkage swivel clip LH used on Carb end Ea	\$1.70
6400	58-64 Accelerator linkage swivel clip RH .... Ea	\$1.70
3110	#1 62-64 1/4 ..... x 7" hex head front rod 2x4..... Ea	\$12.05
3110A	#1 62-64 1/4 x 8" hex head front rod 2x4 for after market carbs ..... Ea	\$12.05
3111	#2 62 rear rod 2x4 carb to firewall ..... Ea	\$24.63
3111A	#2 63-64 rear rod 2x4 carb to firewall ..... Ea	\$20.52
3112	#3 62-64 sliding clevis assembly 2x4..... Ea	\$16.89

Go to Show-Cars.com for updates and many more pictures

# 507-233-1958 Fax 507-354-1959 1-24 Catalog 13

3113	#6 62-64 swivel 2x4 linkage 1/4-28 threads. . . Ea	\$20.27
3113A	#6 62-64 swivel 2x4 linkage 1/4-32 threads. . . Ea	\$20.27
3114	#7 62-64 adjusting clevis 2x4. . . . . Ea	\$20.27
3115	#9 62-64 3/32 x 1/2 inch cotter pin, stainless steel 2x4 ..... Ea	\$2.20
3116	#10 62-64 1/16 x 1/2 inch cotter pin, stainless steel 2x4 ..... Ea	\$2.20
3117	#11 62-64 1/4 inch shim washer 2x4 . . . . . Ea	\$2.20
3118	#12 62-64 1/4 inch spring washer 2x4 . . . . . Ea	\$2.64
3119	#13 58-64 Nylon sleeve . . . . . Ea	\$2.42
3120	#14 58-64 Rubber bushing . . . . . Ea	\$3.03
3121	#15 62-64 1/4 inch jam nut 2x4 . . . . . Ea	\$2.42
3121A	Front rod shaft collar for hot rod linkage . . . . . EA	\$3.00
3113A	62-64 swivel 2x4 linkage with 1/4-32 threads . Ea.	\$15.35

## RETURN SPRINGS . . . . . 01.730

*Color coded according to application.*

1044B	58-61 3x2 Neutral color . . . . . Ea	\$7.93
6896	58-61 3x2 return spring mounted on carburetor shaft. ..... Ea	\$7.65
1046	58-64- except 3x2 & 2x4 models - white color ..... Ea	\$7.93
1047	62-63 2x4 409 - tan & neutral clr(#4 & #5 on linkage draw- ing) . . . . . Pr	\$14.56
1047A	64 409 2x4 return spring. . . . . Ea	\$7.21

## RETURN SPRING BRACKETS . . . . 01.730

5440	58-61 3x2 vacuum pod bracket and return spring bracket ..... Ea	\$39.60
1047C	56-61 Return spring front and rear, small block, 2X4 ..... Ea.	\$20.32
1047B	62-64 bracket for front & rear except 63 front . ..... Ea	\$10.31
5440	58-61 3x2 vacuum pod bracket and return spring bracket ..... Ea	\$39.60
1048	63 chrome return spring bracket front . . . . . Ea	\$14.64
6802	Hot Rod linkage return spring set. . . . . Ea	\$14.56

## FUEL PUMP REBUILD KITS . . . . . 01.800

3150	AC 58 #4430 283 . . . . . Kit	\$54.50
3151	AC 58 #4432 348 1x4. . . . . Kit	\$54.50
3152	AC 58 #4445 Corvette 1x4 . . . . . Kit	\$54.50
3153	AC 58 #4490 348 3x2 with vac . . . . . Kit	\$54.50
3155	AC 58-64 #4657 V8 Corvette & 62 409 . . . . . Kit	\$54.50
3154	AC 59-64 #4656 high performance . . . . . Kit	\$54.50
3156	AC 59-64 #4701 283. . . . . Kit	\$54.50
3157	AC 60-61 #4799 348 high performance . . . . . Kit	\$54.50
3158	AC 62-65 #6842 409. . . . . Kit	\$54.50
3159	AC 64 #6942 283 . . . . . Kit	\$54.50

## FUEL PUMPS . . . . . 01.850

4278A	Replacement fuel pump all 348/409, will not work with origi- nal hard fuel lines . . . . . Ea	79.95
4278	348/409 Lo and Hi performance fuel pump. New, can be	

rebuilt (uses SC 3155 re-build kit). . . . . Ea	\$115.00	
9050	348/409 Fuel pump, chrome . . . . . Ea	\$74.00
7376	Edelbrock 2x4 fuel line. . . . . Set	\$89.95
7875	348/409 Edelbrock high performance street fuel pump (6psi up to 600 hp). . . . . Ea	\$168.95
8314	Pipe thread adapter, 3/8 male to 1/4 female, use with fuel pump #7875 Ea . . . . .	\$5.00
8315	Fuel bowl adapter, Edelbrock 2x4 carb fuel line kit, use with part #7376. . . . . Ea	\$15.00

## FUEL PUMP HARDWARE AND ACCESSORIES . . . . . 01.870

7211	58 348 3x2 fuel pump adapter and push rod . . ..... Ea	\$125.00
3581	All V8 fuel pump gasket. . . . . Ea	\$3.90
3582	All V8 fuel pump plate to block gasket . . . . . Ea	\$2.29
3220	All V8 fuel pump push rod . . . . . Ea	\$17.50
7231	348/409 fuel pump push rod, light weight for cast camshafts. ..... Ea	\$24.95
7231A	348/409 fuel pump light weight push rod bronze tip for steel roller cams . . . . . Ea	\$21.95
5459	Fuel pump mounting plate, chrome . . . . . Ea	\$10.84
5960	58-65 fuel pump block off plate with gasket. Chrome steel ..... Ea	\$7.99
8744	58-65 Fuel pump block off plate with gasket. Cast finned aluminum . . . . . Ea	\$10.00
1159	Fuel pump bolts and washers - AC Delco pumps only ..... Set	\$9.65

*For Bolts, Clips, and Screws please turn to group 25*

**All prices subject to change without notice. Any installed part is not returnable**

## Engine External 02

*Reproduction Air Cleaners crafted to perfection. These are made of steel and are highly detailed and better than the original showroom quality. Comes complete with filter element. Carburetor studs, wing nuts, and decals are available seperately.*

**AIR CLEANERS SMALL BLOCK REPRODUCTION . . . . . 02.050**



**Show Cars Part #6871**

- 6871 62 Small block 1x4 Air Cleaner with 1 trumpet snorkel, 4" base (Black) . . . . . Ea \$229.00
- 6872 62 small block 1x4 Air Cleaner with 1 trumpet snorkel, 5" base used with after market AFB(Black) . . . . . Ea \$259.00
- 6420 63 327 300hp Air Cleaner, 1 trumpet snorkel, 4" base(Black) . . . . . Ea \$249.00
- 6873 63 Small block 1x4 Air Cleaner with 1 trumpet snorkel 5" base used with aftermarket AFB(Black) . . . . . Ea \$259.00
- 6874 64-65 Small block Air Cleaner 1 trumpet snorkel 5" base, 1" vent (Black). . . . . Ea \$239.00
- 6425 64-65 327 300hp Air Cleaner 1 trumpet snorkel, 4" base, 1" vent (Black). . . . . Ea \$249.00

**AIR CLEANERS, SMALL BLOCK CUSTOM. . . . . 02.051**

- 7116 Small Block 3x2 oval Air Cleaner, chrome 21"x10"x2" (5.5" center to center). . . . . Ea \$259.00
- 7117 Small Block 3x2 oval Air Cleaner finned aluminum. 21"x10"x2" (5.5" center to center). . . . . Ea \$199.00
- 9153 Small Block 3x2 oval Air Cleaner finned aluminum orange powder coat. 21"x10"x2" (5.5" center to center) . . . . . Ea \$199.00

- 7625 Edelbrock 1x4 air cleaner. Pro Flo oval chrome signature series. Fits new AFB (Edelbrock) carburetors. Will fit original AFB using #4274A adapters. . . . . Ea \$121.95
- 8100 Edelbrock Classic series round air cleaner with name 1x4 5-1/8" 3" high . . . . . Ea \$225.95
- 4274 58-64 6-1/2" air cleaner open face for 1x4 and 2x4 after market AFB carburetors- use 4724A for use on stock GM AFB carbs . . . . . Ea \$29.95
- 5784 58-up Chrome air cleaner fits all 1x4 carbs w/5 1/8 opening . . . . . Ea \$45.00

**AIR CLEANERS, 348 REPRODUCTION . . . 02.052**



## Show Cars Part #4500

- 4500 58 Black Air Cleaner 348 3x2 (early with star burst lid) with silencers for cars built before 10-22-57 . . . . . Ea \$1076.90
- 7214 58 Black Air Cleaner 348 3x2 (early with star burst lid) with silencers for cars built before 10-22-57 (Imported, please note, these have imperfections and will need to be re-worked and re-painted to be show quality. Have no hold down brackets for front and rear carburetors) . . . . . Ea \$679.00
- 2047C 58 Black 348 3x2 Air Cleaner (late with smooth lid) with silencers for cars built after 10-22-57 . . . . . Ea \$1076.39
- 8513 58 Black 3x2 Air Cleaner for cars with air conditioning . . . . . Ea \$1320.00
- 2047B 59-61 Black 348 3x2 Air Cleaner with silencers . . . . . Ea \$1076.90
- 7215 59-61 Black 348 3x2 Air Cleaner with silencers (Imported, please note, these have imperfections and will need to be re-worked and re-painted to be show quality. Have no hold down brackets for front and rear carburetors). . . . . Ea \$679.00
- 6419 58-62 1x4 Air Cleaner with 2 duck-bill snorkels, 5" base. 59-60 348 320hp, 61 409 360hp, 62 409 380hp(Black) . . . . . Ea \$469.00
- 6852 58-61 1x4 Air Cleaner with 1 duck-bill snorkel, 4" base. All V8 except 59-60 348 320hp (Black). . . . . Ea \$239.00
- 6853 58-61 1x4 Air Cleaner with 1 duck-bill snorkel, 5" base. All V8 with after market AFB (Black) . . . . . Ea \$239.00
- 6419 58-62 1x4 Air Cleaner with 2 duck-bill snorkels, 5" base. 59-60 348 320hp, 61 409 360hp, 62 409 380hp(Black) . . . . . Ea \$379.00

**Go to Show-Cars.com for updates and many more pictures**

# 507-233-1958 Fax 507-354-1959 1-24 Catalog 15

## AIR CLEANERS, 348 CUSTOM . . . 02.053

- 6922 58 Black Air Cleaner 348 3x2 (early with star burst lid )  
with air no silencers, flat bottom . . . . . Ea \$679.00
- 6923 58 Black 348 3x2 Air Cleaner (late with smooth lid)no silencers  
flat bottom for cars built after 10-22-57 . . . Ea \$746.90
- 5784 58-up Chrome air cleaner fits all 1x4 carbs w/5 1/8 opening  
. . . . . Ea \$45.00
- 4274 58-64 6-1/2" air cleaner open face for 1x4 and 2x4 after market  
AFB carburetors- use 4724A for use on stock GM AFB  
carbs . . . . . Ea \$25.95
- 6920 59-61 Black 348 3x2 air cleaner no silencers flat bottom  
. . . . . Ea \$746.90
- 5661 58-61 Chrome louvered Air Cleaner for 3x2, 4" diameter  
. . . . . Ea \$24.95
- 5661A 58-61 Chrome open face Air Cleaner for 348 3X2 4" diameter  
. . . . . Ea \$19.95
- 6353 58-61 Chrome smooth pot Air Cleaner for 348 3X2 4" diameter  
. . . . . Ea \$16.95
- 7874 Edelbrock 94 round chrome Cir Cleaner 2-5/8Ea Call
- 9097 Oval finned aluminum 3x2 21x10x2 orange. . . Ea \$259.00
- 7087 Oval chrome 3x2, 21x10x2. . . . . Ea \$259.00
- 7088 Oval finned aluminum 3x2, 21x10x2. . . . . Ea \$259.00
- 7087K Oval chrome 3x2, 21x10x3 w/K & N filter . . Ea \$375.00
- 7088K Oval finned aluminum 3x2, 21x10x3 w/K & N filter  
. . . . . Ea \$375.00
- 7625 Edelbrock 1x4 air cleaner. Pro Flo oval chrome signature  
series. Fits new AFB (Edelbrock) carburetors. Will fit original  
AFB using #4274A adapters. . . . . Ea \$117.95
- 8100 Edelbrock Classic series round air cleaner with name 1x4  
5-1/8" 3" high . . . . . Ea \$225.95
- 8770 2x4 Oval aluminum air cleaner with 348 emblem. 6-7/16  
center to center 5-1/8" height (Polished) . . . . Ea \$356.95
- 8771 2x4 Oval aluminum air cleaner with 348 emblem. 6-7/16  
center to center 4-3/8" height (Polished) . . . . Ea \$376.95
- 8772 2x4 Oval aluminum air cleaner with 348 emblem. 6-7/16  
center to center 5-1/8" height (Black). . . . . Ea \$265.95
- 8773 2x4 Oval aluminum air cleaner with 348 emblem, 6-7/16"  
center to center, 4-3/8" height (Black) . . . . . Ea \$314.95

## AIR CLEANERS, 409 REPRODUCTION . . 02.054

*Reproduction Air Cleaners crafted to perfection. These are made of steel and are highly detailed and better than the original showroom quality. Come complete with filter element. Carburetor studs, wing nuts, and decals are available separately.*

- 6419 58-62 1x4 Air Cleaner with 2 duck-bill snorkels, 5" base.  
59-60 348 320hp, 61 409 360hp, 62 409 380hp(Black)

**All prices subject to change without notice. Any installed part is not returnable**



## Show Cars Part #2046

- 2046 62 Black 409 2x4 Air Cleaner. . . . . Ea \$725.95
- 2047 63 Chrome 2x4 Air Cleaner . . . . . Ea \$974.00
- 6422 63 409 400 hp Air Cleaner 2 duck-bill snorkels, 5" base, 1/2"  
vent (Chrome plated) . . . . . Ea \$439.00
- 6876 63 409 340hp Air Cleaner w/air 1 trumpet snorkel, 4" base-  
Chrome . . . . . Ea \$449.00



## Show Cars Part #2047A

- 2047A 64 Chrome 2x4 Air Cleaner . . . . . Ea \$974.00
- 6423 64-65 409 340 hp Air Cleaner 1 trumpet snorkel, 4" base, 1"  
vent (Chrome plated) . . . . . Ea \$449.00
- 6878 64-65 409 340 hp Air Cleaner 1 trumpet snorkel 5" base, 1"  
vent used with aftermarket AFB (chrome) . . . . Ea \$449.00
- 6879 64-65 409 340 hp Air Cleaner with air 1 trumpet snorkel 4"  
base 1" vent (Chrome) . . . . . Ea \$449.00
- 6880 64-65 409 340 hp Air Cleaner w air 1 trumpet snorkel 5"  
base 1" vent used with after market AFB (Chrome)  
. . . . . Ea \$449.00
- 6424 64-65 409 400hp Air Cleaner 2 duck-bill snorkel 5" base, 1"  
vent (Chrome). . . . . Ea \$439.00

# Page 16 Show-Cars.com 1-24 Catalog

## Z 11 AIR CLEANER, NEW REPRODUCTION . . . . . 02.054

*Exact copy of original Z 11 air cleaner, steel lid and base, Fiberlass cowl adapter*

9155	63 Z 11 Air Cleaner . . . . .	Ea	\$4999.00
9156	63 Z 11 Air Cleaner lid . . . . .	Ea	\$1500.00
9157	63 Z 11 Air Cleaner base . . . . .	Ea	\$3500.00
9158	63 Z 11 Air Cleaner cowl adapter . . . . .	Ea	\$500.00

## AIR CLEANERS, 409 REPRODUCTION WITH MODIFICATIONS . . . . . 02.055

*Note: Center to center carb spacing on Offenhauser 2x4 intakes vary from 7-5/8" to 7-3/4". (GM and Edelbrock spacing is 6-7/16") When ordering an air cleaner for Offenhauser, make sure you measure your intake.*

6927	62 Black 409 2x4 Air cleaner for 4" carbs on Offenhauser Intake . . . . .	Ea	\$779.85
6925	62 Black 409 2x4 Air Cleaner for 5" carbs on GM intake . . . . .	Ea	\$779.85
6926	62 Black 409 2x4 Air Cleaner for 5" carbs on Offenhauser intake, This air cleaner is special order and not returnable . . . . .	Ea	\$1,036.00
8656	62 Raw 409 2x4 Air Cleaner for 5" Carbs . . . . .	Ea	\$759.00
6928	63-64 Chrome 409 2x4 Air Cleaner for 5" carbs on GM intake . . . . .	Ea	\$1,036.00
6929	63-64 Chrome 409 2x4 Air Cleaner for 5" carbs on Offenhauser intake . . . . .	Ea	\$900.85
6930	63-64 Chrome 409 2x4 Air Cleaner for 4" carbs on Offenhauser intake . . . . .	Ea	\$1,036.00
8658	63-64 Raw 2x4 Air Cleaner for 5" carbs . . . . .	Ea	\$603.50
6875	63 409 340 hp Air Cleaner with 1 trumpet snorkel 5" base, used with after market AFB (Chrome Plated) . . . . .	Ea	\$449.00
6877	63 409 340 hp Air Cleaner w/air 1 trumpet snorkel, 5"base used with aftermarket AFB, chrome . . . . .	Ea	\$399.00
6421	63-65 409 340 HP 4" AC assembly, w/o air no vent , chrome . . . . .	Ea	\$459.00

*A note about chrome plating. There are three basic types of chrome plating. Original Equipment Manufacturer chrome, restoration show chrome and custom show chrome. OEM chrome has little or no polishing and a thin coat of copper/nickel plating (sometimes no copper undercoat). Restoration show chrome has considerable time spent on polishing, and heavy coats of copper/nickel plating. Show Cars offers resto-*

*ration show chrome guaranteed to be far superior to OEM chrome. The third type is custom show chrome. Much more time is spent polishing before a heavy coat of copper is applied, more polishing and a heavy coat of nickel. We do not offer custom show chrome. If you wish to have custom show chrome, you should consider purchasing the raw part and working with a professional custom show chrome plater of your choice.*

## AIR CLEANERS 409 CUSTOM . . . . 02.056

4274	58-64 6-1/2" air cleaner open face for 1x4 and 2x4 after market AFB carburetors- use 4724A for use on stock GM AFB carbs . . . . .	Ea	\$25.95
7625	Edelbrock 1x4 air cleaner. Pro Flo oval chrome signature series. Fits new AFB (Edelbrock) carburetors. Will fit original AFB using #4274A adapters . . . . .	Ea	\$117.95
5784	58-up Chrome air cleaner fits all 1x4 carbs w/5 1/8 opening . . . . .	Ea	\$45.00
8100	Edelbrock Classic series round air cleaner with name 1x4 5-1/8" 3" high . . . . .	Ea	\$171.95
4274A	Spacer adapter for use with 4274 air cleaners on original GM AFB's . . . . .	Ea	\$12.95
6613	409 2x4 open face Air Cleaner 4" carbs . . . . .	Ea	\$412.50
8660	409 2x4 open face Air Cleaner 5" carbs . . . . .	Ea	\$467.30
6343	62 raw 409 2x4 Air Cleaner . . . . .	Ea	\$759.00
8657	63-64 Raw 2x4 Air Cleaner for 4" carbs. no vent . . . . .	Ea	\$759.00
7175	Chrome single duck-bill Air Cleaner with 5" base . . . . .	Ea	\$459.00
6701	Edelbrock oval finned aluminum 2x4 Air Cleaner. Fits new AFB's on original intake. Also fits original AFB's on GM intake by using 4274A adapters. (13.5"x7"x3.5") . . . . .	Ea	\$119.97
6702	Edelbrock oval chromed 2x4 Air Cleaner. Fits new AFB's on original intake. Also fits original AFB's on GM intake by using 4274A adapters. (13.5"x7"x 4") . . . . .	Ea	\$115.95
7089	Oval chrome 2x4 for GM intake with original carbs (21x10x2) . . . . .	Ea	\$259.00
7090	Oval chrome 2x4 for GM intake with aftermarket carbs (21x10x2) . . . . .	Ea	\$199.00
7091	Oval chrome 2x4 for Offenhauser intake with aftermarket carbs (21x10x2) . . . . .	Ea	\$259.00
7092	Oval chrome 2x4 for Offenhauser intake with GM carbs (21x10x2) . . . . .	Ea	\$259.00
9099	Oval finned aluminum 2x4 for GM intake with aftermarket carbs (21x10x2) Orange . . . . .	Ea	\$259.00

**Go to Show-Cars.com for updates and many more pictures**





Show Cars Part #7093

- 7093 Oval finned aluminum 2x4 for GM intake with GM carbs (21x10x2) . . . . . Ea \$259.00
- 9102 Oval finned aluminum 2x4 for GM intake with GM carbs (21x10x2) Orange. . . . . Ea \$259.00
- 7094 Oval finned aluminum 2x4 for GM intake with aftermarket carbs (21x10x2) . . . . . Ea \$259.00
- 7095 Oval finned aluminum 2x4 for Offenhauser intake with aftermarket carbs (21x10x2) . . . . . Ea \$259.00
- 9101 Oval finned aluminum 2x4 for Offenhauser intake with aftermarket carbs (21x10x2) Orange . . . . . Ea \$259.00
- 7096 Oval finned aluminum 2x4 for Offenhauser intake with GM carbs (21x10x2) . . . . . Ea \$259.00
- 7358 Edelbrock classic series 2x4 finned aluminum, polished Air Cleaner. Fits Edelbrock carbs. May not fit under 59-64 full size car hood. . . . . Ea \$325.95
- 8087 Edelbrock classic series 2x4 finned aluminum, polished Air Cleaner. Fits Edelbrock carbs. Same as 7358 modified for lower profile . . . . . Ea \$331.95
- 7359 Edelbrock Classic series 2x4 finned aluminum, black Air Cleaner. Fits Edelbrock carbs. May not fit under 59-64 full size car hood. . . . . Ea \$278.95
- 8088 Same as 7359 modified for lower clearance. . . . . Ea \$260.95
- 8098 Edelbrock Classic series black oval air cleaner 1x4 5-1/8" 2.4: high . . . . . Ea \$225.95
- 8766 2x4 Oval aluminum air cleaner with 409 emblem. 6-7/16 center to center 5-1/8" height (Polished) . . . . . Ea \$356.95
- 8767 2x4 Oval aluminum air cleaner with 409 emblem. 6-7/16 center to center 4-3/8" height (Polished) . . . . . Ea \$376.95
- 8768 2x4 Oval aluminum air cleaner with 409 emblem. 6-7/16

- center to center 5-1/8" height (Black). . . . . Ea \$285.00
- 8769 2x4 Oval aluminum air cleaner with 409 emblem. 6-7/16 center to center 4-3/8" height (Black). . . . . Ea \$314.95

**AIR CLEANER TOPS . . . . . 02.061**

- 3609 Late 58-64 2x4 3x2 lid only - raw, unpainted. . . . . Ea \$108.90
- 7171 Black single duck-bill Air Cleaner top . . . . . Ea \$169.00
- 7169 Chrome trumpet Air Cleaner top. . . . . Ea \$359.00
- 7170 Black double duck-bill Air Cleaner top . . . . . Ea \$369.00
- 7172 Black trumpet Air Cleaner top . . . . . Ea \$169.00
- 7227 Chrome trumpet Air Cleaner top with air. . . . . Ea \$359.00
- 7173 Chrome double duck-bill Air Cleaner top. . . . . Ea \$359.00
- 7174 Chrome single duck-bill Air Cleaner top . . . . . Ea \$359.00
- 6625 58-64 Air cleaner top seal except with 2x4 and 3x2 . . . . . Ea \$16.50

**AIR CLEANER BASES . . . . . 02.062**

- 6414 59-63 4" Air cleaner base, all 348 & 340hp 409, no vent . . . . . Ea \$110.00
- 6418 61-62 5" Air Cleaner base, no vent. . . . . Ea \$110.00
- 3616 64 2x4 base with opening for 1 inch tube. . . . . Ea \$298.87
- 6415 63 5" Air Cleaner base 409/400hp, 1/2" vent . . . . . Ea \$110.00
- 6417 64-65 5" Air Cleaner base 409/400hp, 1" vent. Ea \$110.00
- 6416 64-65 4" Air Cleaner base 409/340hp, 1" vent. Ea \$110.00

- 3614 62 2x4 base . . . . . Ea \$329.50
- 3615 63 2x4 base with opening for 1/2 inch tube . . . . . Ea \$329.50

**AIR CLEANER STUDS . . . . . 02.063**

- 3142A 58 Air Cleaner stud 3x2 3 piece . . . . . Set \$11.98
- 3142 59-61 stud 3x2 3 piece . . . . . Set \$9.99
- 3140 58-64 stud 1x4. . . . . Ea \$3.99
- 3143 58-64 stud 1x2. . . . . Ea \$3.99
- 3141 58-64 stud 2x4 2 piece . . . . . Pr \$6.66
- 3620 62-64 2x4 center stud . . . . . Ea \$2.42

**AIR CLEANER MISC . . . . . 02.064**

- 8513A 58 Air Cleaner support bracket for air . . . . . Ea \$38.00
- 5419 58 Tri-Power A/C base stanchion . . . . . Ea \$32.94
- 5420 59-61 Tri-power A/C base stanchion . . . . . Ea \$32.94
- 9054 3/4 Inch riser for 2 5/8 inch carbs . . . . . Ea \$18.75
- 4274A Spacer adapter for use with 4274 air cleaners on original GM AFB's . . . . . Ea \$8.00
- 9184 58-61 Adapter for 2GC 2 5/8 carb to 5 1/8 air cleaner base . . . . . Ea \$19.50
- 9068 58 348 3x2 short snorkel fits inside hole 2 pcs. Ea \$79.45
- 9067 58 348 3x2 long snorkel fits inside hole 2 pcs . Ea \$79.45
- 7110 58-61 348 3x2 short snorkel . . . . . Ea \$79.45
- 7111 58-61 348 3x2 long snorkel . . . . . Ea \$79.45
- 3612 62-64 2x4 snorkel 4-7/8"Lx4-1/8"Wx1-9/16"H . . . . . Ea \$54.45
- 3613 58-64 2x4 and 3x2 side outer ring . . . . . Ea \$298.87
- 7022 58-61 3x2 Air Cleaner center & rear hold down bracket . . . . . Ea \$22.00
- 7024 58-61 3x2 Air Cleaner front hold down bracket

**All prices subject to change without notice. Any installed part is not returnable**

# Page 18 Show-Cars.com 1-24 Catalog

3619	2x4 hold down bracket	Ea	\$22.00
		Ea	\$22.57
2000	58-64 Air Cleaner to carb gasket 3x2 (3 required)		
		Ea	\$3.99
1197	62-64 Air Cleaner to carb gasket AFB	Pair	\$7.50
1198	62-64 Air Cleaner to carb gasket 409 1x4 Rochester 4GC		
		Ea	\$3.99
1199	62-64 Air Cleaner to carb gasket 409 380-400 hp AFB		
		Ea	\$2.48
3912	62-64 5 1/8 inch AFB to stock Air Cleaner adapter Kit (409 2x4)	Kit	\$49.00
4274A	4" to 5 "AC adapter, use for #4274 Air Cleaner for stock AFB		
		Ea	\$8.00
3912A	62-65 Air cleaner adapter, new style AFB to stock air cleaner, 1 x4	Set	\$25.00
4835	63-64 2x2 Air Cleaner lid cross flag emblem with nuts, less 409 numbers	Ea	\$21.00
4836	62-63 Air cleaner lid 409 numbers with nuts, less cross flags	Ea	\$26.95
8837	63-64 Template for emblem holes on 2x4 air cleaner	Ea	\$5.50
DC148	63-64 425 HP Air Cleaner sticker	Ea	\$3.99
HM247	63-65 340 HP Air Cleaner foil sticker	Ea	\$4.95
HM142	63-65 400 HP Air Cleaner sticker	Ea	\$9.50
3144	64-65 vent tube	Ea	\$23.78
3023	64-65 Air cleaner 1 inch inner diameter x 3 inch crank case vent hose with GM number	Ea	\$5.78
9096	Air cleaner riser 7/8" for 3" carbs, aluminum	Ea	\$27.00
9070	Air cleaner riser 7/8" for 4" carb (Billet aluminum)		
		Ea	\$35.00
8356	Air Cleaner 1/2" riser for 5" carb w/O ring seal (aluminum)	Ea	\$18.50
8357	Air Cleaner 1" riser for 5" carb w/O ring seal (aluminum)	Ea	\$24.00
8358	Replacement O ring for #8356 & 8357	Ea	\$3.50
7479	Air Cleaner 1/2" riser for 5" carb (plastic)	Ea	\$11.99
6703	Edelbrock 3/4" air cleaner riser for 5" carb	Ea	\$13.95
7480	Air Cleaner 1" riser for 5" carb	Ea	\$11.99
7481	Air Cleaner 1 -1/2" riser for 5" carb	Ea	\$11.99

## WING NUTS . . . . . 02.050

1032A	58 Air Cleaner wing nuts 348 3x2 with star burst lid 3 pieces	Set	\$16.50
1031A	58-65 Air Cleaner wing nut - ( zinc plated)	Ea	\$5.50
5058	58-65 Air Cleaner wing nut-( black)	Ea	\$5.50
1032B	59-61 Air Cleaner wing nut 3x2 4 pieces	Set	\$22.00
4834	59-62 Air Cleaner wing nut with large washer		
		Ea	\$5.00
1032A	62 409 2x4 wingnuts 3 pcs	Set	\$16.50

1031	63-65 Air Cleaner wing nut - (chrome)	Ea	\$5.50
1032	63-64 2x4 Chrome wing nut, 3pcs	Set	\$16.50
6358	Large Hi tech Bowtie wing nut, fits 1/4-20 and 5/16-18 studs		
		Ea	\$10.99
6359	Small Hi tech Bowtie wing nut, fits 1/4-20 and 5/16-18 studs		
		Ea	\$9.99
7879	Black and chrome Air Cleaner wing nut	Ea	\$3.00

For Bolts, Clips, and Screws please see group 25

## AIR FILTER ELEMENTS . . . . . 02.100

1094	Air filter element 348-409 3x2 & 2x4, also fits Pontiac, Olds, Cadillac	Ea	\$24.95
8816	Air filter element for 4" air cleaner	Ea	\$6.00
1485A	6 1/2" x 2 7/16" filter element	Ea	\$6.95
1486A	6 1/2" x 1 1/2" filter element	Ea	\$4.95
A86CW	59-65 air filter A86CW AC Delco ALV/8 exc.w/2x4 or 3x2	Ea	\$36.50
8833	58-66 NAPA Gold air filter element for 2 and 4 barrel (3in x 11.5 in)	Ea	\$19.95
7115	Replacement element for oval air cleaners . . . (21"x10"x2")	Ea	\$16.00
7114	K & N Element for oval air cleaners (21"x10"x3")	Ea	\$175.00
A59C	Air filter element 348-409 3x2 & 2x4, also fits Pontiac, Olds, Cadillac with GM logo A59C	Ea	\$39.95

## OIL FILLER TUBES . . . . . 02.150

1035	58-62 & 63 340 hp with spring bracket-Black-View [A]-Push On type	Ea	\$25.36
1035A	58-62 without spring bracket-Black-view [B]-Push On type	Ea	\$18.58
1035B	58-67 without spring bracket-Chrome-view [B]-Push On type	Ea	\$21.73
1038A	63 409 425hp Black 1/2" 90 deg vent - view [C] Twist On type	Ea	\$45.38
1038B	63 409 400hp Black 1/2" 90 deg vent & spring bracket view[A+C] - twist on type	Ea	\$58.08
1040A	63 409 400hp Black 1/2" straight vent & spring bracket view [D] - twist on type	Ea	\$58.08
1038	63 409 425hp Chrome 1/2" 90 deg vent - view [C] Twist On type	Ea	\$47.65
1040	64-65 409 340/400hp Black 3/8" vent & spring bracket view [D] -twist on type	Ea	\$58.08
1039	64 409 425hp Black oil fill tube 3/8" vent - view [E] Twist On type	Ea	\$41.75
		Ea	\$41.75
1039A	64 409 425hp Chrome oil fill tube 3/8" vent - view [E] Twist On type	Ea	\$38.72
1039B	64 409 425hp Black oil fill tube 1/2" vent - view [E] Twist On type	Ea	\$58.08
7371	58-65 Chrome Edelbrock oil fill tube with breather, classic series	Ea	\$26.95

## OIL CAPS . . . . . 02.200

1036A	58-62 # Vented # marking OIL/OIL # view [H]
-------	---

Go to Show-Cars.com for updates and many more pictures

# 507-233-1958 Fax 507-354-1959 1-24 Catalog 19

	..... Ea	\$39.95
1041A	62-65 # Twist on with Dimple and PCV # view [F] # Black	
	..... Ea	\$26.15
1037	63 # Vented # marking AC/OIL # chrome # view [I]	
	..... Ea	\$57.90
1041	63-65 # Twist on with Dimple # view [F] # Chrome	
	..... Ea	\$24.15
1041B	63-65 # Twist on # view [G] # Chrome	Ea \$18.50
1041C	63-65 # Twist on with PCV # view [G] # Black	
	..... Ea	\$14.52
1041D	Twist on oil cap gasket	Ea \$6.50
1036	63-67 # Vented # Marking AC/OIL # black # view [I]	
	..... Ea	\$51.85
5612	Chrome Chevy breather cap with bow tie push on type	
	..... Ea	\$21.50

## DIPSTICKS ..... 02.250

4862	56-57 V8 and 57-62 Corvette dipstick GM #3722959	
	..... Ea	\$49.50
1107	58 283 Dipstick	Ea \$22.94
1107A	58 283 Chrome dipstick	Ea \$25.94
1108	58 348 Dipstick	Ea \$22.94
1108A	58 348 Chrome dipstick	Ea \$25.36
1106	58-62 6 Cyl Dipstick	Ea \$22.94
1116	58-up dipstick stop rubber washer	Ea \$5.00
1109	59-64 283 Dipstick GM #3849562	Ea \$22.94
1109A	59-64 283, 327, 348 Chrome	Ea \$25.94
1110	61-64 409 Dipstick with SS marking	Ea \$26.69
1112	63-64 409 Dipstick with Air, chrome handle	Ea \$54.77
1111	63-64 409 Chrome dipstick with SS marking	Ea \$32.62
1113	63-64 6 Cyl Dipstick GM #3860442	Ea \$18.10
6754	65 409 Dipstick with chrome handle	Ea \$44.50

## DIPSTICK TUBES ..... 02.260

4863	55-57 Dipstick tube 57 V8 and 57-62 Corvette	Ea \$28.36
3886	58 early 348-bolts to head, black	Ea \$24.20
3908	58-61 348, chrome	Ea \$35.04
1115	58-61 348, black	Ea \$24.20
9233	58-61 348 Dipstick tube for Dougs tri wye headers	
	..... Ea	\$32.00
5396	58-62 6 cylinder dipstick tube	Ea \$18.95
3909	61-64 409 chrome	Ea \$35.04
1114	61-64 409 without air, black	Ea \$24.20
1114A	61-64 409 with air, black	Ea \$48.40
9234	61-64 409 Dipstick tube for Dougs Tri wye headers	
	..... Ea	\$32.00
5397	63-64 6 Cylinder dipstick tube- GM #3828073	Ea \$12.05
2048	All small block, black	Ea \$22.50
6753	65 409 Dipstick tube, all, black	Ea \$45.00
4269	58-65 348-409 power steering bracket, dipstick tube, idler pulley bracket to exhaust manifold stud	Ea \$10.00

## DIPSTICK TUBE TO OIL PAN SEAL 02.260

1116A	58-64 Rubber	Ea \$5.00
-------	--------------	-----------

## CHOKE COVER ..... 02.290

5523	58-65 WCFB AFB Choke cover retainer with screws	
	..... Ea	\$13.85
5524	62-65 AFB choke cover with thermal spring	
	..... Ea	\$147.00
3149	64-up for intake manifold	Ea \$6.20
5472	62-65 AFB choke cover without internal disc	Ea \$61.95
5472A	62-65 choke internal disc with thermal spring, all AFB	
	..... Ea	\$85.00
5743	AFB/WCFB Electric Choke Kit, Bolts to carb.	
	..... Ea	\$25.00
5744	AFB/WCFB Choke Housing	Ea \$79.00
5785	Manual Choke Kit	Ea \$23.50
7627	Edelbrock electric choke conversion for performance series carburetor #1404, 1405, 1407, 1412, 1478	Ea \$92.95

## CHOKE TUBES ..... 02.300

0990	58 348 3x2 upper	Ea \$21.95
4257	58-64 all 6 cylinder upper	Ea \$21.95
0996	58-64 283 1x4 upper	Ea \$21.95
5701	58 Up Choke tube fresh air hose	Ft \$3.30
0991	59-61 348 3x2 upper(rear side inlet)	Ea \$21.95
0994	58-61 348 1x4 upper	Ea \$21.95
7021	348/409 3x2 for replacement (6122) carbs (Center inlet)	
	..... Ea	\$21.95
6697	348/409 3x2 for replacement (6122) carbs (Bottom inlet)	
	..... Ea	\$21.95
5418	62-up choke tube insulation	Ea \$9.95
0992	62 409 380hp choke tube with early exhaust manifolds	
	..... Set	\$41.95
1001	62 409, 409hp all upper and lower with bracket & hose with early exhaust manifolds	Set \$41.95
1002	62 409 all upper & lower with bracket & hose for late exhaust manifolds	
	..... Set	\$41.95
0997	62-64 283 1x2 upper and lower with bracket & hose	
	..... Set	\$41.95
0999	62-64 327 250 hp upper & lower with bracket & hose	
	..... Set	\$41.95
1000	62-64 327 300 hp upper and lower with bracket & hose	
	..... Set	\$41.95
3383	58-64 all choke tube in exhaust manifold (stainless)	
	..... Ea	\$10.95
1003	63 409/340 hp upper & lower with bracket & hose (chrome)	
	..... Set	\$53.95
1005	63-65 409/400, 425 & 65 340 hp upper & lower with bracket & hose (chrome)	Set \$53.95
1003A	64 409/ 340 hp upper & lower with bracket & hose (chrome)	
	..... Set	\$53.95

## VACUUM ADVANCE ..... 02.350

1150A	58 Vacuum control hex body w/ thread flare fitting	
	..... Ea	\$99.99
1150B	58 3x2 vacuum advance line with fittings distributor to carburetor	Ea \$13.20

**All prices subject to change without notice. Any installed part is not returnable**

# Page 20 Show-Cars.com 1-24 Catalog

3106	Hollow carburetor stud with nut for vacuum lines Ea \$14.52	
5825	59-up Vacuum advance 283, 1X2 . . . . . Ea	\$15.97
1033	59-64 Vacuum advance line with 4GC except 409 . . . . . Ea	\$15.97
1033A	59-64 Vacuum advance line clips . . . . . Ea	\$6.50
1150	59-64 Vacuum advance control, all V8. . . . . Ea	\$29.15
1151	62-65 Vacuum advance control high performance 409 . . . . . Ea	\$37.95
7026	57-74 All V8 adjustable vacuum advance. . . . Ea	\$32.95
5415	62-up Vacuum advance tube 327, 250HP. . . . Ea	\$14.52
5416	62-up Vacuum advance tube 327, 300hp . . . . Ea	\$15.97
5700	All year Vacuum advance hose . . . . . Per Ft	\$2.75
1034	63-65 Vacuum advance line 409,340hp with 4GC . . . . . Ea	\$22.51
3330	62-63 409 high performance with 2x4 vacuum advance fitting back of front carburetor, 64-65 rear carburetor . . . . . Ea	\$22.90
6528	63-65 Vacuum advance adapter fitting, back of carb 409 340 hp w/Rochester 4GC . . . . . Ea	\$5.00
6998	63-65 409 400 Hp vacuum advance line, chrome . . . . . Ea	\$26.40
6604	6X2 Vacuum advance line. . . . . Ea	\$17.60

## MARCH SERPENTINE BELT SYSTEMS. . . 02.360

7849	March performance style trac 348/409 serpentine system. 105 AMP alternator, AC compressor, belt, Edelbrock water pump, brackets, 4 idlers, GM type 2 power steering, clear powder coat. Needs remote reservoir for power steering pump. . . . . . Kit	\$3,016.00
7854	348/409 March Performance Style trac 348/409 serpentine system. 105 AMP alternator, AC compressor, belt, Edelbrock water pump, brackets, 4 idlers without power steering. Clear powder coat. . . . . Kit	\$2,515.21
8146	66" Serpentine belt for 7854 March kit . . . . . Ea	\$36.07
8147	83 1/2" Serpentine belt for 7849 March kit . . . . Ea	\$39.15

## BILLET SPECIALTIES SERPENTINE BELT SYSTEMS . . . . . 02.360

8070	348/409 Serpentine Belt System, polished (Natural finish water pump) no PS, no AC 170 AMP 1 wire billet alternator . . . . . Set	\$2723.95
8066	348/409 Serpentine Belt System, Polished (Natural finish water pump) No AC, W/PS, 170 AMP 1 wire Polished Power- master alternaator (does not include remote PS reservoir). . . . . . Set	\$3162.95
8064	348/409 Serpentine Belt System, Polished (Natural finish water pump) AC, no PS 170 AMP 1 wire billet alternator . . . . . Set	3268.95
8061	348/409 Serpentine Belt System, Polished (Natural finish water pump) AC,PS 170 AMP 1 wire billet alternator (does not include remote PS reservoir). . . . . Set	\$3677.958072

	348/409 Serpentine Belt System, polished, (natural finish water pump) no PS, or AC 170 AMP 1 wire billet alternator . . . Set . . . . .	\$2773.25
8068	348/409 Serpentine belt system, polished, (natural finish water pump) no AC W/PS 170 amp 1 wire billet alternator (does not include PS remote reservoir). . . . . Set	\$2780.95
8060	348/409 Serpentine Belt System, Polished (Natural finish water pump) AC, PS, 170 AMP 1 wire billet alternator. (does not include remote PS reservoir). . . . . Set	3301.95
8071	348/409 Serpentine Belt System, black anodized. (Natural finish water pump) No PS, no AC, 170 AMP 1 wire billet alternator . . . . . Set	\$2411.95
8838	348/409 Serpentine belt system. Black anodized (Natural finish water pump) W/PS no AC, 170 AMP 1 wire billet alter- nator (does not include remote PS reservoir) . . Set	\$2873.95
8063	348/409 Serpentine Belt System, black anodized, (Natural fin- ish water pump) AC no PS 170 AMP 1 wirw billet alternator, . . . . . Set	\$2,937.95
8059	348/409 Serpentine Belt System, Black anodized (Naatural finsh water pump) AC, PS, 170 amp 1 wire Powermaster alternator (does not include remote PS reservoir) . . . . . Set	\$3626.95
8074	348/409 Serpentine Belt System power steering hose and fitting kit . . . . . Ea	\$252.95
8075	348/409 Serpentine Belt System power steering remote reser- voir, black . . . . . Ea	\$215.95
9038	348/409 Serpentine Belt System power steering remote reser- voir, polished. . . . . Es	\$149.95

## WATER PUMP PULLEY . . . . . 02.370

6402	58-59 348 Black single row regular groove water pump pulley 7 1/8" diameter . . . . . Ea	\$81.60
7954	348/409 Chrome single row regular groove water pump pul- ley. . . . . Ea	\$26.00
7964	348/409 Polished aluminum single row regular groove water pump pulley. 6 1/4" diameter . . . . . Ea	\$48.00
6563	59-63 348/409 black 2 part water pump pulley deep groove (rear) 7" diameter . . . . . Ea	\$150.00
6564	59-63 348/409 black 2 part water pump pulley deep groove (front) 7" diameter . . . . . Ea	\$67.20
6477	348/409 Black single row deep groove water pump pulley 6" diameter . . . . . Ea	\$91.50
1152	348/409 Black 2 row deep groove water pump pulley 7" diameter . . . . . Ea	\$135.00
6476	348/409 Black 2 row regular groove 6 1/4" diameter water pump pulley . . . . . Ea	\$78.00
9103	348/409 Chrome 2 row deep groove water pump pulley 7" diameter . . . . . Ea	\$135.00
7955	348/409 Chrome 2 row regular groove water pump pulley, 6-1/4" diameter . . . . . Ea	\$34.00
7965	348/409 Polished aluminum 2 row reular groove water pump pulley, 6-1/2" diameter . . . . . Ea	55.93

Go to Show-Cars.com for updates and many more pictures

# 507-233-1958 Fax 507-354-1959 1-24 Catalog 21

7549	59-64 348/409 Black 3 row regular groove 1 piece water pump pulley with air conditioning, standard groove 5-3/8 diameter. May need some grinding on pump or 6515 shim.	Ea	\$165.90
1152A	348/409 Water pump pulley reinforcement	Ea	\$8.00
6515	348/409 Water pump pulley shim 1/16"	Ea	\$8.00
6516	348/409 Water pump pulley shim 1/8"	Ea	\$12.00
6517	348/409 Water pump pulley shim 1/4"	Ea	\$19.00
8458	Water pump bolt for countersunk pulley #7964, #7965	Ea	\$3.00
7548	64-65 409 Water pump pulley second design. (Long water pump)	Ea	\$119.50
7551	64-65 409 Water pump pulley with air conditioning (Long water pump) 3 groove 1 pc	Ea	\$139.75

## POWER STEERING PULLEYS & BRACKETS ..... 02.371



### Show Cars Part #1153

1153	58-64 348/409 Black single row deep groove power steering pulley for cars with air, 5 3/4" diameter	Ea	\$59.60
------	---	----	---------



### Show Cars Part #1153A

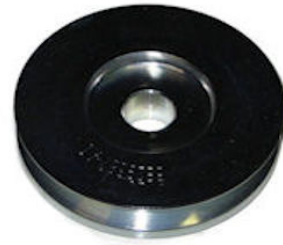
1153A	58-64 348/409 cast -spoke single row deep groove power steering pulley for cars without air 6 1/8" diameter	Ea	\$279.00
9071	58-64 348/409 Single row power regular groove steering pulley. Use to replace 1153A when using a 605 power steering box for clearance. Polished aluminum, can be painted 5 3/4" "		

7960	348/409 Chrome steel 1 row regular groove power steering pulley 5 3/4" diameter	Ea	\$37.00
7986	348/409 Polished aluminum 1 row regular groove power steering pulley	Ea	\$40.00
6524	348/409 Black 2 row regular groove aftermarket power steering pulley used with or without air 5 3/4" diameter	Ea	\$46.99
7961	348/409 Chrome steel 2 row reegular groove power steering pulley. 5 3/4" diameter	Ea	\$39.99
7987	348/409 Polished aluminum 2 row regular groove power steering pulley 5 3/4" diameter	Ea	\$47.00
7985	348/409 Chrome aluminum 2 row regular groove power steering pulley	Ea	\$65.00
7984	348/409 Chrome aluminum 1 groove power steering pulley	Ea	\$65.00
7213	58-64 Small block power steering pump bracket	Ea	\$45.00
5347	60-65 348/409 Power steering brackets & 63-65 409 idler pulley brackets, stamped type	Set	\$114.99
6640	60-61 348 Power steering brackets used with 2 bolt pump. Will not work with hex collar stud. Can be used with 58-59 block, requires drilling block. Can be used with 62-65 409 by removing hex collar stud	Set	\$89.99
7903	348/409 Allen Grove after market low mount power steering pump bracket. This bracket is designed to be used with the metric GM remote reservoir type 2 pump	Ea	\$115.50
7988	348/409 Polished aluminum power steering pulley cover for Sandman 508 pump	Ea	\$29.00
7989	348/409 Chrome aluminum power steering pulley cover for Sandman 508 pump	Ea	\$55.00
6520	348/409 Power steering bracket to block shim 1/16"	Ea	\$12.00
6521	348/409 power steering bracket to block shim 1/8"	Ea	\$12.00
6522	348/409 power steering bracket to block shim 1/4"	Ea	\$12.00

## CRANKSHAFT PULLEY ..... 02.372

6401	348 Black 1 row regular groove crank pulley	Ea	\$49.45
7957	348/409 Chrome steel 1 row regular groove crank pulley 6 5/8" diameter	Ea	\$26.00
7975	348/409 Chrome aluminum 1 row regular groove crank pulley. 6 5/8" diameter	Ea	\$59.00

**All prices subject to change without notice. Any installed part is not returnable**



## Show Cars Part #1154

## Show Cars Part #1154A

1154	348/409 Black 2 row deep groove crankshaft pulley 7" diameter (GM 3858533) . . . . . Ea	\$74.50
5957	348/409 Black regular groove 3rd row for power steering and air conditioning, this is an aftermarket pulley that allows you to install air cond and power steering on a 348/409. Works with our part #1154 . . . . . Ea.	\$76.95
7547	58-63 Black 2 row regular groove crank pulley 348/409 1st design. . . . . Ea	\$139.00
7868	58-59 348 Black regular groove 2 row 2 piece crank pulley with air ride suspension 6 5/8" diameter . . . . . Ea	\$112.82
6932	348/409 Black 2 row standard groove crankshaft pulley 6 5/8" diameter . . . . . Ea	\$69.99
3883	348/409 Black 1 row standard groove pulley use with 6932 for third row 6 5/8" diameter . . . . . Ea	\$54.50
7958	348/409 Chrome steel 2 row standard groove crankshaft pulley. 7 1/8" diameter. . . . . Ea	\$37.00
7967	348/409 Polished aluminum 2 row standard groove crank pulley 6 5/8" diameter. . . . . Ea	\$52.00
7968	348/409 Polished aluminum 3row standard groove crank pulley 6 5/8" diameter. . . . . Ea	\$69.00
7959	348/409 Chrome steel 3 row standard groove crankshaft pulley, 7 3/8" diameter, will not work with 7" water pump pulley. . . . . Ea	\$49.50
6518	348/409 crank pulley shim 1/16" . . . . . Ea	\$18.00
6519	348/409 crank pulley shim 1/8" . . . . . Ea	\$18.00
7962	BBC Chrome steel 2 groove crank pulley . . . . . Ea	\$37.00
7963	BBC Chrome steel crankshaft add on 3rd row add on pulley. . . . . Ea	\$30.00
7966	348/409 Polished aluminum 1 groove crank pulley. . . . . Ea	\$48.00

## ALTERNATOR/GENERATOR PULLEY . . . . 02.373

6565	58-62 1 row deep groove generator pulley 3 5/8 diameter (58-61 High performance and 62 all) . . . . . Ea	\$154.00
9160	58-61 348 1 row regular groove generat pulleylow performance 3" diameter . . . . . Ea	\$79.50

1154A	348/409 1 row deep groove alternator pulley 3 1/2" diameter Ea	\$45.00
8320	Alternator/Generator pulley 4" diameter . . . . . Ea	\$48.00
8321	Alternator/Generator pulley 5-1/4" diameter . . . . . Ea	\$62.50
6599	Alt & generator fan . . . . . Ea	\$27.00
7981	348/409 Chrome steel 1 groove alternator pulley and fan. . . . . Ea	\$21.00
7982	348/409 Polished aluminum 1 groove alternator pulley and fan . . . . . Ea	\$49.00
7983	348/409 Chrome aluminum 1 groove alternator pulley and fan . . . . . Ea	\$59.00
6588	Alt/Gen/PS Pulley Nut . . . . . Ea	\$2.50

## IDLER PULLEY . . . . . 02.374

3378	60-62 348-409 Idler Pulley Assembly with brackets . . . . . Ea	\$395.00
5638	60-62 Idler pulley bearing. . . . .	\$9.99
6231	59-62 Idler adjustment spacer stud. . . . . Ea	\$42.00
6232	59-62 Steel idler pulley mounting bracket . . . . . Ea	\$88.00
6233	59-62 Steel idler pulley adjustment bracket . . . . . Ea	\$88.00
6234	59-62 Idler pulley . . . . . Ea	\$99.00
6235	59-62 Idler pulley bearing bolt. . . . . Ea	\$38.00
6236	59-62 Idler pulley bearing cap . . . . . Ea	\$16.50
6237	59-62 Idler pulley grease fitting . . . . . Ea	\$3.50
6238	59-62 Idler pulley cap clip . . . . . Ea	\$3.50
5347	63-65 409 Idler pulley brackets . . . . . Set	\$114.99
3380	63-65 Deep groove Idler pulley assembly less brackets . . . . . Set	\$395.00
7352	63-65 Idler pulley bearing. . . . . Ea	\$32.50

## BELTS . . . . . 02.380

QB-832	58-64 PS Belt used with 5957 Pulley (3759224) . . . . . Ea	\$26.00
QB-762	58 348 Generator belt with 3x2 (2 rqd) 58.0" (3755892) . . . . . Ea	\$36.40
QB-763	58 348 Generator belt w/o P.S. 56.1" (3747874) . . . . . Ea	\$36.26

**Go to Show-Cars.com for updates and many more pictures**

# 507-233-1958 Fax 507-354-1959 1-24 Catalog 23

QB-764	58 348 Generator belt w/H.D. Gen. 57" (3747879)	Ea	\$34.32	(3826448) . . . . . Ea	\$36.40		
QB-776	58 348 Generator belt, w/PS 58" (3755892) . . .	Ea	\$36.40	QB-867	63 409 Idler Belt. 43" (3827486) . . . . . Ea	\$31.10	
QB-767	58 348 AC Belt. 59" (3751154) . . . . . Ea	\$39.40		QB-869	63 409 PS Belt 44" (3772074) . . . . . Ea	\$31.10	
QB-768	58 348 Air Suspension Comp. Belt RPO 576 55.4" (3754906)	Ea	\$33.28	QB-870	63 409 PS Belt w/AC. 43.5" (3837254) . . . . . Ea	\$28.08	
QB-770	58 348 Generator Belt, w/Air Susp or HD Gen 57.0" (3747879) . . . . . Ea	\$34.32		QB-873	63 409 AC Belt. 60" (3840396) . . . . . Ea	\$39.40	
QB-774	58 348 Generator Belt, w/PS and Air Susp. 58.0" (3755892)	Ea	\$36.40	QB-881	64 409 Alternator Belt. 59" (3826454) . . . . . Ea	\$39.40	
QB-775	58 348 Generator Belt, w/PS & Air Susp, & A.C. 57.0" (3755890) . . . . . Ea	\$34.32		QB-882	64 409 Alternator Belt w/AC 58.25" (Larger Pulley) (3851316) . . . . . Ea	\$36.40	
QB-782	59 348 Generator Belt, w/oPS, w/o AC. 57" (3755890)	Ea	\$34.32	QB-885	64 409 Alternator Belt w/AC 57.75" (Smaller Pulley) (3848254) . . . . . Ea	\$39.50	
QB-783	59 348 Generator Belt, w/PS 56.0" (3737976)	Ea	\$36.26	QB-886	64 409 Idler Belt. 43" (3848251) . . . . . Ea	\$28.08	
QB-786	59 348 Generator Belt, w/PS & Air Susp. 57.5" (3759216)	Ea	\$34.32	QB-888	64 409 PS Belt 340HP. 44.5" (3851318) . . . . . Ea	\$29.12	
QB-790	59 348 Generator Belt, w/60 amp generator (3755892)	Ea	\$36.40	QB-889	64 409 PS Belt 400 HP. 44" (3848252) . . . . . Ea	\$29.12	
QB-791	59 348 Water Pump Belt. 40" (3765164) . . . . . Ea	\$27.04		QB-890	64 409 PS Belt with AC. 44.5" (3851318) . . . . . Ea	\$29.12	
QB-793	59 348 AC Belt 60" (3751887) . . . . . Ea	\$39.40		QB-892	64 409 AC belt 61" (3851317) . . . . . Ea	\$39.40	
QB-794	59 348 Air Susp. Compressor Belt. 53" (3755845)	Ea	\$31.20	QB-903	65 409 Alternator Belt 340HP 57.75" (3848256)Ea	\$39.40	
QB-801	60 348 Generator Belt w/o AC & hi lift cam (RPO 576) 56.5" (3764348) . . . . . Ea	\$36.26		QB-904	65 409 Alternator Belt 400HP. . . . . Ea	\$39.50	
QB-802	60 348 Generator Belt w/o AC w/hi lift cam (RPO 576) 56.5" (3779859) . . . . . Ea	\$33.28		QB-907	65 409 Alternator Belt with A/C 38.5" (3850801)Ea	\$27.04	
QB-803	60 348 Generator Belt, Hi perf w/o AC (RPO 577) 57.0" (3779860)	Ea	\$37.30	QB-913	65 409 Alternator Belt with A/C 57.75" (3848254)	Ea	\$39.50
QB-804	60 348 Generator Belt w/AC 56" (3737976) . . . . . Ea	\$36.26		QB-914	65 409 Alternator Belt 58.25" (385319) . . . . . Ea	\$37.00	
QB-806	60 348 Water Pump/Idler Belt Hi per w/o AC. (RPO 577) 40" (3779861) . . . . . Ea	\$30.25		QB-916	65 409 Idler Belt 43" (3848251) . . . . . Ea	\$31.10	
QB-809	60 348 PS Belt w/o AC. 45" (3770512) . . . . . Ea	\$33.00		QB-919	65 409 PS Belt (3848252) . . . . . Ea	\$29.12	
QB-810	60 348 PS Belt w/AC. 43.16" (3770513) . . . . . Ea	\$28.08		QB-920	65 409 PS Belt w/AC (3851318) . . . . . Ea	\$29.12	
QB-812	60 348 AC Belt. 60.5" (3774723) . . . . . Ea	\$39.50		QB-922	65 409 AC Belt . . . . . Ea	\$36.40	
QB-827	61 348 Generator belt w/AC. 56.0" (3737976)Ea	\$36.26		QB-919	65-409 PS Belt 44" (3848251) . . . . . Ea.	\$28.00	
QB-828	61 348 Generator belt w/o AC. 56.5" (3764348)Ea	\$36.26		QB-920	65 409 PS Belt w/AC 44.5" (3851318) . . . . . Ea.	\$28.00	
QB-829	61 409 Generator belt w/o AC. 57.0" (3779860)Ea	\$37.30		QB-922	65 409 AC Belt 61" (3851317) . . . . . Ea.	\$35.00	
QB-831	61 348 Idler belt w/o AC. 40.0" (3779861) . . . . . Ea	\$30.25		<b>OIL CANISTERS . . . . . 02.400</b>			
QB-833	61 348 PS Belt w/o AC. 45" (3770512) . . . . . Ea	\$29.12		1170	58-64 Oil canister silk screened . . . . . Ea	\$109.95	
QB-834	61 348 PS Belt w/AC 43.76" (3770513) . . . . . Ea	\$28.08		5602	58-67 Oil canister gasket . . . . . Ea	\$6.50	
QB-836	61 348 AC belt. 60.4" (3774723) . . . . . Ea	\$39.50		PF1218	58-67 Oil filter AC Delco all V8 with spin on filter	Ea	\$8.80
QB-842	62 409 Generator Belt. 57" (3779860) . . . . . Ea.	\$37.30		PF141	58-67 Oil filter PF-141 AC Delco all V8 with stock canisters	Ea	\$8.80
QB-847	62 409 Idler Belt. 40" (3779861) . . . . . Ea	\$30.25		3222A	58-68 Oil filter adapter to spin on (must be used with 3222 by-pass valve) . . . . . Ea	\$55.00	
QB-849	62 409 PS Belt. 44" (3772074) . . . . . Ea	\$31.10		9171	348/409 Billet Aluminum oil filter w/304 SS micronic filter cloth use SC #3222A adapter Filter wrench included Last oil filter you will buy . . . . . Ea	\$274.00	
QB-862	63 409 Alternator Belt. 59" (3826454) . . . . . Ea	\$39.40		6999	348/409 Oil filter spin on adapter, no by-pass valve needed	Ea	\$39.95
QB-863	63 409 Alternator Belt w/AC. 58" (Smaller Pulley)(3755892)	Ea	\$36.40	8933	Steel nut for 6999 to replace tin nut in kit . . . . . Ea	\$9.50	
QB-866	63 409 Alternator Belt w/AC. 58.5" (Larger Pulley)	Ea	\$36.40	8317	348/409 GM performance re-usable oil filter, works with part #3222A and 6999 . . . . . Ea	\$95.00	
				9170	348/409 Billet aluminum oil filter w/304 SS micronic filter cloth use SC #6999 adapter Filter wrench included Last oil filter you will buy . . . . . Set	\$194.00	
				PF2	Spin on filter for 6999 adapter . . . . . Ea	\$8.80	
				PH8A	Fram spin on filter for use with 6999 adapter . . . . . Ea	\$8.00	

**All prices subject to change without notice. Any installed part is not returnable**

# Page 24 Show-Cars.com 1-24 Catalog

- 3222 58-up filter by-pass valve for stock canister . . . Ea \$43.00
- 6087 58-up oil by-pass valve gasket . . . . . Ea \$3.75

## OIL PAN . . . . . 02.420



### Show Cars Part #6014

- 6012 58-61 348 Oil pan 6 quart, unpainted (Steel) . . Ea \$299.00
- 6014 62-64 409 Oil pan 6 quart unpainted(Steel) . . Ea. \$299.00
- 8618 58-64 348/409 Chrome oil pan 6 quart. Chrome is driver quality (Steel) . . . . . Ea \$369.00
- 6015 63 409 Z11 Oil Pan unpainted (Steel)\*. . . . . Ea \$499.00
- 6016 65 409 Oil pan unpainted (Steel)\* . . . . . Ea \$549.95
  
- 5910 58-64 348/409 Steff's aluminum oil pan 7 quart. With oil pick up tube and screen. Sump is 10 1/4" x 8 5/8"x9" deep . . . . . Ea \$635.00
- 9182 65 348/409 Steff's aluminum oil pan 7 quart. With oil pick up tube and screen . . . . . Ea \$635.00
  
- 7219 58-64 348/409 Oil pan repair bottom, can be used to make a Z-11 pan (Limited availability). . . . . Ea \$165.00
- 9107 58-64 348/409 Oil pan repair bottom (Lower, limited availability) . . . . . Ea \$75.00
- 9226 58-64 348/409 oil pan repair bottom with front drain hole . . . . . Ea \$35.00
- 9227 58-64 348/409 Oil pan baffle . . . . . Ea \$26.50
- 3583. 348/409 Oil pan gasket . . . . . Set \$20.90
- 1186 58-64 Oil pan plug and gasket . . . . . Set \$4.50
- 8797 Oil pan drain plug gasket . . . . . Ea \$1.25

*\*These oil pans are made to order, allow extra time.*

## WATER TEMPERATURE SWITCH. . 02.450

- 2090D 55-65 Temperature switch for gauge . . . . . Ea \$27.64
- 2090A 58-61 Temperature switch all and 65 SS 409 . for idiot light . . . . . Ea \$21.95
- 2090 62-64 Temperature switch 2 wire (hot & cold light) . . . . . Ea \$25.00
- 3009 58-61 Wire harness-one wire . . . . . Ea \$20.00
- 3010 59-64 Wire harness-two wire . . . . . Ea \$27.95

## OIL PRESSURE SWITCH. . . . . 02.450

- 2090B 58-63 348 & 409 for guages . . . . . Ea \$18.95
- 2090C 58-64 283-327 also 64-65 409 for idiot light(may need part #4870 & 4871 to install correctly on these) . . . Ea \$18.95
- 4870 64-65 45 degree adaptor oil pressure switch to block 409 . . . . . Ea \$6.50
- 4871 64-65 bushing adapter oil pressure switch to block 409 . . . . . Ea \$4.95

## GENERATOR . . . . . 02.500

- 5493 56-62 Generator grommet . . . . . Ea \$11.95
- 3041 58-62 348-409 Generator front bracket w/power steering, has pie shape, 6-1/2" long, 2-7/8" wide . . . . . Ea \$39.88
- 7112 58-62 348-409 Generator front bracket without power steering has pie shape, 6-1/2" long, 2-7/8" wide . . . . . Ea \$39.88
- 4233 58-59 348 Generator side bracket with power steering on generator, 6-3/4" length fits inside generator ears, lifts up 1-3/8", has round ears may need spacer . . . . . Ea \$63.24
- 3042 58-62 348-409 Generator side bracket without power steering, 6-3/4" length fits inside generator ears may need space . . . . . Ea \$46.35
- 4230 60-62 348-409 Generator side bracket with power steering, 6-3/4" length fits inside generator ears, lifts up 1-3/8" has square ears, may need spacer . . . . . Ea \$63.24
- 4264 58-62 348-409 Generator top brace without power steering, 13-3/4" OAL, bent 45\* at 8" with 4-3/8 straight slot . . . . . Ea \$32.95
- 3040 58-62 348-409 Generator top brace with power steering, 12" OAL, Bent 15\* at 6-1/2" with 3-1/4" straight slot . . . . . Ea \$32.95
- 6549 348/409 Generator and alternator adapter bracket for use of headers with stock brackets. . . . . Ea \$26.45
- 3031 58-62 Generator spring lid oil cap . . . . . Pr \$22.00
- 3033 58-64 Generator distributor tag rivet, 10 pcs. . . Ea \$6.05
- 32247 60-62 35 Amp rebuilt generator w/o rubber bushing . . . . . Ea \$219.00
- 7209 59-62 348/409 Generator solid mount dual ball bearing end frames (less generator) . . . . . Set \$229.00

## ALTERNATOR . . . . . 02.500

- 7191 348/409 90 Amp. 1 wire alternator with internal voltage regulator , looks like a generator. Not for use with generator mounted power steering pump. Measures 7.130" between mount brackets . . . . . Ea \$419.00
- 8322 348/409 90 Amp. 1 wire alternator with internal voltage regulator , looks like a generator. Not for use with generator mounted power steering pump. Measures 7.130" between mount brackets, chrome . . . . . Ea \$419.00
- 8492 348/409 90 Amp. 2 wire alternator with internal voltage regulator , looks like a generator. Not for use with generator

**Go to Show-Cars.com for updates and many more pictures**



# 507-233-1958 Fax 507-354-1959 1-24 Catalog 25

mounted power steering pump. Measures 7.130" between mount brackets, black . . . . . Ea \$419.00

- 8493 348/409 90 Amp. 2 wire alternator with internal voltage regulator , looks like a generator. Not for use with generator mounted power steering pump. Measures 7.130" between mount brackets, chrome . . . . . Ea \$519.99
- 6633 63-65 Alternator wire boot . . . . . Ea \$5.00
- 9104 63-65 409 Alternator bracket kit, can be used to put alternator on 58-62 348/409. . . . . Kit \$168.50



## Show Cars Part #9104

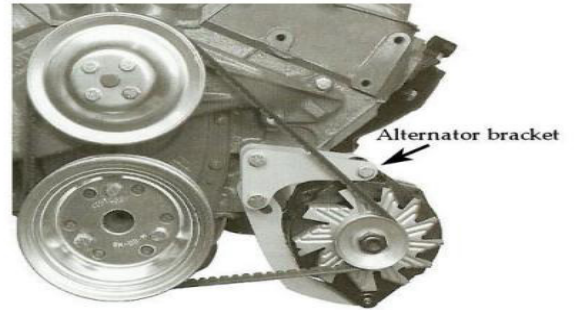
- 3037 62-64 409 Alternator top brace, 16-5/8" OAL, Bent 75\* at 9-1/2" with 4-1/4 curved slot . . . . . Ea \$32.95
- 3038 62-64 409 Alternator middle bracket . . . . . Ea \$48.40
- 3039 62-64 409 Alternator bottom bracket . . . . . Ea \$73.21
- 8836 62-64 409 Alternator top brace, 16-5/8 OAL, Bent 75\* at 9-1/2" with 4-1/4 curved slot Polished billet aluminum . . . . . Ea \$69.50
- 7859 348/409 Alternator bracket short. . . . . Ea \$113.50
- 6549 58-65 Generator and alternator adapter bracket for use of headers with stock brackets. . . . . Ea \$21.45
- 8619 348/409 6061 Billet aluminum alternator bracket set, stock location . . . . . Set \$139.99
- 8620 348/409 6061 Polished Billet aluminum alternator bracket set, stock location . . . . . Set \$199.99
- 8541 348/409 6061 Billet aluminum alternator bracket set, moves alternator to lower driver or passenger side . . . Set \$179.00

*Pat numbers 8541 and 8621 notes:*

*Driver side mounting: move power steering pump or use without power steering.*

*Passenger side mounting: may need to drill and tap mounting holes. Use with electric water pump.*

- 8621 348/409 6061 Polished Billet aluminum alternator bracket set, moves alternator to lower driver or passenger side. . . . . Set \$239.00



Show Cars Part #7860

- 7860 348/409 Low Mount Alternator Bracket bolts to bottom two holes of block and will work with readily available small block short water pump pulleys. Check the dimension requirements to ensure bracket will work with your application. Alternator bracket, moves alternator to lower driver side can not be used if you have power steering. Does not fit 58-64 full size Chevrolet . . . . . Ea \$113.50
- 7857 348/409 Alternator bracket tall solid mount . . . Ea \$113.50
- 6550 62-65 Rebuilt alternator 61 amp externally regulated . . . . . Ea \$98.00
- 8650 63-70 Powermaster alternator. 70 Amp. Externally regulated, fan and V pulley included. Natural finish . . . . . Ea \$159.99
- 8651 63-70 Powermaster alternator. 70 Amp. Externally regulated, fan and V pulley included. Chrome . . . . . Ea \$179.99
- 8652 58-70 Powermaster alternator. 100 amp. Internally regulated 1 or 3 wire operation. Upgrade wire harness needed. Fan and V pulley included. Natural finish . . . . . Ea \$149.99
- 8653 58-70 Powermaster alternator. 100 amp. Internally regulated 1 or 3 wire operation. Upgrade wire harness needed. Fan and V pulley included. Chrome. . . . . Ea \$168.99

## AIR CONDITIONING. . . . . 02.510

- 7210 58 348 3x2 AC bracket . . . . . Ea \$599.00
- 5311 59-61 348 AC bracket (Can be used on 58 by moving battery) . . . . . Ea \$499.00
- 5311A 63-65 409 AC bracket also for all 348 & 409 using A-6 type compressor . . . . . Set \$499.00
- 3034 58-64 SS Air conditioner hose clamps 6 pieces . . . . . Set \$11.99

**All prices subject to change without notice. Any installed part is not returnable**



## Show Cars Part #5311A

- 7856 348/409 Air conditioner bracket, tall solid mount (no rubber) for use with Sanden 508 AC pump. Street Rod only, will not fit 58-65 full size Chevrolet . . . . . Ea \$113.50
- 7858 348/409 Air conditioner bracket short solid mount (no rubber) for use with Sanden 508 AC pump. Fits 58-65 full size Chevrolet. (Note: battery will have to be moved to use on a 58) . . . . . Ea \$113.50
- 8498 Sanden 508 Tuff Stuff AC compressor, plain finish, dual V belt. Works with SC#7856 & 7858 348/409 AC brackets . . . . . Ea \$248.00
- 8499 Sanden 508 Tuff Stuff AC compressor, polished finish, dual V belt. Works with SC#7856 & 7858 348/409 AC brackets . . . . . Ea \$286.00
- 8500 Sanden 508 Tuff Stuff AC compressor, chrome finish, dual V belt. Works with SC#7856 & 7858 348/409 AC brackets . . . . . Ea \$200.00
- 3187 58-64 Air conditioner cable clamp screw . . . . . Ea \$2.75
- 6588 Alt/Gen/PS Pulley Nut . . . . . Ea \$2.50
- 6052 60-up GM A6 compressor with 5" clutch can also be used on 58-59 with 60-up bracket . . . . . Ea \$309.00
- 6909 AC bracket grommets (3pcs) . . . . . Set \$29.95
- 6912 9" AC bracket bolt . . . . . Ea \$4.50
- 6913 AC bushing insert . . . . . Ea \$15.00
- 6914 AC bracket bolt kit . . . . . Kit \$21.00

## VALVE COVERS-CORRECT REPRODUCTION . . . . . 02.550

- 8624 58 348 Valve cover all except 3x2 (Raw) . . . . Pr \$299.00
- 7269 58 348 Valve cover all except 3x2 (painted) . . Pr \$409.00
- 8625 58 348 Valve cover 3x2 (Raw) . . . . . Pr \$299.00
- 7270 58 348 Valve cover 3x2 (painted) . . . . . Pr \$409.00
- 7271 59-61 348 Valve cover 1x4 (raw) . . . . . Pr \$299.00
- 7272 59-61 348 Valve cover 1x4 (painted) . . . . . Pr \$409.00
- 7273 59-61 348 Valve cover 3x2 (raw) . . . . . Pr \$299.00
- 7274 59-61 348 Valve cover 3x2 (painted) . . . . . Pr \$409.00
- 9213 61 409/360 hp valve covers with fake drippers and decals (painted) . . . . . Pr \$439.00

- 9214 61 409/360 hp valve covers with drippers and decals (painted) . . . . . Pr \$499.00
- 7275 61-64 1/2 Valve cover w/ drippers (raw) . . . . Pr \$385.00
- 7277 61-64 1/2 Valve cover w/ fake drippers (raw) . . Pr \$329.00
- 7279 61-64 1/2 Valve cover no drippers (raw) . . . . Pr \$299.00



## Show Cars Part #7276

- 7276 62 409/409 Hp valve cover w/decals & drippers (painted) . . . . . Pr \$499.00
- 7278 62 409/409 Hp valve cover w/decals and fake drippers (painted) . . . . . Pr \$439.00
- 7281 62 409/380 Hp valve cover w/decals and drippers (painted) . . . . . Pr \$499.00
- 7283 62 409/380 Hp Valve cover w/decals and fake drippers (painted) . . . . . Pr \$439.00



## Show Cars Part #7282

- 7282 63-64 1/2 Valve cover w/drippers (chrome) . . Pr \$439.00
- 7284 63-64 1/2 Valve cover w/fake drippers (chrome) . . . . . Pr \$375.00
- 7280 63-64 1/2 Valve cover no drippers (chrome) . . Pr \$329.00
- 7285 64 1/2-65 Valve cover no drippers (raw) . . . . Pr \$299.00
- 7286 64 1/2-65 Valve cover no drippers (chrome) . . . . Pr \$329.00
- 7287 64 1/2-65 Valve cover w/drippers (raw) . . . . Pr \$385.00

**Go to Show-Cars.com for updates and many more pictures**

# 507-233-1958 Fax 507-354-1959 1-24 Catalog 27

7288	64 1/2-65 Valve cover w/drippers (chrome) . . Pr	\$439.00
7289	64 1/2-65 Valve cover w/fake drippers (raw) . . . . . Pr	\$329.00
7290	64 1/2-65 Valve cover w/fake drippers (chrome) . . . . . Pr	\$375.00

## PONTIAC VALVE COVERS . . . . . 02.550

63-65 Pontiac 409 valve covers, no Bowtie, no drippers (chrome) . . . . . Pr	\$329.00
63-65 Pontiac 409 chrome valve covers, no Bowtie, fake drippers . . . . . Pr	\$375.00
63-35 Pontiac 409 chrome valve covers, no Bowtie, with drippers . . . . . Pr	\$439.00

## VALVE COVERS-CUSTOM . . . . . 02.550



### Show Cars Part #6755

6755	348/409 Chrome valve cover, no bow tie . . . . . Pr	\$125.00
8855	348/409 Chrome valve cover, no bow tie, pack of 5 pair. . . . . Pk	\$544.50
8329	348/409 Raw valve cover, no bow tie or brackets . . . . . Pr	\$109.00
7360	Edelbrock Classic series 348/409 valve cover, polished . . . . . Pr	\$587.95
7361	Edelbrock Classic series 348-408 valve cover, black . . . . . Pr	\$381.95
8802	Edelbrock Classic series 348/409 valve cover, satin . . . . . Pr	\$287.95
7247	348-409 PML cast aluminum valve cover with Chevrolet script . . . . . Pr	\$575.00
7248	348-409 PML cast aluminum valve cover, with Chevrolet script orange powder coat . . . . . Pr	\$775.00
7249	348-409 PML cast aluminum valve cover, with Chevrolet script, polished . . . . . Pr	\$875.00
7250	348-409 PML cast aluminum valve cover, with Chevrolet	

8853	script, black powder coat . . . . . Pr	\$775.00
8854	348/409 aluminum valve covers natural cast finish . . . . . Pr	\$575.00
8662	348/409 aluminum valve covers, polished . . . . . Pr	\$875.00
8663	348 Black finned valve covers . . . . . Pr	\$540.00
8664	409 Black finned valve covers . . . . . Pr	\$540.00
9000	348 Polished finned valve covers . . . . . Pr	\$729.00
9001	348 Cast finned valve covers w/348 logo . . . . . Pr	\$374.00
8665	409 Cast finned valve covers w/409 logo . . . . . Pr	\$374.00
	409 Polished finned valve covers . . . . . Pr	\$729.00

OF5042	348/409 Offenhauser vinned aluminum valve cover . . . . . Pr	\$695.00
--------	--	----------

## VALVE COVER ACCESSORIES . . . 02.550

3349A	348-409 Valve cover gasket, cork . . . . . Pair	\$22.50
6710	348/409 Valve cover gasket, 3/8" cork . . . . . Set	\$46.50
7888	348/409 Valve core gasket, Edelbrock (core reinforced composite) . . . . . Pr	\$69.95
5962	348/409 Valve cover extensions 3/16 steel . . . Ea	\$27.23
5921	348/409 Valve cover bolt gaskets, 12 pieces. . . Set	\$10.00



### Show Cars Part #5584

5584	62-65 409 Dropper rail for inside valve covers. Sold in eaches . . . . . Ea	\$43.56
5962	348/409 Valve cover extensions 3/16 steel . . . Ea	\$27.23
8416	348/409 Valve cover extensions 3/8 aluminum Pr	\$139.00
8417	348/409 Valve cover extensions 3/4 aluminum Pr	\$189.00
1146	58-63 Valve cover screws and washers 327 . . Set	\$15.29
1147	58-63 Valve cover screws and washers 348/409 . . . . . Set	\$17.29
1149	64 Valve cover bolts and washers 327 . . . . . Set	\$10.80
1148	64 Valve cover bolts and washers 409 . . . . . Set	\$14.29
5921	Valve cover bolt and screw gaskets 16 pc. . . . . Set	\$6.24
5693	Valve cover cap screws for aluminum valve covers 1 inch, 12 pcs . . . . . Set	\$10.50

## SPARK PLUG WIRE SUPPORTS . . 02.600

3062	58-64 Small block wire holder, fits either side, holds 4 wires . . . . . Ea	\$6.00
5327	58-61 Spark plug wire support driver side upper small block . . . . . Ea	\$22.97
5326	58-67 Spark plug wire support passenger side upper small block . . . . . Ea	\$10.29

**All prices subject to change without notice. Any installed part is not returnable**

# Page 28 Show-Cars.com 1-24 Catalog

5328 62-66 Spark plug wire support driver side upper small block  
 ..... Ea \$29.75



**Show Cars Part #3061**

## Show Cars Part #5445

5448 58-61 348 3x2 4 wire support ..... Ea \$29.04  
 5445 58-63 348-409 4 wire support (driver)..... Ea \$29.04  
 5446 58-63 348-409 4 wire support (passenger).... Ea \$29.04  
 5447 58-63 349-409 2 wire support..... Ea \$11.55



3061 63 -66 409 4 wire spark plug retainer clips on valve cover  
 ..... Ea \$5.00  
 3061A 63 late-65 409 2 wire spark plug retainer clips on valve cover  
 ..... Ea \$6.00  
 5438 64-66 Plug wire retainer set 409, 396, 427.... set \$29.75  
 5439 67-74 Plug wire retainer set Big Block, 396, 427, 454  
 ..... Set \$21.60



## Show Cars Part #5443

5443 63 1/2-65 409 4 wire support fits passenger or driver side,  
 weld on ..... Ea \$26.40  
 5444 63-1/2-65 2 wire support. Welds on valve cover  
 ..... Ea \$11.55

## Show CarsPart #7600

### SPARK PLUG WIRE SEPERATORS 02.600

5449 58-64 Plug wire clips 283/327 small block on oil pan  
 ..... Ea \$13.01  
 4732 58-60 Ignition wire grommet 4 wire small block  
 ..... Ea \$4.25  
 3061B 58-74 4 wire spark plug separator..... Ea \$6.00  
 3061C 58-74 2 wire spark plug separator..... Ea \$6.00  
 3063 58-64 Small block spark plug heat shield..... Set \$31.42  
 3063A Small block 2 wire separator package of 4.... Set \$13.50

7600 Custom 409 plug wire separators, ideal for aluminum valve  
 covers ..... Set \$27.75  
 8454 Spark plug wire male tower (HEI) plug boot, straight distribu-  
 tor boot 90 degree, black..... Ea \$72.45

### SPARK PLUG SETS..... 02.620

3387 AC Delco R45 spark plugs for sm block & Early 58 348  
 ..... Set \$33.00  
 7486 AC Delco R43 spark plugs for sm block and early 58 348  
 ..... Set \$33.00  
 3388 AC Delco spark plugs for 348/409 (T43XLS) . Set \$33.00  
 3389 AC Delco spark plugs for 348/409 (T44XLS) . Set \$33.00  
 7470 Autolite spark plugs for Edelbrock heads with 9.5-1 compres-  
 sion pistons ..... Set \$37.00  
 7471 Autolite spark plugs for Edelbrock heads with 10.5-1 com-

**Go to Show-Cars.com for updates and many more pictures**

# 507-233-1958 Fax 507-354-1959 1-24 Catalog 29

pression pistons. . . . . Set \$37.00  
 7472 Autolite spark plugs for Edelbrock heads with 11.5-1 compression pistons. . . . . Set \$37.00

## SPARK PLUG WIRE SETS . . . . . 02.620

3255 58-64 283/327 AC Delco spark plug wires. . . . Set \$46.20  
 3972 58-61 348-409 with one carburetor. . . . . Set \$86.50  
 3973 58-61 348 spark plug wire set, tri-power . . . . Set \$86.50  
 5542 58-61 Small block plug wire set, not dated . . . Set \$86.50  
 5727 348/409 plug wire set not dated . . . . . Set \$37.45  
  
 6670 348/409 MSD plug wire w/HEI male ends. . . . Set \$59.90  
 6801 348/409 Delco HEI 8MM plug wires with GM HEI cap (Black) . . . . . Set \$59.95  
 8455 348/409 Pertronix 7MM plug wires, straight female socket plug boot, 90\* distributor boot, will fit stock wire looms. . . . . Set \$72.45  
  
 6157 348/409 HEI Plug wire retainer, black . . . . . Ea \$12.95  
 6158 348/409 HEI Plug wire set, grey w/black boots . . . . . Set \$38.43  
  
 3974 61 348-409 With one carburetor dated 1-Q-61 . . . . . Set \$86.50  
 5543 61 Small block plug wire set ,dated 1-Q-61 . . . . . Set \$86.50  
 5544 62 Small block plug wire set , dated 3-Q-61 . . . . Set \$86.50  
 5545 62 Small block plug wire set, dated 1-Q-62 . . . . Set \$86.50



## Show Cars Part #3976

3976 62 409 dated 3-Q-61 . . . . . Set \$86.50  
 3977 62 409 dated 1-Q-62 . . . . . Set \$86.50  
  
 3978 63 409 dated 3-Q-62 . . . . . Set \$86.50  
 3979 63 409 dated 1-Q-63 . . . . . Set \$86.50  
 5546 63 Small block plug wire set , dated 3-Q-62 . . . . Set \$86.50  
 5547 63 Small block plug wire set , dated 1-Q-63 . . . . Set \$86.50  
  
 3980 64 409 dated 3-Q-63 . . . . . Set \$86.50  
 3981 64 409 dated 1-Q-64 . . . . . Set \$86.50  
 5548 64 Small block plug wire set, dated 3-Q-63 . . . . Set \$86.50

## DISTRIBUTOR PARTS . . . . . 02.680

6715 MSD 6AL ignition control box. . . . . Ea \$290.00  
 7728 Procomps ignition box. Electric ignition PC6AL multi spark Ea \$150.00  
 8679 Procomps modulator for SC#7620 distributor. Ea \$30.00  
 3173A 55-74 Vacuum advance curve kit . . . . . Ea \$19.95  
 3206 58-64 Distributor lead wire with terminal . . . . Ea \$11.50  
 6936 348/409 HEI Pigtail . . . . . Ea \$14.75  
  
 3032 58-64 All Distributor spring lid oil cap. . . . . Ea \$5.45  
 4276 58-64 Distributor tag Delco-Remy . . . . . Ea \$6.05  
 5974 348/409 Mallory breakerless ignition conversion, fits stock distributor . . . . . Ea \$199.50  
 7005 348/409 Accel breakerless ignition conversion, (points to electronic) fits stock cap. Adjustable rev limiter. Ea \$124.50  
  
 6096 Bronze distributor gear, used with roller cams, .491 diameter shaft . . . . . Ea \$28.00  
 7335 Motorville bronze distributor gear, used with roller cams, .500 diameter shaft . . . . . Ea \$28.00  
 6597 348/409 Distributor drive gear . . . . . Ea \$53.95  
 6598 348/409 Distributor housing to gear shim . . . . Ea \$3.00  
 3171 58-64 Hi-perf Point set with high tension spring . . . . . Ea \$24.95  
 3172 58-64 Condenser . . . . . Ea \$8.60  
  
 8848 348/409 Distributor hold down clamp, reproduction . . . . . Ea \$15.95  
 6848 348/409 Distributor hold down clamp, chrome . . . . . Ea \$6.59  
 3230 58-64 Distributor hold down & bolt. steel . . . . Kit \$7.43  
 5911 348/409 distributor gasket. . . . . Ea \$2.25



## Show Cars Part #7719

7719 Small block distributor adapter sleeve . . . . . Ea \$95.99

## DETAILING TAGS . . . . . 02.690

**All prices subject to change without notice. Any installed part is not returnable**

# Page 30 Show-Cars.com 1-24 Catalog

3981	64 409 dated 1-Q-64 . . . . .	Set	\$86.50
5548	64 Small block plug wire set, dated 3-Q-63 . .	Set	\$86.50
5549	64 Small block plug wire set, dated 1-Q-64 . .	Set	\$86.50
5566	65 409 Plug wire set, dated 3-Q-64 . . . . .	Set	\$86.50

## DISTRIBUTOR CAPS . . . . . 02.680

3382	V8 Single point cap with copper inserts, black . . . . .	Ea	\$55.00
8240	V8 Single point cap and rotor with copper inserts, maroon . . . . .	Ea	\$55.00
8229	V8 Single point with alum inserts, black . All V8 except dual point . . . . .	Ea	\$14.50
9191	Chevrolet dual window distriputo cap . . . . .	Ea	\$55.00
6717	MSD Pro cap kit. Use on 6475 distributor . . . . .	Ea	\$65.94
8371	MSD replacement cap, original style, black. . . . .	Ea	\$44.50
8372	MSD replacement cap, original style, red. . . . .	Ea	\$38.75
8695	Modulator for MSD 85551 distributor (our #6475) . . . . .	Ea	\$48.50
6159	348/409 HEI distributor cap, black. . . . .	Ea	\$17.85
7013	348/409 HEI distributor cap, red . . . . .	Ea	\$17.85
6560	348-409 Mallory replacement cap . . . . .	Ea	\$29.90
7729	Procomps small red distributor cap. Use with #7620 & #7621 distributor . . . . .	Ea	\$10.00
8423	Procomps Female distributor cap black, use with SC #7620 & 7621 . . . . .	Ea	\$8.50
8424	Procomps Female distributor cap red, use with SC #7620 & 7621 . . . . .	Ea	\$8.50
8676	Procomps Male distributor cap black, use with SC #7620 & 7621 . . . . .	Ea	\$8.50
8677	Procomps Male distributor cap red, use with SC #7620 & 7621 . . . . .	Ea	\$8.50
8678	Procomps Male distributor cap blue, use with SC #7620 & 7621 . . . . .	Ea	\$8.50
7730	Procomps large red distributor capt. Use with #6931		
8389	Pertronix distributer cap, red, female sockets use with #8391 and 8392 . . . . .	Ea	\$41.95
8390	Pertronix distributer cap, black, female sockets use with #8391 and 8392. . . . .	Ea	\$41.95
8519	348/409 HEI male distributor cap, black, will fit 58-86 distributors . . . . .	Ea	\$29.95
8520	Pertronix Distributor cap, red male HEI. Replcement for SC #8457 & 8460 . . . . .	Ea	\$51.95

## DISTRIBUTORS, USING POINTS . . 02.680

8535	348/409 Single point distributor with vacuum advance . . . . .	Ea	\$185.00
------	--	----	----------

## DISTRIBUTORS, ELECTRONIC . . . 02.680

*Most after market distributors will interfere your air cleaner.*

6561	348/409 Mallory replacement condenser . . . . .	Ea	\$14.50
6562	348/409 Mallory replacement point set - dual point needs two		

9049	sets . . . . .	Ea	\$38.95
9051	348/409 Pro Series ready to run distributor. Female cap uses up to 65,000 volt coil, adjustable vacuum. Up to 7,000 RPM . . . . .	Ea	\$185.00
6706	348/409 Pro Series electronic distributor ready to run, male cap, adjustable vacuum. . . . .	Ea	\$175.00
6475	348-409 MSD #8393 Electronic distributor, ready to run vacuum advance, must use MSD Wires or you can use stock distributor cap and wires. . . . .	Ea	\$599.00
8391	348/409 MSD distributor #85551, mechanical advance, needs #6,7 or 8 ignition control . . . . .	Ea	\$439.00
8392	348/409 Pertronix plug and play igniter II billet distributor with red female socket cap . . . . .	Ea	\$397.95
8617	348/409 Pertronix plug and play igniter II billet distributor with black female socket cap . . . . .	Ea	\$397.95
8456	348/409 Igniter II Distributor, Coil and wire kit (SC part numbers 8392, 8449 and 8455). . . . .	Kit	\$530.85
8457	348/409 Pertronix plug and play Ignitor II billet distributor, w/ vacuum advance. Black male HEI cap . . . . .	Ea	\$428.45
8459	348/409 Pertronix plug and play Ignitor II billet distributor, w/ vacuum advance. Red male HEI cap . . . . .	Ea	\$428.45
8460	348/409 Pertronix plug and play Ignitor III billet distributor, w/ vacuum advance. Black male HEI cap . . . . .	Ea	\$427.95
8461	348/409 Pertronix plug and play Ignitor III billet distributor, w/ vacuum advance. Red female HEI cap . . . . .	Ea	\$419.00
8462	348/409 Pertronix plug and play Ignitor III billet distributor, w/ vacuum advance. Black male HEI cap . . . . .	Ea	\$459.95
9188	348/409 Pertronix plug and play Ignitor III billet distributor, w/ vacuum advance. Red male HEI cap . . . . .	Ea	\$457.45
8830	348/409 Edelbrock Mas-Fire ready to run distributor . . . . .	Ea	\$449.
8360	348/409 MSD Flat top pro billet distributor needs #6, 7 or 8 ignition control. . . . .	Ea	\$510.00
	MSD Small Block distributor electronic with vacuum advance ready to run for use in World Block . . . . .	Ea	\$279.50

## DISTRIBUTORS, CRANK TRIGGERED . . . 02.680

6714	348/409 MSD low profile distributor #8489, 3.75" tall from intake, no vacuum or mechanical advance. Needs MSD 6, 7 or 8 Ignition control box. . . . .	Ea	\$369.00
------	---	----	----------

**Go to Show-Cars.com for updates and many more pictures**



**Show Cars Part #5358**

- 5358 Delco detail tags, set of three . . . . . Ea. \$16.50
- 6539 58-65 Blank distributor tags. . . . . Ea \$16.50

**STARTER . . . . . 02.700**

- 323254 348-409 Rebuilt starter-2 bolt to block with auto transmission (Replaces 3 bolt) . . . . . Ea \$124.00
- 323220 348-409 Rebuilt starter-3 bolt to bell housing with 3 & 4 Speed transmission . . . . . Ea \$125.00
- 8323 348/409 New Powermaster starter, AC Delco style, bolts to block (will not fit 64 and newer dust cover cast aluminum mounting) . . . . . Ea \$162.00
- 6103 348/409 Hi-torque mini starter, bolts to block, bolts included, no warranty . . . . . Ea \$169.50
- 8537 348/409 Powermaster Master torque mini starter staggered bolt pattern 180 ft pounds torque . . . . . Ea \$226.99
- 8538 348/409 Powermaster XS torque mini starter staggered bolt pattern 200 ft pounds torque for carbureted engines . . . . . Ea \$233.99
- 8539 348/409 Chrome XS torque mini starter staggered bolt pattern 200 ft pounds of torque for carbureted engines . . . . . Ea \$331.99
- 8540 348/409 Power Master Ultra Torque mini starter staggered bolt pattern, 250 plus ft pounds torque. . . . . Ea \$339.99
- 8646 348/409 New Powermaster AC Delco style starter. Bolts to bell housing for 3 and 4 speed transmission. . . . . Ea \$185.00
- 8324 348/409 Powermaster Hi-torque mini starter bolts to block 160 ft pounds torque 5:1 gear reduction 1.8 HP for 10.1 compression or less . . . . . Ea \$172.00
- 8647 348/409 New Powermaster AC Delco style starter. Bolts to bell housing for 3 and 4 speed transmission. Chrome . . . . . Ea \$224.99
- 8648 348/409 Powermaster ultr high speed starter. Staggered block mount . . . . . Ea \$344.50
- 9018 Powermaster diode kit (Ballast by pass system). . . . . Kit \$23.89
- 7064 Starter heat shield . . . . . Ea \$19.99
- 3217 63 Late 64-65 starter bolt to block 409. . . . . Set \$16.23
- 4774 58-63 starter bolt to bell housing 348/409 . . . . . Set \$14.75
- 6295 Mini Starter bolt kit, fits Show Cars starter numbers 6103,

- 8323, 8324. . . . . Kit \$22.00
- 3384 57-70 Starter solenoid all aftermarket. . . . . Ea \$20.85
- ACD981 57-70 Starter solenoid switch for all V8 and 6 cylinder AC Delco . . . . . Ea \$55.00
- 6313 6 Amp 400 volt diode use with ministarters and ballast resistors . . . . . Ea \$24.00
- 3218 Sm block starter brace bracket . . . . . Ea \$14.95

*Powermaster products sold and used on the street, including all chrome products, are warranted for one year to be free of defects in workmanship and materials. This warranty is limited to repair or replacement only. Consequential damages are not covered. Chrome of any manufacture is subject to chips or discoloration when exposed to heat. For this reason, defects in the finish are limited to the time of installation.*

**COIL . . . . . 02.700**

- 3896 Replacement coil. . . . . Ea \$18.70
- 6786 MSD Blaster 3 Coil. . . . . Ea \$56.50
- 6669 MSD Blaster 2 coil . . . . . Ea \$50.00
- 6155 348/4591309 HEI Coil . . . . . Ea \$29.30
- 6160 348/409 HEI Super Coil . . . . . Ea \$88.99
- 7726 Procomp 348/409 PC-91 high output E-core ignition coil. Use with #7620 & #7621 distributor . . . . . Ea \$30.00
- 8448 348/409 Pertronix Chrome Flame Thrower II 45,000 volt female cannister coil . . . . . Ea \$65.95
- 8449 348/409 Pertronix Black Flame Thrower II 45,000 volt female cannister coil. . . . . Ea \$59.45
- 8450 348/409 Pertronix Chrome Flame Thrower III 45,000 volt High Current female cannister coil. . . . . Ea \$64.95
- 8451 348/409 Pertronix Black Flame Thrower III 45,000 volt High Current female cannister coil . . . . . Ea \$60.45
- 8452 348/409 Pertronix black Flame Thrower HC 60,000 volt square male HEI coil (.045 Ohms) . . . . . Ea \$113.95
- 8453 348/409 Pertronix black Flame Thrower HC 60,000 volt square male HEI coil (1.5 Ohms) . . . . . Ea \$113.95
- 7834 Coil wire for electronic distributor with male cap (HEI style) and female coil . . . . . Ea \$9.95
- 7835 Coil wire for electronic distributor with male cap (HEI style) and male coil. . . . . Ea \$9.95

**All prices subject to change without notice. Any installed part is not returnable**



## Show Cars Part #7201

7201	61 348 3x2 coil bracket, mounts on firewall . . . Ea	\$52.90
6918	Chrome coil cover & bracket, mounts on firewall Ea	\$8.00
1063A	58-62 coil bracket, 6 cylinder & 58-60 348 with 3x2 ..... Ea	\$18.00
1063	58-64 Coil bracket 61-65 409; 58-61 348 1x4; 58-59 small block all models ..... Ea	\$19.91
6681	Coil condenser bracket ..... Ea	\$9.95
6690	Coil condenser for all cars with radio ..... Ea	\$9.50
6162	348/409 HEI coil cover ..... Ea	\$16.00
6156	348/409 HEI coil cover, black ..... Ea	\$13.10
6716	Adapter for Std. stock to HEI wires ..... Ea	\$22.50

## ROTOR ..... 02.700

3386	58-64 AC/Delco with copper post ..... Ea	\$6.95
8670	Rotor for Pro-Comp 7620 and 7621 distributor ..... Ea	\$9.50

## BALLAST RESISTOR ..... 02.700



## Show Cars Part #1118

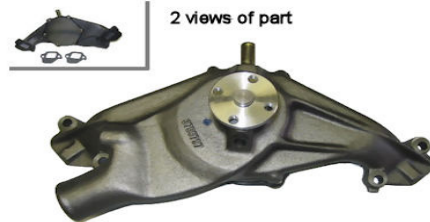
1118	58-64 High performance ballast resistor black dot 409 .3 OHMS ..... Ea	\$30.00
1119	58-67 Low performance ballast resistor blue stripe - 63-67 vette without fuel injection 64-65 409 with hydraulic lifters 409 ..... Ea	\$30.00

## VOLTAGE REGULATOR ..... 02.700

5537	55-62 Voltage regulator ..... Ea	\$125.00
6205	63-68 Voltage regulator ..... Ea	\$99.50
3916	58-64 Voltage regulator #8 screw kit (3 piece). ..... Set	\$4.13

3917	58-64 Voltage regulator screw kit with grommets (includes 3 screws and 3 grommets) ..... Set	\$9.50
1192	58-64 Voltage regulator #14 Screw kit ..... Set	\$4.13

## WATER PUMP ..... 02.750



## Show Cars Part #7148

7148	58-64 New 348/409 Water pump #3755797, will not work with 3x2 intakes ..... Ea	\$157.83
7199	348/409 Edelbrock Aluminum water pump ... Ea	\$445.95
7631	348/409 Cast aluminum water pump(imported) ..... Ea	\$144.00



## Show Cars Part #7632

7632	348/409 Polished aluminum water pump (imported) ..... Ea	\$178.00
9077	348/409 Chrome water pump ..... Ea	\$199.90

*Edelbrock and GM water pumps have flow rate of 32 GPM @4000 RPM with a 7" crank pulley and 7" water pump pulley.*

7629	348/409 Pro Comp electric water pump (imported) 1 Year warranty ..... Ea	\$359.00
6202	348/409 Water pump back cover gasket ..... Ea	\$4.95
7531	348/409 Water pump to block spacer, 1/4" ... Ea	\$39.50
3588	348/409 Water pump to block gasket ..... Pr	\$3.99
7532	348/409 Water pump block off plates ..... Set	\$14.95
9222	55-70 All cast water pump impeller, original .. Ea	\$25.00
9223	55-70 All New water pump hub ..... Ea	\$18.00

**Go to Show-Cars.com for updates and many more pictures**



# 507-233-1958 Fax 507-354-1959 1-24 Catalog 33

3732750	58-348 Rebuilt water pump . . . . .	Ea	\$200.00
3755797	59-60 348 Rebuilt water pump . . . . .	Ea	\$200.00
3765797	63-64 409 Rebuilt water pump . . . . .	Ea	\$200.00
3850145	64 late -65 409 Rebuilt water pump . . . . .	Ea	\$188.00

Core charge on 58-60 and 63-65 water pumps \$35.00

5324	58-64 Small block water pump rebuild kit . . . . .	Kit	\$95.00
5323	58-64 348-409 Water pump rebuild kit . . . . .	Kit	\$95.00
5968	64 late + 65 409 Water pump rebuild kit . . . . . (1.98" bearing boss, pump length 5.75") . . . . .	Ea.	\$67.00
7105	58-64 V8 water pump shaft seal . . . . .	Ea	\$22.00
7192	58-64 V8 water pump seal installation tool . . . . .	Ea	\$17.00
4269	58-65 348-409 Power steering bracket, dipstick tube, idler pulley bracket to exhaust manifold stud . . . . .	Ea	\$10.00
4872	58-64 By-pass fitting intake manifold inlet and water pump . . . . .	Ea	\$9.68

## FAN BLADE/CLUTCH . . . . . 02.750

3391	Replacement 327/348/409 fan clutch . . . . .	Ea	\$59.99
------	--	----	---------



## Show Cars Part #4825

9186	17" Seel fan blade for use with clutch . . . . .	Ea	\$72.50
4825	348/409 & 327 with air fan clutch original type	Ea	\$235.75
7181	283, 327, 348, 409 fan clutch eliminator . . . . .	Ea	\$75.00
3392A	Steel 6 Blade flex fan, replacement type without clutch . . . . .	Ea	\$55.00
3393	OEM Steel 6 blade fan use without clutch, 17" . . . . .	Ea.	\$59.50
6292	4 blade fan for 6cyl. and V8, use w/o clutch, not for hi perf. or AC . . . . .	Ea	\$40.00
6021	2" spacer replaces fan clutch when using replacement fan blades #3393 & #3392A . . . . .	Ea.	\$22.00
6992	59-72 Spal dual 10" electric high performance fan/shroud combo for Northern cross flow radiators . . . . .	Ea	\$319.75
6997	59-72 Spal dual 10" electric High performance fan/shroud combo for original radiators.. . . . .	Ea	\$284.00

6993	Relay for high performance electric fans . . . . .	Ea	\$29.50
6994	Automatic thermostat switch for electric high performance fans . . . . .	Ea	\$45.00
8350	Replacement fan for 6992 and 6997 fan/shroud combo . . . . .	Ea	\$89.00

## THERMOSTAT . . . . . 02.751

5490	55-68 Chrome thermostat housing, with bolts and 'O' ring . . . . .	Ea	\$17.50
5489	55-65 Cast iron thermostat housing. . . . .	Ea	\$16.50
6584	58-68 Cast aluminum thermostat housing . . . . .	Ea	\$90.00
8237	55-72 Standard 180 thermostat . . . . .	Ea	\$10.95
8238	55-72 Standard 160 thermostat . . . . .	Ea	\$10.95
5496	55-72 160 Prestone High Flow thermostat . . . . .	Ea	\$8.80
5497	55-72 180 Prestone High Flow thermostat . . . . .	Ea	\$8.80

## MOTOR MOUNTS. . . . . 02.780

6591	58-64 Motor mount brackets, all V8, bolts to frame . . . . .	Pr	\$45.00
------	--	----	---------



## Show Cars Part #3372

3372	58-65 348/409 Motor mounts with safety lock, bolts to block . . . . .	Ea	\$35.00
3372A	58-65 348-/09 solid motor mounts (not recommended for street use) . . . . .	Pr	\$59.50
6531	58-65 327/348 GM NOS motor mounts w/o safety lock . . . . .	Ea	\$30.75
7122	58-64 Polyurathane motor mounts w/ safety lock . . . . .	Pr	\$115.00
7656	63-64 6 Cyl motor mounts bolts to frame. . . . .	Pr	\$35.99

## CRANKCASE VENTILATION. . . . . 02.800

**All prices subject to change without notice. Any installed part is not returnable**



## Show Cars Part #8804

8804	58-62 348/409 Road draft kit, includes tube, bolt, gasket and bracket	Kit	\$119.80
1078	58-62 348/409 Road draft tube	Ea	\$97.50
4211	58-62 Road draft tube bracket	Ea	\$13.31
4858	58-65 Road draft tube bolt with Gasket	Ea	\$10.45
4252	58-63 Small block road draft tube	Ea	\$97.50
6083	63 Small block PCV tube	Ea	\$19.80



## Show Cars Part #6945

6945	Custom 348/409 PCV kit for 3x2	Kit	\$60.00
7300	Custom 348/409 PCV kit for 1x4	Kit	\$60.00
7301	Custom 348/409 PCV kit for 2x4	Kit	\$60.00
8581	Custom 58-65 Small block PCV kit for 1x4	Kit	\$60.00
9088	Custom 58-65 Small block PCV kit for 3x2	Ea	\$60.00
1086	63 PCV block "L" connector 1/2 inch	Ea	\$15.54
1086A	63 PCV grommet	Ea	\$7.26
1086B	63-67 PCV valve	Ea	\$13.95
1086C	63 PCV hose 1/2 inch x 18 inch	Ea	\$7.15
1086D	63-64 PCV Hose clamp	Ea	\$2.42
7152	63 Vent hose from oil filler to air cleaner w/GM marking	Ea	\$4.95
8307	63 Air cleaner grommet 1" with 1/2" hole for #1086 "L" con-		



## Show Cars Part #1087

1087	63 PCV Kit, 1x4 without air cond and power brakes. Includes 1086, 1086A, B, C,D & 1088	Kit	\$39.95
1087A	63 PCV Kit, 2x4 without air cond and power brakes. Includes 1086, 1086A, B, C,D & 3971	Kit	\$39.95
1088	63 PCV 45 degree fitting 327, 409	Ea	\$12.05
3223	63 PCV Fitting 409 back of carb for power brakes	Ea	\$29.50
3223A	63 PCV Fitting 409 back of carb for air cond & power brakes	Ea	\$33.50
3971	63 PCV 90 degree fitting	Ea	\$10.95
5298	63-66 PCV hose clip	Ea	\$27.50
3203	64 Up PCV flame arrestor	Ea	\$12.05
1088A	64 PCV "L" fitting 409 back of carb restricted	Ea	\$39.50
4275	64 PCV hose 3/8" X 24"	Ea	\$10.89
5314	64 Vacuum fitting for power brakes and AC, 409-340hp	Ea	\$15.68
3023	64-65 Air cleaner to crankcase vent hose 1" X 3", with GM Part number	Ea	\$6.36



## Show Cars Part #5301

5301	64-65 Crankcase vent tube for high performance 409	Ea	\$78.65
5247	64-65 Crankcase vent tube for low performance 409	Ea	\$78.65

Go to Show-Cars.com for updates and many more pictures

# 507-233-1958 Fax 507-354-1959 1-24 Catalog 35

5414 64-65 Crankcase vent tube for small block. . . . Ea \$78.65

## TIMING COVER . . . . . 02.900

7720 348/409 Lo perf. Timing cover, raw . . . . . Ea \$79.00  
 7721 348/409 Hi perf. Timing cover, raw . . . . . Ea \$79.00  
 7722 348/409 Timing cover, raw no tab, for BBC seal  
 . . . . . Ea \$99.00  
 7723R 348/409 timing cover, raw without tab. . . . . Ea \$69.00



### Show Cars Part #7723

7723 348/409 Chrome timing cover, no tab . . . . . Ea \$64.90  
 7723A 348/409 Chrome timing cover, lo perf. . . . . Ea \$79.00  
 7724 348/409 Chrome timing cover, hi perf. . . . . Ea \$79.00  
 9013 348/409 Timing cover chrome no timing tab imported  
 . . . . . Ea \$59.00  
 9014 348/409 Timing cover raw, no timing tab imported, unpainted  
 . . . . . Ea \$49.00  
 9015 348/409 Timing cove zink plated no timing tab, imported  
 . . . . . Ea \$49.00  
 7725 348/409 Chrome timing cover, no tab with BBC seal,  
 . . . . . Ea \$79.00  
 8201 348/409 Aluminum timing cover, will not fit under water  
 pump with out a spacer . . . . . Ea \$259.00

## TIMING COVER, 2-PC . . . . . 02.900

*No need to remove the oil pan in order to change the cam or timing chain and gears.*

7806 348/409 Chrome 2 Pc Quick Change timing cover, no timing  
 tab . . . . . Ea \$139.00



### Show Cars Part #7807

7807 348/409 Steel 2 Pc Quick Change timing cover, lo perfor-  
 mance with timing tab. . . . . Ea \$129.00  
 7808 348/409 Steel 2 Pc Quick Change timing cover hi perfor-  
 mance 409 with tab. . . . . Ea \$139.00  
 7811R 348/409 Steel 2 Pc Qquick Change timing cover no timing  
 tab for BBC seal. . . . . Ea \$139.00  
 7811 348/409 Chrome 2 Pc Quick Change timing cover no timing  
 tab for BBC Seal . . . . . Ea Call  
 7809 348/409 Billet aluminum 2 Pc Quick Change timing cover no  
 timing tab . . . . . Ea \$339.00  
 7809348 348 Billet aluminum 2 Pc Quick Change timing cover no  
 timing tab with 348 logo. . . . . Ea \$339.00  
 7809409 409 Billet aluminum 2 Pc Quick Change timing cover no  
 timing tab with 409 logo. . . . . Ea \$339.00  
 7810 348/409 Billet aluminum 2 Pc Quick Change timing cover no  
 timing tab, for BBC seal . . . . . Ea \$349.00

## TIMING TAB . . . . . 02.900

4786 Weld on timing tab for all 348/409 with 6" or 6-3/4" balanc-  
 ers, high or low performance. . . . . Ea \$21.18  
 6686 Bolt on timing tab for stock 6" & 7" Balancer with correct  
 timing mark. . . . . Ea \$23.95  
 6687 Bolt on timing tab for small block 6-3/4" balancer, marking is  
 offset 10\* to line up the small black balancer. .  
 . . . . . Ea \$23.95  
 6688 Bolt on riming tab for small block or big block 8" balance r  
 . . . . . Ea \$23.95

## HARMONIC BALANCER . . . . . 02.990

5479 58-65 6-1/4" Harmonic balancer for 348 hi and low per-  
 formance and low performance 409 balancer, has correct  
 348/409 timing marks. . . . . Ea \$145.00  
 5480 62-65 409 HI perf 6-3/4 " harmonic balancer, has correct  
 348/409 timing marks . . . . . Ea \$115.00  
 8934 348/409 SFI Certified 6-3/4" Harmonic balancer  
 . . . . . Ea \$199.95  
 6784 70 up Small block 6-3/4" Harmonic balancer will work on  
 348/409, timing mark is off by 10\*. . . . . Ea \$80.00

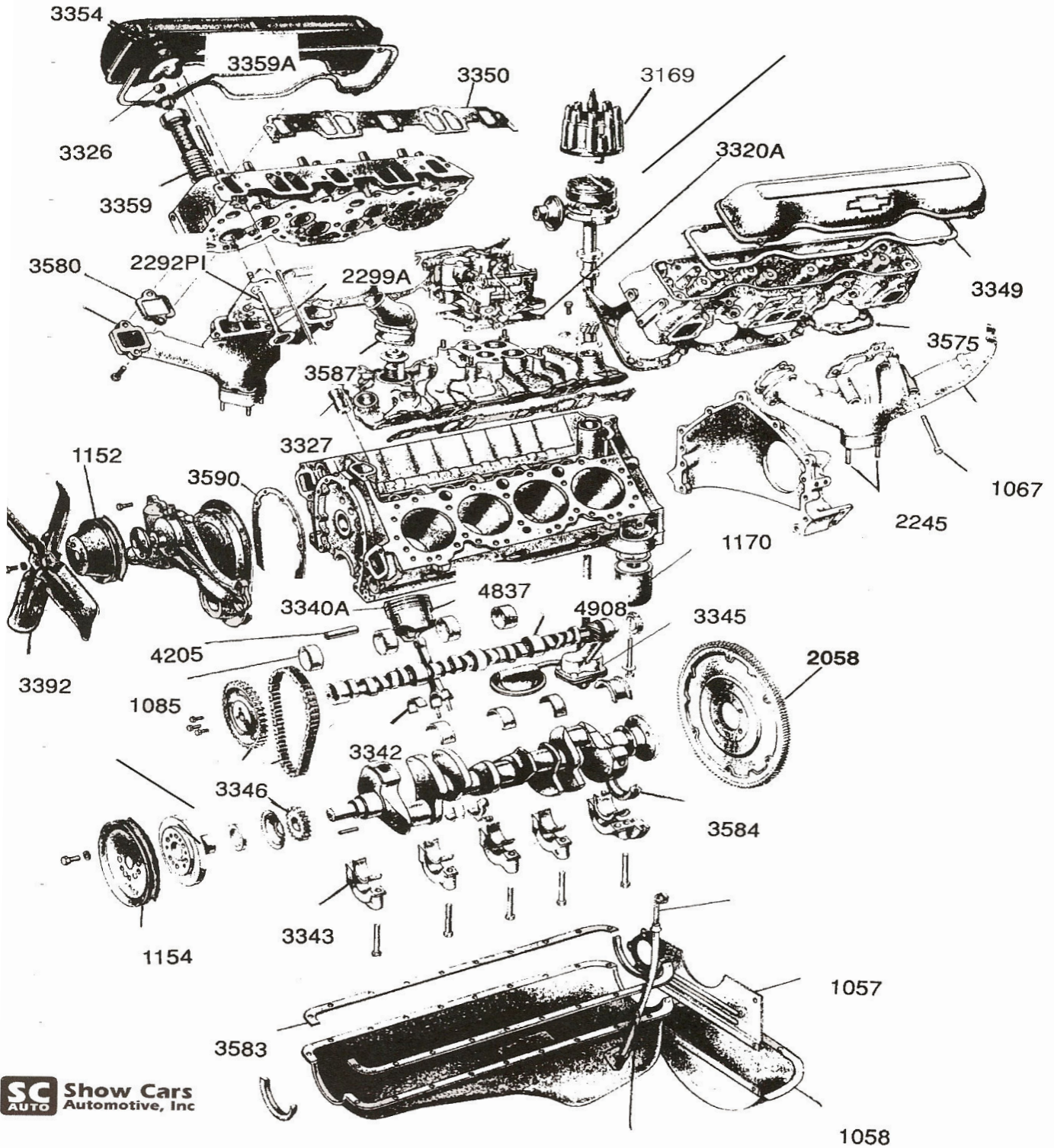
**All prices subject to change without notice. Any installed part is not returnable**

# Page 36 Show-Cars.com 1-24 Catalog

5480A	Small block Fluid Crank balancer will work on 348/409, timing mark is off by 10* . . . . .	Ea	\$258.50
8934	348/409 SFI Certified 6 3/4 " harmonic balancer . . . . .	Ea	\$189.00
3969	58-65 Balancer repair sleeve . . . . .	Ea	\$13.95
6104	58-65 348/409 Crankshaft key kit. . . . .	Ea	\$5.99
3238	Harmonic balancer to crank bolt, washer and lock washer, 3peices . . . . .	Set	\$21.00
9062	348/409 Harmonic balancer bolt kit for use with 4" stroker crank . . . . .	Kit	\$21.00
6181	Harmonic balancer installation tool . . . . .	Ea	\$56.95
6592	Harmonic balancer shim 1/4" . . . . .	Ea	\$18.00
6593	Crankshaft balance and pulley shim 1/8" . . . . .	Ea	\$8.80
6206	Crank/balancer shim, .001 . . . . .	Ea	\$4.40
6207	Crank/balancer shim, .002 . . . . .	Ea	\$4.40
6208	Crank/balancer shim, .003 . . . . .	Ea	\$4.40
6209	Crank/balancer shim, .010 . . . . .	Ea	\$4.40
6210	Crank/balancer shim, .015 . . . . .	Ea	\$4.40
6211	Crank/balancer shim, .020 . . . . .	Ea	\$4.40
6212	Crank/balancer shim, .025 . . . . .	Ea	\$4.40
6213	Crank/balancer shim, .031 . . . . .	Ea	\$4.40
6214	Crank/balancer shim, .047 . . . . .	Ea	\$4.40

**Go to [Show-Cars.com](http://Show-Cars.com) for updates and many more pictures**

# 507-233-1958 Fax 507-354-1959 1-24 Catalog 37



**SC** Show Cars  
AUTO Automotive, Inc

All prices subject to change without notice. Any installed part is not returnable

## Engine Internal . 03

### OIL ADDITIVE..... 03.000

- 7555 GM oil additive and assembly lube, 16 oz . . . . Ea \$29.85
- 7757 Comp Cams oil additive and break in lube, 12 oz bottle  
..... Ea \$11.25

### HEADS ..... 03.010

- 7367 Edelbrock 348/409 large port head, finished use with cam lifts of .600 or under. . . . . Ea \$1,550.50
- 8798 Edelbrock 348/409 large port head, finished for hydraulic or solid roller cams . . . . . Ea \$1,586.50

### CAMSHAFT ..... 03.050

Camshaft warning notice.

Regardless of the supplier, warranties are hard to obtain. Increased quality of machining and materials make it very hard to fault the cam or lifter. Almost all cam manufacturers use the same hardened cores and use computer controlled machines for accurate lobe grinding. The three American lifter manufacturers all rockwell the bottoms of their lifters. Almost all failures are due to coil bind, improper break-in, valve float, foreign material or lifters not rotating in the bore of the block.

We will be glad to help you with any information for a successful cam swap. If you do have a problem, we will be glad to check it and if need be send it to the manufacturer. If it passes the rockwell test, a warranty is almost certainly unobtainable; but if you wish we can still let the manufacturer make a warranty decision.

Please note: Valve lift of camshafts are calculated with a stock rocker arm ratio of 1.75.

To calculate the valve lift for other rocker arm ratio's divide the valve lift shown by 1.75 to get the cam lift. Then multiply by the ratio of the rocker arm you choose to use.

Valve lift in catalog. (.510/1.75=.291\*1.70=.495)

Please call if you have question.

- 6174 Needle bearing cam button for roller cams. . . . Ea \$22.95
- 3967 Camshaft Lube . . . . . Ea \$6.95
- 9187 Isky Re Lube XP2000. . . . . Ea \$12.95
- 8155 348/409 Camshavt wear plate .031 thick . . . . Ea \$16.95
- 7544 348/409 Cloyes thrust needle bearing wear plate .0150 thick

### FLAT TAPPET HYDRAULIC CAMSHAFTS. 03.050

- 0901 348/409 Stock hydraulic .403 intake valve lift, .415 exh valve lift, .248, .250 duration at .050, 112\* lobe separation, 1500-4000 power range can use springs #3357, 3359, 6108  
..... Ea \$299.00
- 0945 348/409 Comp hydraulic .448 intake and exh valve lift, .196 duration at .050 110\* lobe separation, 800-4800 power range, can use springs #3357, 3359, 6108 . . . . . Ea \$675.00
- 0911 348/409 Isky hydraulic .458 int and exh valve lift, .208 duration and .050, 110\* lobe separation, 1500-4500 power range. can use springs #3357, 3359, 6108. . . . . Ea \$475.00
- 0908 348/409 Isky hydraulic .487 int and exh valve lift.208 duration at .050 112\* lobe separation. 1500-5000 power range. Can use Spring # 3357, 5705, 5722 . . . . . Ea \$475.00
- 0947 348/409 Comp hydraulic .481 int valve lift . . . , .490 exh valve lift .196 int and .212 duration at .050 110\* lobe separation..power range 800-4800 can use springs #3357, 3359, 6108 . . . . . Ea \$675.00
- 0909 348/409 Isky hydraulic cam.492 int and exh valve lift.202 int and exh duration at .050. 112\*lobe separation. 1200-4400 power range. Can use spring #3358, 3359, 6108  
..... Ea \$475.00
- 0921 348/409 Isky hydraulic .488 int and exh valve lift, .208 int and exh duration at .050 110\* lobe separation, 1500-5000 power range can use springs #3357, 3359, 6108  
..... Ea \$475.00
- 0946 348/409 Comp hydraulic .495 int and exh valve lift .206 int and exh duration at .050 110\* lobe separation , 800-4500 power range can use springs #3358, 3359, 6108  
..... Ea \$675.00
- 0910 348/409 Isky hydraulic cam .566 int and exh valve lift. .224 int ad exh duration at .050 112\* lobe separation. Power range 2200-6000. Can use springs 5705, 5722 (6108 with forged keepers ) . . . . . Ea \$475.00
- 0913 348/409 Isky hydraulic cam .513 int and exh valve lift. .214 duration at .050. 112\* lobe separation. Pwver range 1800-5500 Can use spring #3358, 5705, 3359. . . . . Ea \$475.00
- 0948 348/409 Comp hydraulic 504 int and exh valve lift, .206 and .212 duration at .050 110\* lobe separation, 1500-5000 power range can use springs #3358, 3359, 6108. . . . . Ea \$675.00
- 0931 348/409 Isky hydraulic 510 intake and exh valve lift, .224 int and exh duration at .050 110\* lobe seperation, 2500-6000 power range can use springs #3358, 3359, 6108  
..... Ea \$475.00
- 0983 348/409 Comp hydraulic (Thumper) 512 int and .525 exh valve lift .226 and .241duration at .050 107\* lobe separation 2000-5800 power range, can use scan use springs #3358, 3359, 6108. . . . . Ea \$325.00
- 0920 348/409 Isky hydraulic 515 int and exh valve lift .234 int and

Go to Show-Cars.com for updates and many more pictures

# 507-233-1958 Fax 507-354-1959 1-24 Catalog 39

## FLAT TAPPET SOLID CAMSHAFTS 03.051

	exh duration at .050, 110* lobe separation 2000-6500 power range can use springs #3358, 3359, 6108 . . . . .		
	..... Ea \$475.00		
0950	348/409 Comp hydraulic .519 int and .525 exh valve lift .218 and .224 duration at .050 110* lobe separation 1300-5600 power range can use springs #3358, 3359, 6108		
	..... Ea \$675.00		
0949	48/409 Comp hydraulic .521 int and .530 valve lift .212 and .218 duration at .050 110* lobe separation 1000-5200 power range can use springs #3358, 3359, 6108 . . . . . Ea \$675.00		
0984	348/409 Comp hydraulic (Thumper) .522 int and .510 exh valve lift.234 and .304 duration at .050 107* lobe separation 2200-6100 power range can use springs #3358, 3359, 6108		
	..... Ea \$325.00		
0922	348/409 Isky hydraulic .525 int and exh valve lift.214 int and exh duration at .050 110* lobe separation 2000-5800 power range can use springs #3358, 3359, 6108 . . . . . Ea \$475.00		
0951	348/409 Comp hydraulic .530 int and .535 ehx valve lift .268 and 280 duration at .050 110* lobe separation 1600-5800 power range can use springs #3358, 3359, 6108		
	..... Ea \$675.00		
0985	348/409 Comp hydraulic (Thumper) 537 int and .521 exh valve lift .242 and .257 duration at .050 107* lobe separation 2500-6500 power range can use springs #3358, 3359, 6108		
	..... Ea \$325.00		
0952	348/409 Comp hydraulic .540 int and .548 exh valve lift .218and .224 duration at .050 110* lobe separation 1000-5400 power range can use springs #3358, 3359, 6108		
	..... Ea \$675.00		
0953	348/409 Comp hydraulic .556 int and .589 exh valve lift .224 and 230 duration at .050, 110* lobe separation, power range 2000-5800 can use springs 5705, 5722, (6108 with forged keepers) . . . . . Ea \$675.00		
0987	348/409 Comp hydraulic (532) . . . . . Ea \$675.00		
0941	348/409 Isky hydraulic .564 int and exh valve lift.232 int and exh duration at .050, 110* lobe separation can use springs 5705, 5722, (6108 with forged keepers) . . . . . Ea \$475.00		
0954	348/409 Comp hydraulic .572 int and exh valve lift .230 and .236 duration at .050 110* lobe separation power range to 5800 can use spring #5705, 5722, (7195 with forged keepers) . . . . . Ea \$675.00		
0955	348/409 Comp hydraulic .581 int and .584 exh valve lift .234 and .244 duration at .050 110* lobe separation power range to 6000 can use spring #5705, 5722, (7195 with forged keepers) . . . . . Ea \$675.00		
0956	348/409 Comp hydraulic .591 int and .595 exh valve lift .238 and .246 duration at .050 110* lobe separation power range to 6200 can use spring #5705, 5722, (7195 with forged keepers) . . . . . Ea \$675.00		
0957	348/409 Comp hydraulic .600 int and .613 exh valve lift .246 and .253 duration at .050 110* lobe separation power range to 6400 can use spring #5705, 5722, (7195 with forged keepers) . . . . . Ea \$675.00		
0902	348/409 Stock solid .413 int and .415 exh valve lift. Valve lash hot .018 and .022 .190 and .200 duration at .050 112* lobe separation power range 1500-4500 can use spring # 3357, 3359, 6108. . . . . Ea \$299.00		
0912	348/409 Isky solid .466 int and exh valve lift. Valve lash hot .0.024 and .028.208 int and exh duration at .050 110* lobe separation power range 1500-4500 can use spring # 3357, 3359, 6108 . . . . . Ea \$475.00		
0944	348/409 Isky solid .468 int and exh valve lift. Valve lash hot .024 and.028 .206 int and exh duration at .050. 110* lobe separation. Power range 1500-4500 can use spring # 3357, 3359, 6108 . . . . . Ea \$475.00		
0942	348/409 Isky solid .481 int and exh valve lift Valve lash hot .024 and .028. .212 int an exh duration at .050 110* lobe separation. Power range 1500-5500 can use spring # 3357, 3359, 6108 . . . . . Ea \$475.00		
0906	348/409 Isky cam solid .522 int and exh valve lit, Lash hot .020 int and exh. .228 duration at .050 112 * lobe separation. Power range 1800-6000. Can use spring #3358, 3359, 6108		
	..... Ea \$475.00		
0907	348/409 Isky cam solid .530 int and exh valve lift. Valve lash hot.018 int and exh. .244 duration at .050. 112* lobe speration. Pwer range 2200-6000. Can usr spring #5705, 6108, 5722 . . . . . Ea \$475.00		
0923	348/409 Isky solid .520 Int and exh gross valve lift. Valve lash hot .024 and .028 .228 int and exh duration at .050 110* lobe separation. Can use valve spring # 3358, 3359, 6108		
	..... Ea \$475.00		
0924	348/409 Isky solid .530 Int and exh valve lift . Valve lash hot .028 int and exh. 110* Lobe separation. Can use valve spring # 3358, 3359, 6108 . . . . . Ea \$475.00		
0962	348/409 Comp solid .556 int and .600 exh valve lift. 246 amd .256 duration at .050. 110* lobe separation. Can use spring # 5705, 5722 (7195 with forged keepers) . . . . . Ea \$675.00		
0925	348/409 Isky solid .560 Int and exh valve lift. Valve lash hot .024 and .028. .250 duration at .050. 110* lobe separation. Power range 300-7000 can use spring # 5705, 5722, (6108 with forged keepers) . . . . . Ea \$475.00		
0986	348/409 Comp solid (570) . . . . . Ea \$675.00		
0961	348/409 Comp solid .570 Int and exh valve lift. Valve lash hot .018 and .024. .246 and .256 duration at .050 Power range 2000-6300 Can use spring # 5705, 5722 (6108 with forged keepers) . . . . . Ea \$675.00		
0958	348/409 Comp solid .577 Int .591 exh valve lift. Valve lash hot .018 int .024 exh . .270 and .280 duration at .050 110* lobe separation. Power range 2000-6200 Can use spring # 5705, 5722 ( 7195 with forged keepers) . . . . . Ea \$675.00		
0926	348/409 Isky solid .590 Int and exh valve lift. Valve lash hot .028 int and exh. .264 duration at .050. 110* lobe separation. Power range 3000-7000 can use spring #5705, 5722, (7195 with forged keepers) . . . . . Ea \$475.00		
0959	348/409 Comp solid .595 Int and exh valve lift Valve lash hot		

**All prices subject to change without notice. Any installed part is not returnable**

# Page 40 Show-Cars.com 1-24 Catalog

- .018 and .024. .242 int and exh duration at .050. 110\* lobe separation. Power range 2000-6300 Can use spring #5705, 5722, (7195 with forged keepers) . . . . . Ea \$675.00
- 0932 348/409 Comp solid .599 Int and .635 exh valve lift. Valve lash hot .024 and .028. .274 and .264 duration at .050, 110\* lobe separation. Power range 4500-7500 Can use spring #5705, 5722, (7195 with forged keepers) . . . . . Ea \$475.00
- 0960 348/409 Comp solid .595 Int and .608 exh valve lift. Valve lash hot .018 and .024. .246 duration ar .050. 110 degree lobe separation. Power range 2000-6000 Can use spring #5705, 5722 (7195 with forged keepers} . . . . . Ea \$675.00
- 0963 348/409 Comp solid .616 int and exh valve lift. Valve lash hot .018 and .024. .525 and .532 duration at .050. 110\* lobe separation. Power range to 6700. Can use spring # 5705, 5722 (7195 with forged keepers. . . . . Ea \$675.00
- 0964 348/409 Comp solid .618 int and .630 exh valve lift. Valve lash hot 0.18 and .024 .250 and .254 duration and .050 110\* lobe separation. Power range to 6700. Can use spring # 5705, 5722 (7195 with forged keepers . . . . . Ea \$675.00
- 0968 348/409 Comp solid .658 int and .675 exh valve lift. Valve lash hot .018 and .024. .250 and .254 duration at .050 110\* lobe separation. Power range to 7400. Can use sring #5705F and 5722F . . . . . Ea \$209.00
- 0965 348/409 Comp solid .641 int and .650 exh valve lift. Valve lash hot .018and .024. .256 and .260 duration at .050 110\* lobe separation power range up to 6900. Can use spring # 5705, 5722 (7195 with forged keepers . . . . . Ea \$209.00
- 0966 348/409 Comp solid .650 int and .658 exh valve lift. Valve lash hot .018 and .024. .260 and .264 duration at .050. 110\* lobe separation. Power range to 7100. Can use spring #5705, 5722 . . . . . Ea \$209.00
- 0967 348/409 Comp solid .654 int and .658 exh valve lift. Valve lash hot .018 and .024. .262 and .270 duration at .050 110\* lobe separation. Power range to 7300. Can use Spring #5705F and 5722F. . . . . Ea \$209.00

## HYDRAULIC ROLLER CAMSHAFTS 03.052

- 0903 348/490 Comp hydraulic roller .470 int and exh valve lift. .193 int and exh duration at .050. 110\* lobe separation. Power range 1500-4500 Can use spring #6090 . . . . . Ea \$675.00
- 0979 348/409 Comp hydraulic roller .499 int and exh valve lift. 210 int and exh duration at .050 110\* lobe separation. Power range 1600-5500 Can use spring #6090 . . . . . Ea \$675.00
- 0980 348/409 Comp hydraulic roller (525) . . . . . Ea \$675.00
- 0930 348/409 Comp hydraulic rolller (526) . . . . . Ea \$675.00
- 0981 348/409 Comp hydraulic roller .542 int and exh valve lift .200 int and exh duration at .050. 110\* lobe separation. Power range up 5300. Can use Spring #6090 . . . . . Ea \$675.00
- 9225 348/409 Comp Cams Hydraulic roller .543 Int .550 exh valve

- 8370 lift. 218/224 int and exh duration at .050. 110\* lobe separation. 1400-5800 Power range . . . . . Ea \$553.00
- 0982 348/409 Isky Hydraulic roller .546 In and exh valve lift. 218 int and exh suration at .050. 110\* lobe separation. Power range 1800-5000 Can use spring #6090 . . . . . Ea \$675.00
- 0938 348/409 Comp hydraulic roller .560 Int and exh valve lift.240 int and exh duration at .050. 110\* lobe separation. Power range up to 7400. Can use spring #6090. . . . . Ea \$675.00
- 0978 348/409 Isky hydraulic roller .595 int and .578 exh valve lift. .238 int and exh duration at .050. 110\* lobe separation Power range 3000-7000 Can use spring #6090 . . . . . Ea \$675.00
- 8580 348/409 Comp Cams hydraulic roller .613 int and exh valve lift.248 in and exh duration ar .050. 110\* lobe seperation. Power range up to 7000 RPM. . . . . Ea \$632.00
- 0939 348/409 Edelbrock Rollin Thunder hydraulic roller (616/628) . . . . . Ea \$677.95
- 0939 348/409 Isky hydraulic roller .627 int and exh valve lift. .248 int and exh . . . . . Ea \$675.00

## SOLID ROLLER CAMSHAFTS . . . . 03.054

- 0904 348/409 Comp solid roller (558). . . . . Ea \$675.00
- 0933 348/409 Isky solid roller (560) . . . . . Ea \$675.00
- 0927 348/409 Isky solid roller (565) . . . . . Ea \$675.00
- 0934 348/409 Isky solid roller (620) . . . . . Ea \$675.00
- 0935 348/409 Isky solid roller (640) . . . . . Ea \$675.00
- 0969 348/409 Comp solid roller (641) . . . . . Ea \$675.00
- 0936 348/409 Isky solid roller (650) . . . . . Ea \$675.00
- 0975 348/409 Comp solid roller (685). . . . . Ea \$675.00
- 0976 348/409 Comp solid roller (700). . . . . Ea \$675.00

## VALVES (TITANIUM) . . . . . 03.070

- 8859 348/409 Titanium valve set, 8 intake, 8 exhaust. One piece forged, hardened tips..Half the weight of a stainless valve. 11/32 by 5.110 stem. 1.750 dia. Exhaust, 2.50 dia. Intake. For Edelbrock heads and GM heads with 11/32 guides.+ Set\$1599.00



Show Cars part #2290PE

Go to Show-Cars.com for updates and many more pictures



# 507-233-1958 Fax 507-354-1959 1-24 Catalog 41

## VALVES (STAINLESS STEEL) . . . . . 03.070

2290PE	348/409 SS Polished exhaust valve 3/8 x 5.110 stem 1.670 head . . . . .	Ea	\$17.50
2290PES	348/409 SS Polished exhaust valve .3/8 x 5.110 stem 1.670 head (8 pcs) . . . . .	Set	\$119.95
2290PI	348/409 SS Polished intake valve 3/8 x 5.110 stem 1.940 head . . . . .	Ea	\$17.50
2290PIS	348/409 SS Polished intake valve 3/8 x 5.110 stem 1.940 head (8pcs) . . . . .	Set	\$119.95
2290PS	348/409 SS Polished valve set 3/8 x 5.110 stem 8 exh 1.67 head 8 int 1.94 head (16pcs) . . . . .	Set	\$239.95
2293PE	348/409 SS Polished exhaust valve 3/8 x 5.110 stem 1.725 head . . . . .	Ea	\$16.50
2293PES	348/409 SS Polished exhaust valve 3/8 x 5.110 stem 1.725 head (8pcs) . . . . .	Set	\$119.95
2292PI	348/409 SS Polished intake valve 3/8 x 5.110 stem 2.190 head . . . . .	Ea	\$17.50
2292PIS	348/409 SS Polished intake valve 3/8 x 5.110 stem 2.190 head (8pcs) . . . . .	Set	\$119.95
2292PS	348/409 SS Polished valve set 3/8 x 5.110 stem 8 exh 1.725 head 8 in 2.195 head (16pcs) . . . . .	Set	\$239.95
2293PE	348/409 SS Polished exhaust valve 3/8 x 5.110 stem 1.725 head . . . . .	Ea	\$17.50
2293PES	348/409 SS Polished exhaust valve 3/8 x 5.110 stem 1.725 head(8pcs) . . . . .	Set	\$99.95
2293PI	348/ 409 SS Polished intake valve 3/8 x 5.110 stem 2.090 head . . . . .	Ea	\$17.50
2293PIS	348/409 SS Polished intake valve 3/8 x 5.110 stem 2.090 head (8 pcs) . . . . .	Set	\$119.95
2293PS	348/409 SS Polished valve set 3/8 x 5.110 stem 8 exh 1.725 8 intake 2.090 head (16pcs) . . . . .	Set	\$239.95
8022	348/409 SS Polished exhaust valve single groove 3/8 x 5.110 stem 1.72. head . . . . .	Ea	\$17.50
8023	348/409 SS Polished intake valve single groove 3/8 x 5.110 stem 2.190 head . . . . .	Set	\$17.50
8025	348/409 SS Polished valve set valve single 3/8 x 5.110 stem 8 exh 1.720, 8 int 2.190 . . . . .	Set	\$249.90
6972	348/409 SS Polished exhaust valve 3/8 x 5.110 stem 1.750 head . . . . .	Ea	\$18.50
6972S	348/409 SS Polished exhaust valve 3/8 x 5.110 stem 1.750 head (8pcs) . . . . .	Set	\$104.95
6971	348/409 SS Polished intake valve 3/8 x 5.110 head 2.250 head . . . . .	Ea	\$18.50
6971S	348/409 SS Polished intake valve 3/8 x 5.110 head 2.250 head (8pcs) . . . . .	Set	\$104.95
6973	348/409 SS Polished valve set 3/8 x 5.110 stem 8 exhaust 1.750 8 intake 2.250 . . . . . (16)	Set	\$209.90
7396	Edelbrock intake valve for aluminum head #EDL-6809 11/32 x 5.110 stem 2.190 head . . . . .	Ea	\$24.95
7397	Edelbrock exhaust valve for aluminum head #EDL-6809		

7417	11/32 x 5.110 stem 1.725 head . . . . .	Ea	\$24.95
	348/409SS Polished intake valve 11/32 x 5.110 stem 2.190 head for Edelbrock heads or GM heads with 11/32 guides . . . . .	Ea	\$16.50
7418	348/409 SS Polished exhaust valve 11/32 x 5.110 stem 1.720 head fir Edelbrock heads or GM heads with 11/32 guides . . . . .	Ea	\$19.50
7419	348/409 SS Polished valve set 11/32 x 5.110 stem 2.190 intake, 1.720 exhaust for Edelbrock heads or GM heads with 11/32 guides . . . . .	Set	\$239.00
7522	348/409 SS Polished Manley Racemaster exhaust valve 3/8 x 5.105 stem 1.735 head (8pcs) . . . . .	Set	\$189.00
7523	348/409 SS Polished Manley Racemaster exhaust valve 3/8 x 5.105stem, 1.750 head (8pcs) . . . . .	Set	\$183.00
7524	348/409 SS Polished ManleyRacemaster intake valve 3/8 x 5.105 stem 2.200 head (8pcs) . . . . .	Set	\$235.00
7525	348/409 SS Polished Manley Racemaster intake valve 3/8 x 5.105 stem 2.250 head (8pcs) . . . . .	Set	\$185.00
7751	348/409 SS Polished valve set, 3/8 x 5.200 stem (.100 longer than stock) 1.720 exhaust head, 2.200 intake head (16pcs) . . . . .	Set	\$269.00
5709	Hardened valve seats intake, all except 1.940 valves . . . . .	Ea	\$5.30
5711	Hardened valve seat 1.940 valves . . . . .	Ea	\$5.30
5710	Hardened valve seat,exhaust all . . . . .	Ea	\$4.80
5726	409 Truck exhaust valve, rotater delete spacer. . . . .	Set	\$72.95

## VALVE GUIDES . . . . . 03.070

5713	348-409 Exhaust valve guides steel, long. . . . .	Ea	\$3.25
5712	348-409 Intake valve guides steel,short . . . . .	Ea	\$3.25
5715	348-409 Exhaust brass valve guides, long . . . . .	Ea	\$6.95
5714	348-409 Intake brass valve guides, short . . . . .	Ea	\$6.95
6184	Valve guide OD machining tool, .500. . . . .	Ea	\$79.99
7409	11/32 Brass valve guide, intake . . . . .	Ea	\$16.00
7410	11/32 Brass valve guide, exhaust . . . . .	Ea	\$16.00

## VALVE SEALS . . . . . 03.080

3586	58-64 stock valve seals (OEM). . . . .	Set	\$13.50
5686	58-64 3/8 high quality umbrella valve seals, may have to machine guides . . . . .	Set	\$11.95
5688	58-64 3/8" Teflon, must machine guides, set of 16 (Better) . . . . .	Set	\$39.95
5687	348/409 3/8" High temp, high quality viton seals, may have to machine guides(Best) . . . . .	Set	\$45.95
7407	Umbrella valve seals for 11/32 valves . . . . .	Set	\$9.90
7408	Viton P/S valve seals for 11/32 valves . . . . .	Set	\$24.95
6182	Valve seal installation tool 3/8 . . . . .	Ea	\$5.95

## ENGINE REBUILD TOOLS . . . . . 03.080

*Buy or Rent, call customer service 507-233-1958 for details*

**All prices subject to change without notice. Any installed part is not returnable**

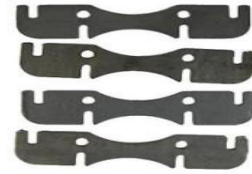
- 6112 Valve Guide OD Machining Tool. Does 3 jobs at once. Faces the top to the correct length, Sizes the guide OD to accept press on seals, Chamfers to top to prevent damage to seal. Individual carbide-tipped cutter bodies and hardened ground pilots are interchangeable and chuck into any protable drill or drill press. . . . . Buy \$149.00  
Rent . . . . . 10 days\$15.00
- 6110 Valve Spring Seat Cutter, Enlarge or correct spring seats. Recut valve spring seats to establish spring to valve concentricity or use to enlarge seats for over-size dual springs. Cuts to OD 1.440 . . . . . Buy \$65.39  
Rent . . . . . 10 days\$15.00
- 6111 Valve Spring Seat Cutter, Cuts to OD 1.550. . . Buy \$83.00  
Rent . . . . . 10 days\$15.00
- 6113 Rocker Arm Stud Conversion Kit, Replace pressed-in rocker arm studs with threaded studs for positive retention. 4 Simple steps; remove stud, face stud boss, then drill and tap the stud hole . . . . . Buy \$195.00  
Rent . . . . . 10 days\$20.00
- 6337 348/409 Oil system priming tool . . . . . Ea \$59.00
- 6342 348/409 oil pump pick-up tube installation tool . . . . . Ea \$105.00
- KD2284 Thin wall ring compressor for 348/409 . . . . . Ea \$19.99

## **PUSH RODS (5/16) . . . . . 03.090**

*Note: All 348 and Low performance 409 used 5/16 push rods. Only heads with casting numbers 3814690, 3837731 & 3852583 used 3/8 Push rods.*

- 6357 348/409 adjustable push rod length gauge 8.5 - 9.5" . . . . . Ea \$20.95
- 2296 348/409 OEM low performance 5/16 exhaust (Long) . . . . . Ea \$7.50
- 2297 348/409 OEM low performance 5/16 intake (Short) . . . . . Ea \$6.75
- 2298 348/409 OEM (8) Ea of 2296 intake & 2297 exhaust . . . . . Set \$64.95
- 5344 348/409 Elgin (8) Ea of 5346 intake & 5345 exhaust, chrome . . . . . Set \$165.00
- 6121 348/409 Isky 5/16 Chrome moly set. . . . . Set \$305.00
- 6114 348/409 Isky 5/16 chrome moly set +.100 . . . . . Set \$305.00

## **PUSH ROD GUIDE PLATE . . . . . 03.090**



## **Show Cars Part #6023**

- 6023 348/409 5/16 push rod guide plates, set of 4 (.190) . . . . . Set \$79.50
- 5919 409 3/8 push rod guide plates.set of 4 (.190) . . . . . Set \$79.50

*Note: Push rod guide plates require screw in studs and machining .300 off the stud boss.*

## **PUSH RODS FOR EDELBROCK HEADS . . . 03.090**

- 7415 Precision intake push rod for Edelbrock heads with flat tappet cams and solid roller cams, one piece .080 wall, 8.65 Long . . . . . Ea \$18.00
- 7416 Precision exhaust push rod for Edelbrock heads with flat tappet cams and solid roller cams one piece .080 wall 9.00 long . . . . . Ea \$18.00
- 7401 348/409 Edelbrock hardened steel push rods for aluminum heads with flat tappet cams and solid roller cams . . . . . Set \$266.95
- 7400 348/409 Edelbrock push rod guide plate for aluminum heads . . . . . Set \$92.95
- 7527 Manley 3/8 chrome molly push rods for Edelbrock heads with flat tappet cams and solid roller cams. . . . . Set \$206.00

## **PUSH RODS(3/8) . . . . . 03.090**

- 2299 409 OEM 409 high performance 3/8 exhaust (Long) . . . . . Ea \$23.50
- 2299A 409 OEM 409 high performance 3/8 intake (Short) . . . . . Ea \$23.50
- 2299B 409 OEM (8) Ea of 2299A intake & 2299 exhaust . . . . . Set \$376.00
- 7526 409 Manley 3/8 chrome moly push rods. . . . . Set \$299.00
- 5344H 409 Isky high performance 3/8 chrome moly . . . . . Set \$325.00
- 7827 348/409 1 Pc 3/8 chrome moly exhaust push rod .080 wall . . . . . Ea \$18.00
- 7828 348/409 1 Pc 3/8 chrome moly intake push rod .080 wall. . . . . Ea \$18.00
- 7829 348/409 1 Pc 3/8 chrome moly push rods .080 wall . . . . . Set \$175.00

- 8800 348/409 Edelbrock push rod for Edelbrock heads and full

**Go to Show-Cars.com for updates and many more pictures**

# 507-233-1958 Fax 507-354-1959 1-24 Catalog 43

	roller rocker.....	Set	\$289.95
6100E	409 Isky high performance 3/8 chrome moly exhasut +.100		
	.....	Ea	\$16.00
6100I	409 Isky high performance 3/8 chrome moly +.100 intake		
	.....	Ea	\$16.00
6100	409 Isky high performance 3/8 chrome moly +.100		
	.....	Set	\$305.00

## PUSH RODS FOR HYDRAULIC ROLLER CAMS ..... 03.090

7824	Precision 3/8 one piece Chrome Moly push rods for use with Isky hydraulic roller on Edelbrock heads .080.		
	Set .....		\$185.00
7008	409 Isky high performance 3/8 special length push rod set, use with Isky Hydraulic roller lifters on original heads.		
	.....	Set	\$306.00
7825	348/409 3/8 one piece chrome moly push rods for use with Comp Cams hydraulic roller lifters on original heads .080		
	.....	Set	\$185.00
7826	348/409 3/8 one piece chrome moly push rods for use with Comp Cams hydraulic roller lifters on Edelbrock heads .080		
	.....	Set	\$185.00
7830	348/409 1 Piece 3/8 chrome moly push rods use with Edelbrock hydraulic roller lifters on original heads.		
	.....	Set	\$185.00
7831	348/409 1 Piece 3/8 chrome moly push rods use with Edelbrock hydraulic roller lifters and Edelbrock heads.		
	.....	Set	\$185.00

## OIL PUMP ..... 03.110

*Manufactured by Elgin, Melling, & Dynagear.*  
*Note, A Big Block Chev oil pump drive shaft is .030 longer than a true 348/409 drive shaft, when using this and decking the block .010-.030 can put top load on the oil pump and cause oil pump failure.*

3345A	58-65 348-409 standard oil pump-25-40 PSI ..	Ea.	\$35.95
3345	58-65 high volume oil pump 348-409 36-65 PSI	Ea	\$56.50
7731	Melling M-99HV high volume oil pump can be used in a 348/409, requires 3/4" pick up tube and screen, must be custom made. ....	Ea	\$119.50
7732	348/409 Melling select high volume oil pump(25% additional volume) .....	Ea	\$175.00

**Warning:** *Melling occasionally packages their pumps with a drive shaft. DO NOT USE! They are for small block.*

3345C	348 Oil pick-up tube & screen .....	Ea	\$25.95
3345B	62-64 409 Oil pick-up tube & screen .....	Ea	\$23.95

**All prices subject to change without notice. Any installed part is not returnable**

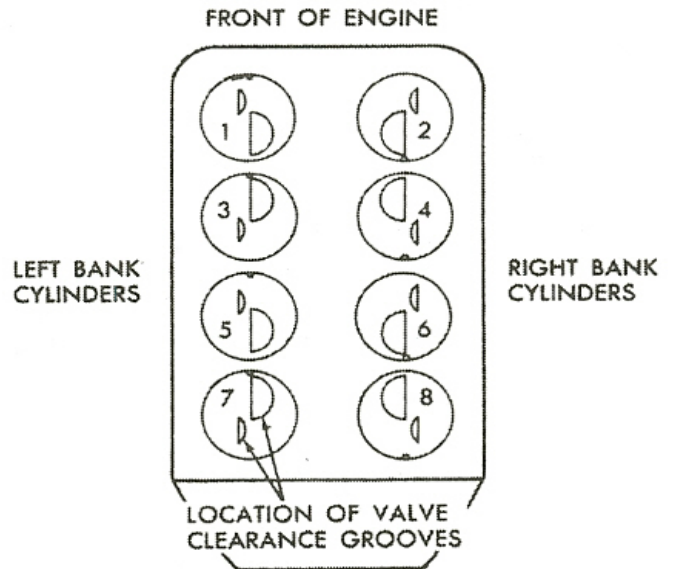
3345D	1965 409 oil pick-up tube & screen .....	Ea	\$19.95
7017	348/409 Oil pick up tube retainer .....	Ea	\$21.95
3211	348/409 drive shaft With steel sleeve .....	Ea	\$19.95
2044	Nylon shaft retainer. ....	Ea	\$6.00
6341	348/409 oil pump support bracket .....	Ea	\$49.50
6718	Oil pump bolt .....	Ea	\$5.00

## WINDAGE TRAY..... 03.130



## Show Cars Part #3293

3293	58-65 348-409 Windage tray NOS type Reproduction		
	.....	Ea	\$38.50
3294	58-65 Windage tray stud (requires 4) .....	Ea	\$45.00



## PISTONS, CAST ALUMINUM.....

*Compression is at stock deck height. If your block has been decked .080 your compression*

# Page 44 Show-Cars.com 1-24 Catalog

will increase by 1.0.

9.5-1 348 Cast pistons have no valve pockets, will accommodate gross valve lift up to .458. Wrist pins included with all piston sets.



Show Cars Part #3337P60

## 348 CAST ALUMINUM PISTONS. . . 03.150

- 3337 RBC 348 9.5 to 1 Cast pistons stock stroke, stock rods, 5/64 5/64 3/16 ring grooves . . . . . Set \$430.00
- 3337P20 RBC 348 9.5 to 1 Cast pistons stock stroke, stock rods, 5/64 5/64 3/16 ring grooves . . . . . Set \$430.00
- 3337P30 RBC 348 9.5 to 1 Cast pistons stock stroke, stock rods, 5/64 5/64 3/16 ring grooves . . . . . Set \$430.00
- 3337P40 RBC 348 9.5 to 1 Cast pistons stock stroke, stock rods, 5/64 5/64 3/16 ring grooves . . . . . Set \$430.00
- 3337P60 RBC 348 9.5 to 1 Cast pistons stock stroke, stock rods, 5/64 5/64 3/16 ring grooves . . . . . Set \$430.00

10.5/1 348 Cast pistons have valve pockets good for valve/cam lift to .530



## Show Cars Part #7104

- 7104 RBC 348 10.5-1 Cast pistons, stock stroke, stock rods, 5/64 5/64 3/16 ring grooves . . . . . Set \$430.00
- 7104P20 RBC 348 10.5-1 Cast pistons, stock stroke, stock rods, 5/64 5/64 3/16 ring grooves . . . . . Set \$430.00
- 7104P30 RBC 348 10.5-1 Cast pistons, stock stroke, stock rods, 5/64 5/64 3/16 ring grooves . . . . . Set \$430.00
- 7104P40 RBC 348 10.5-1 Cast pistons, stock stroke, stock rods, 5/64 5/64 3/16 ring grooves . . . . . Set \$430.00
- 7104P60 RBC 348 10.5-1 Cast pistons, stock stroke, stock rods, 5/64 5/64 3/16 ring grooves . . . . . Set \$430.00

## CAST ALUMINUM PISTONS, 409 . . 03.152

10-1 409 Cast pistons have valve pockets good for valve/cam lift to .530

- 4837 RBC 409 10/1 Cast pistons, stock stroke, stock rod, 5/64 5/64 3/16 ring grooves . . . . . Set \$430.00
- 4837P20 RBC 409 10/1 Cast pistons, stock stroke, stock rod, 5/64 5/64 3/16 ring grooves . . . . . Set \$430.00
- 4837P30 RBC 409 10/1 Cast pistons, stock stroke, stock rod, 5/64 5/64 3/16 ring grooves . . . . . Set \$430.00

Go to Show-Cars.com for updates and many more pictures

# 507-233-1958 Fax 507-354-1959 1-24 Catalog 45

- 4837P40 RBC 409 10/1 Cast pistons, stock stroke, stock rod, 5/64 5/64 3/16 ring grooves . . . . . Set \$430.00
- 4837P60 RBC 409 10/1 Cast pistons, stock stroke, stock rod, 5/64 5/64 3/16 ring grooves . . . . . Set \$430.00

**11-1 409 Cast pistons have valve pockets good for valve/cam lift to .530**

- 4996 RBC 409 11/1 Cast pistons, stock stroke, stock rod, 5/64 5/64 3/16 ring grooves . . . . . Set \$430.00
- 4996P20 RBC 409 11/1 Cast pistons, stock stroke, stock rod, 5/64 5/64 3/16 ring grooves . . . . . Set \$430.00
- 4996P30 RBC 409 11/1 Cast pistons, stock stroke, stock rod, 5/64 5/64 3/16 ring grooves . . . . . Set \$430.00
- 4996P40 RBC 409 11/1 Cast pistons, stock stroke, stock rod, 5/64 5/64 3/16 ring grooves . . . . . Set \$430.00
- 4996P60 RBC 409 11/1 Cast pistons, stock stroke, stock rod, 5/64 5/64 3/16 ring grooves . . . . . Set \$430.00



## PISTONS, FORGED ALUMINUM . . . . .

*Compression is at stock deck height. If your block has been decked .080 your compression will increase by 1.0.*

*We can special order any compression and bore size you wish. All custom order pistons are \$1199.00 a set, any bore, any compression any ring size Please note: we stock 348 forged pistons in 10.5-1 compression. Oversize bore available up to 125. 348 - 3.5, 3.75 & 4.0 stroke and 409 -3.76, 4.0, & 4.250 stroke.*

*Wrist pins included with all piston sets. Unless noted. Valve pockets are cut for 2.190 and 1.725 valves. Will accommodate camshaft lift to .650 unless noted.*

- 7870 Maximum weight removal internal contour milling . . . . . Set \$347.20
- 7871 Ross top gas ports . . . . . Set \$122.00
- 9072 Ross teflon coating . . . . . Set \$211.00

## Show Cars Part #3337A STOCK STROKE PISTONS, 348 . . . 03.152

- 8325 Ross 348 10/1 Forged pistons, stock stroke, stock rod 5/64 5/64 3/16 ring grooves . . . . . Set \$1,199.00
- 8325P20 1Ross 348 10/1 Forged pistons, stock stroke, stock rod 5/64 5/64 3/16 ring grooves . . . . . Set \$1,199.00
- 8325P30 Ross 348 10/1 Forged pistons, stock stroke, stock rod 5/64 5/64 3/16 ring grooves . . . . . Set \$1,199.00
- 8325P40 Ross 348 10/1 Forged pistons, stock stroke, stock rod 5/64 5/64 3/16 ring grooves . . . . . Set \$1,199.00
- 8325P60 Ross 348 10/1 Forged pistons, stock stroke, stock rod 5/64 5/64 3/16 ring grooves . . . . . Set \$1,199.00
- 8325P80 Ross 348 10/1 Forged pistons, stock stroke, stock rod 5/64 5/64 3/16 ring grooves . . . . . Set \$1,199.00
- 8935P30 ICON 348 10.5/1 Forged pistons, stock stroke stock rod, 1/16 1/16 3/16 ring grooves . . . . . Set \$835.00
- 8935p40 ICON 348 10.5/1 Forged pistons, stock stroke stock rod, 1/16 1/16 3/16 ring grooves . . . . . Set \$835.00
- 8935P60 ICON 348 10.5/1 Forged pistons, stock stroke stock rod, 1/16 1/16 3/16 ring grooves . . . . . Set \$835.00
- 3337A Ross 348 11.25/1 forged pistons, stock stroke, stock rod, 5/64 5/64 3/16 ring grooves . . . . . Set \$1,199.00
- 3337AP10 Ross 348 11.25/1 forged pistons, stock stroke, stock rod, 5/64 5/64 3/16 ring grooves . . . . . Set \$1,199.00
- 3337AP20 Ross 348 11.25/1 forged pistons, stock stroke, stock rod, 5/64 5/64 3/16 ring grooves . . . . . Set \$1,199.00
- 3337AP30 Ross 348 11.25/1 forged pistons, stock stroke, stock rod, 5/64 5/64 3/16 ring grooves . . . . . Set \$1,199.00
- 3337AP40 Ross 348 11.25/1 forged pistons, stock stroke, stock rod, 5/64 5/64 3/16 ring grooves . . . . . Set \$1,199.00
- 3337AP60 Ross 348 11.25/1 forged pistons, stock stroke, stock rod, 5/64 5/64 3/16 ring grooves . . . . . Set \$1,199.00
- 3337AP80 Ross 348 11.25/1 forged pistons, stock stroke, stock rod,

**All prices subject to change without notice. Any installed part is not returnable**

# Page 46 Show-Cars.com 1-24 Catalog

- 5/64 5/64 3/16 ring grooves . . . . . Set \$1,199.00  
3337AP100 Ross 348 11.25/1 forged pistons, stock stroke, stock rod,  
5/64 5/64 3/16 ring grooves . . . . . Set \$1,199.00  
3337AP125 Ross 348 11.25/1 forged pistons, stock stroke, stock rod,  
5/64 5/64 3/16 ring grooves . . . . . Set \$1,199.00

## STROKER PISTONS, 348 3.76" . . . 03.154

- 8159 Ross 348 10/1 Forged pistons 3.76" stroke 6.135 rods, 5/64  
5/64 3/16 ring grooves . . . . . Set \$1,199.00  
8159P20 Ross 348 10/1 Forged pistons 3.76" stroke 6.135 rods, 5/64  
5/64 3/16 ring grooves . . . . . Set \$1,199.00  
8159P30 Ross 348 10/1 Forged pistons 3.76" stroke 6.135 rods, 5/64  
5/64 3/16 ring grooves . . . . . Set \$1,199.00  
8159P40 Ross 348 10/1 Forged pistons 3.76" stroke 6.135 rods, 5/64  
5/64 3/16 ring grooves . . . . . Set \$1,199.00  
8159P60 Ross 348 10/1 Forged pistons 3.76" stroke 6.135 rods, 5/64  
5/64 3/16 ring grooves . . . . . Set \$1,199.00  
8159P80 Ross 348 10/1 Forged pistons 3.76" stroke 6.135 rods, 5/64  
5/64 3/16 ring grooves grooves. . . . . Set \$1,199.00
- 6634 Ross 348 11.25/1 Forged pistons 3.76" stroke 6.135 rods,  
5/64 5/64 3/16 ring grooves . . . . . Set \$1,199.00  
6634P20 Ross 348 11.25/1 Forged pistons 3.76" stroke 6.135 rods,  
5/64 5/64 3/16 ring grooves . . . . . Set \$1,199.00  
6634P30 Ross 348 11.25/1 Forged pistons 3.76" stroke 6.135 rods, 5/64  
5/64 3/16 ring grooves . . . . . Set \$1,199.00  
6634P40 Ross 348 11.25/1 Forged pistons 3.76" stroke 6.135 rods,  
5/64 5/64 3/16 ring grooves . . . . . Set \$1,199.00  
6634P60 Ross 348 11.25/1 Forged pistons 3.76" stroke 6.135 rods,  
5/64 5/64 3/16 ring grooves . . . . . Set \$1,199.00  
6634P80 Ross 348 11.25/1 Forged pistons 3.76" stroke 6.135 rods,  
5/64 5/64 3/16 ring grooves . . . . . Set \$1,199.00  
6634P125 Ross 348 11.25/1 Forged pistons 3.76" stroke 6.135 rods,  
5/64 5/64 3/16 ring grooves . . . . . Set \$1,199.00

## 348 4" STROKE FORGED PISTONS

..... 03.154

- 8414P30 Ross 348 10.5/1 Forged pistons, 4" stroke 6.135 rods, 5/64  
5/64 3/16 ring grooves . . . . . Set \$1,199.00  
8414P40 Ross 348 10.5/1 Forged pistons, 4" stroke 6.135 rods, 5/64  
5/64 3/16 ring grooves . . . . . Set \$1,199.00  
8414P60 Ross 348 10.5/1 Forged pistons, 4" stroke 6.135 rods, 5/64  
5/64 3/16 ring grooves . . . . . Set \$1,199.00  
8414P80 Ross 348 10.5/1 Forged pistons, 4" stroke 6.135 rods, 5/64  
5/64 3/16 ring grooves . . . . . Set \$1,199.00  
8414P100 Ross 348 10.5/1 Forged pistons, 4" stroke 6.135 rods, 5/64  
5/64 3/16 ring grooves . . . . . Set \$1,199.00
- 8242 Ross 348 10.5/1 Forged pistons 4" stroke 6.385 rods, 1/16  
1/16 3/16 ring grooves . . . . . Set \$1,199.00  
8242P20 Ross 348 10.5/1 Forged pistons 4" stroke 6.385 rods, 1/16  
1/16 3/16 ring grooves . . . . . Set \$1,199.00  
8242P30 Ross 348 10.5/1 Forged pistons 4" stroke 6.385 rods, 1/16  
1/16 3/16 ring grooves . . . . . Set \$1,199.00

- 8242P40 Ross 348 10.5/1 Forged pistons 4" stroke 6.385 rods, 1/16  
1/16 3/16 ring grooves . . . . . Set \$1,199.00  
8242P60 Ross 348 10.5/1 Forged pistons 4" stroke 6.385 rods, 1/16  
1/16 3/16 ring grooves . . . . . Set \$1,199.00  
8242P80 Ross 348 10.5/1 Forged pistons 4" stroke 6.385 rods, 1/16  
1/16 3/16 ring grooves . . . . . Set \$1,199.00

- 7815P30 ICON 348 10.8-1 Forged pistons, 4" stroke 6.135 rods 1/16  
1/16 3/16 ring grooves 649g . . . . . Set \$835.00  
7815P40 ICON 348 10.8-1 Forged pistons, 4" stroke 6.135 rods 1/16  
1/16 3/16 ring grooves 658g . . . . . Set \$835.00  
7815P60 ICON 348 10.8-1 Forged pistons, 4" stroke 6.135 rods 1/16  
1/16 3/16 ring grooves 667g . . . . . Set \$835.00

- 8213 Ross 348 11/1 forged pistons 4" stroke, 6.135 rods, 1/16 1/16  
3/16 ring grooves . . . . . Set \$1,199.00  
8213P20 Ross 348 11/1 forged pistons 4" stroke, 6.135 rods, 1/16 1/16  
3/16 ring grooves . . . . . Set \$1,199.00  
8213P30 Ross 348 11/1 forged pistons 4" stroke, 6.135 rods, 1/16 1/16  
3/16 ring grooves . . . . . Set \$1,199.00  
8213P40 Ross 348 11/1 forged pistons 4" stroke, 6.135 rods, 1/16 1/16  
3/16 ring grooves . . . . . Set \$1,199.00  
8213P60 Ross 348 11/1 forged pistons 4" stroke, 6.135 rods, 1/16 1/16  
3/16 ring grooves . . . . . Set \$1,199.00  
8213P70 Ross 348 11/1 forged pistons 4" stroke, 6.135 rods, 1/16 1/16  
3/16 ring grooves . . . . . Set \$1,199.00  
8213P80 Ross 348 11/1 forged pistons 4" stroke, 6.135 rods, 1/16 1/16  
3/16 ring grooves . . . . . Set \$1,199.00

## 409 STOCK STROKE FORGED PISTONS .

..... 03.156

- 7816P38 ICON 409 10/1 Forged pistons, stock stroke, stock rod, 1/16  
1/16 3/16 ring grooves . . . . . Set \$835.00  
7816P48 ICON 409 10/1 Forged pistons, stock stroke, stock rod, 1/16  
1/16 3/16 ring grooves . . . . . Set \$835.00  
7816P68 ICON 409 10/1 Forged pistons, stock stroke, stock rod, 1/16  
1/16 3/16 ring grooves . . . . . Set \$835.00  
7816P78 ICON 409 10/1 Forged pistons, stock stroke, stock rod, 1/16  
1/16 3/16 ring grooves . . . . . Set \$835.00

- 5944 Ross 409 10.5/1 Forged pistons, stock stroke, stock rods, 1/16  
1/16 3/16 ring grooves . . . . . Set \$1,199.00  
5944P10 Ross 409 10.5/1 Forged pistons, stock stroke, stock rods, 1/16  
1/16 3/16 ring grooves . . . . . Set \$1,199.00  
5944P15 Ross 409 10.5/1 Forged pistons, stock stroke, stock rods, 1/16  
1/16 3/16 ring grooves . . . . . Set \$1,199.00  
5944P20 Ross 409 10.5/1 Forged pistons, stock stroke, stock rods, 1/16  
1/16 3/16 ring . . . . . Set \$1,199.00  
5944P30 Ross 409 10.5/1 Forged pistons, stock stroke, stock rods, 1/16  
1/16 3/16 ring grooves (valve lift to .570) . . . . Set \$890.00  
5944P40-Ross 409 10.5/1 Forged pistons, stock stroke, stock rods, 1/16  
1/16 3/16 ring grooves . . . . . Set \$890.00  
5944P60 Ross 409 10.5/1 Forged pistons, stock stroke, stock rods, 1/16  
1/16 3/16 ring grooves . . . . . Set \$1,199.00

Go to Show-Cars.com for updates and many more pictures

# 507-233-1958 Fax 507-354-1959 1-24 Catalog 47

- 5944P70 Ross 409 10.5/1 Forged pistons, stock stroke, stock rods, 1/16 1/16 3/16 ring grooves . . . . . Set \$1,199.00
- 5944P80 Ross 409 10.5/1 Forged pistons, stock stroke, stock rods, 1/16 1/16 3/16 ring grooves . . . . . Set \$1,199.00
- 3339 Ross 409 11/1 Forged pistons, stock stroke stock rods,5/64 5/64 3/16 ring grooves . . . . . Set \$1,199.00
- 3339P10 Ross 409 11/1 Forged pistons, stock stroke stock rods,5/64 5/64 3/16 ring grooves . . . . . Set \$1,199.00
- 3339P20 Ross 409 11/1 Forged pistons, stock stroke stock rods,5/64 5/64 3/16 ring grooves . . . . . Set \$1,199.00
- 3339P30 Ross 409 11/1 Forged pistons, stock stroke stock rods,5/64 5/64 3/16 ring grooves . . . . . Set \$1,199.00
- 3339P40 Ross 409 11/1 Forged pistons, stock stroke stock rods,5/64 5/64 3/16 ring grooves . . . . . Set \$1,199.00
- 3339P60 Ross 409 11/1 Forged pistons, stock stroke stock rods,5/64 5/64 3/16 ring grooves . . . . . Set \$1,199.00
- 3339P70 Ross 409 11/1 Forged pistons, stock stroke stock rods,5/64 5/64 3/16 ring grooves . . . . . Set \$1,199.00
- 3339P80 Ross 409 11/1 Forged pistons, stock stroke stock rods,5/64 5/64 3/16 ring grooves . . . . . Set \$1,199.00
- 3339P90 Ross 409 11/1 Forged pistons, stock stroke stock rods,5/64 5/64 3/16 ring grooves . . . . . Set \$1,199.00
- 3339P100 Ross 409 11/1 Forged pistons, stock stroke stock rods,5/64 5/64 3/16 ring grooves . . . . . Set \$1,199.00
- 3339P125 Ross 409 11/1 Forged pistons, stock stroke stock rods,5/64 5/64 3/16 ring grooves . . . . . Set \$1,199.00
- 7677P30 Ross 409 12/1 Forged pistons, stock stroke, stock rod, 5/64 5/64 3/16 ring grooves . . . . . Set \$1,199.00
- 7677P40 Ross 409 12/1 Forged pistons, stock stroke, stock rod, 5/64 5/64 3/16 ring grooves . . . . . Set \$1,199.00
- 7677P60 Ross 409 12/1 Forged pistons, stock stroke, stock rod, 5/64 5/64 3/16 ring grooves . . . . . Set \$1,199.00
- 7677P70 Ross 409 12/1 Forged pistons, stock stroke, stock rod, 5/64 5/64 3/16 ring grooves . . . . . Set \$1,199.00
- 7817P38 ICON 409 10/1 Forged pistons, stock stroke, 6.135 rods, 1/16 1/16 3/16 ring grooves . . . . . Set \$835.00
- 7817P48 ICON 409 10/1 Forged pistons, stock stroke, 6.135 rods, 1/16 1/16 3/16 ring grooves . . . . . Set \$835.00
- 7817P68 ICON 409 10/1 Forged pistons, stock stroke, 6.135 rods, 1/16 1/16 3/16 ring grooves . . . . . Set \$835.00
- 7817P78 ICON 409 10/1 Forged pistons, stock stroke, 6.135 rods, 1/16 1/16 3/16 ring grooves . . . . . Set \$835.00
- 9216P30 Ross 409 10.5-1 Forged pistons stock stroke 6.135 rods 1/16, 1/16, 3/13 ring grooves . . . . . Set \$890.00
- 9216P40 Ross 409 10.5/1 Forged pistons stock stroke 6.135 rods 1/16, 1/16, 3/13 ring grooves . . . . . Set \$890.00
- 6773 Ross 409 11/1 Forged pistons, stock stroke, 6.135 rods 5/64 5/64 3/16 ring grooves . . . . . Set \$1,199.00
- 6773P10 Ross 409 11/1 Forged pistons, stock stroke, 6.135 rods 5/64 5/64 3/16 ring grooves . . . . . Set \$1,199.00
- 6773P20 Ross 409 11/1 Forged pistons, stock stroke, 6.135 rods 5/64 5/64 3/16 ring grooves . . . . . Set \$1,199.00
- 6773P30 Ross 409 11/1 Forged pistons, stock stroke, 6.135 rods 5/64 5/64 3/16 ring grooves . . . . . Set \$1,199.00
- 6773P40 Ross 409 11/1 Forged pistons, stock stroke, 6.135 rods 5/64 5/64 3/16 ring grooves . . . . . Set \$1,199.00
- 6773P60 Ross 409 11/1 Forged pistons, stock stroke, 6.135 rods 5/64 5/64 3/16 ring grooves . . . . . Set \$1,199.00
- 6773P70 Ross 409 11/1 Forged pistons, stock stroke, 6.135 rods 5/64 5/64 3/16 ring grooves . . . . . Set \$1,199.00
- 6773P80 Ross 409 11/1 Forged pistons, stock stroke, 6.135 rods 5/64 5/64 3/16 ring grooves . . . . . Set \$1,199.00
- 6773P90 Ross 409 11/1 Forged pistons, stock stroke, 6.135 rods 5/64 5/64 3/16 ring grooves . . . . . Set \$1,199.00
- 6773P100 Ross 409 11/1 Forged pistons, stock stroke, 6.135 rods 5/64 5/64 3/16 ring grooves . . . . . Set \$1,199.00
- 6773P120 Ross 409 11/1 Forged pistons, stock stroke, 6.135 rods 5/64 5/64 3/16 ring grooves . . . . . Set \$1,199.00

## 409 3.76 STROKE FORGED PISTONS . . . 03.156

- 6845P30 Ross 409 11/1 forged pistons, 3.76" stroke 6.135 rods, 5/64 5/64 3/16 ring grooves . . . . . Set \$1,199.00
- 6845P40 Ross 409 11/1 forged pistons, 3.76" stroke 6.135 rods, 5/64 5/64 3/16 ring grooves . . . . . Set \$1,199.00
- 6845P60 Ross 409 11/1 forged pistons, 3.76" stroke 6.135 rods, 5/64 5/64 3/16 ring grooves . . . . . Set \$1,199.00
- 6845P70 Ross 409 11/1 forged pistons, 3.76" stroke 6.135 rods, 5/64 5/64 3/16 ring grooves . . . . . Set \$1,199.00
- 6845P125 Ross 409 11/1 forged pistons, 3.76" stroke 6.135 rods, 5/64 5/64 3/16 ring grooves . . . . . Set \$1,199.00
- 7010P30 Ross 409 11/1 Forged pistons, 3.76" stroke, 6.385 rods, 5/64 5/64 3/16 ring grooves . . . . . Set \$1,199.00
- 7010P40 Ross 409 11/1 Forged pistons, 3.76" stroke, 6.385 rods, 5/64 5/64 3/16 ring grooves . . . . . Set \$1,199.00
- 7010P60 Ross 409 11/1 Forged pistons, 3.76" stroke, 6.385 rods, 5/64 5/64 3/16 ring grooves . . . . . Set \$1,199.00

## 409 4" STROKE FORGED PISTONS . . . . . 03.156

- 7554P20 Ross 409 10.5/1 Forged pistons, 4" stroke, 6.135 rods, 1/16 1/16 3/16 ring grooves, valve lift to .570 . . . . . Set \$1,199.00
- 7554P30 Ross 409 10.5/1 Forged pistons, 4" stroke, 6.135 rods, 1/16 1/16 3/16 ring grooves, valve lift to .570 . . . . . Set \$890.00
- 7554P40 Ross 409 10.5/1 Forged pistons, 4" stroke, 6.135 rods, 1/16 1/16 3/16 ring grooves, valve lift to .570 . . . . . Set \$1,199.00
- 7554P60 Ross 409 10.5/1 Forged pistons, 4" stroke, 6.135 rods, 1/16 1/16 3/16 ring grooves, valve lift to .570 . . . . . Set \$890.00
- 7554P80 Ross 409 10.5/1 Forged pistons, 4" stroke, 6.135 rods, 1/16 1/16 3/16 ring grooves, valve lift to .570 . . . . . Set \$1,199.00

**All prices subject to change without notice. Any installed part is not returnable**

# Page 48 Show-Cars.com 1-24 Catalog

- 9201P30 Ross 409 10.5/1 Forged pistons 4" stroke 6.385 rod 1/16 1/16 3/16 ring grooves . . . . . Set \$890.00
- 9201P40 Ross 409 10.5/1 Forged pistons 4" stroke 6.385 rod 1/16 1/16 3/16 ring grooves . . . . . Set \$1199.00
- 9201P60 Ross 409 10.5/1 Forged pistons 4" stroke 6.385 rod 1/16 1/16 3/16 ring grooves . . . . . Set \$1199.00

- 7819P38 ICON 409 11/1 Forged pistons, 4" stroke, 6.135 rod 1/16 1/16 3/16 ring grooves 677g. . . . . Set \$835.00
- 7819P48 ICON 409 11/1 Forged pistons, 4" stroke, 6.135 rods 1/16 1/16 3/16 ring grooves 684g. . . . . Set \$835.00
- 7819P68 ICON 409 11/1 Forged pistons, 4" stroke, 6.135 rod 1/16 1/16 3/16 ring grooves 695g. . . . . Set \$835.00
- 7819P78 ICON 409 11/1 Forged pistons, 4" stroke, 6.135 rod 1/16 1/16 3/16 ring grooves 695g. . . . . Set \$835.00

- 6089 Ross 409 12/1 Forges pistons, 4" stroke, 6.135 rods, 5/64 5/64 3/16 ring grooves . . . . . Set \$1,199.00
- 6089P30 Ross 409 12/1 Forges pistons, 4" stroke, 6.135 rods, 5/64 5/64 3/16 ring grooves . . . . . Set \$1,199.00
- 6089P40 Ross 409 12/1 Forges pistons, 4" stroke, 6.135 rods, 5/64 5/64 3/16 ring grooves . . . . . Set \$1,199.00
- 6089P60 Ross 409 12/1 Forges pistons, 4" stroke, 6.135 rods, 5/64 5/64 3/16 ring grooves . . . . . Set \$1,199.00
- 6089P80 Ross 409 12/1 Forges pistons, 4" stroke, 6.135 rods, 5/64 5/64 3/16 ring grooves . . . . . Set \$1,199.00

- 6858P30 Ross 409 12/1 Forged Pistons, 4" stroke 6.385 rods, 5/64 5/64 3/16 ring grooves . . . . . Set \$1,199.00
- 6858P40 Ross 409 12/1 Forged Pistons, 4" stroke 6.385 rods, 5/64 5/64 3/16 ring grooves . . . . . Set \$1,199.00
- 6858P60 Ross 409 12/1 Forged Pistons, 4" stroke 6.385 rods, 5/64 5/64 3/16 ring grooves . . . . . Set \$1,199.00

## 409 4.25 STROKE FORGED PISTONS 12-1 WITH PINS . . . . . 03.156

*Wrist pin is in the oil ring groove, must use oil ring support*

- 7011P30 Ross 409 12/1 Forged pistons, 4.25" stroke, 6.385 rods, 5/64 5/64 3/16 ring grooves . . . . . Set \$1,199.00
- 7011P40 Ross 409 12/1 Forged pistons, 4.25" stroke, 6.385 rods, 5/64 5/64 3/16 ring grooves . . . . . Set \$1,199.00
- 7011P60 Ross 409 12/1 Forged pistons, 4.25" stroke, 6.385 rods, 5/64 5/64 3/16 ring grooves . . . . . Set \$1,199.00
- 7011P80 Ross 409 12/1 Forged pistons, 4.25" stroke, 6.385 rods, 5/64 5/64 3/16 ring grooves . . . . . Set \$1199.00

- 7012P30 409 ring support for 4.25" stroke pistons . . . . . Set \$80.00
- 7012P40 409 ring support for 4.25" stroke pistons . . . . . Set \$80.00
- 7012P60 409 ring support for 4.25" stroke pistons . . . . . Set \$80.00
- 7012P80 409 ring support for 4.25" stroke pistons . . . . . Set \$80.00

## PISTON PINS . . . . . 03.150

- 4205 409 Piston pins for cast pistons. . . . . Set \$95.00
- 8312 348/409 Standard piston pin for cast pistons . . . . . Ea \$11.85

- 6611 348/409 Piston pins for floating rods plus .003 Ea \$11.85
- 6612 348/409 Piston pins for floating rods plus .0015 . . . . . Ea \$11.85

## CRANKSHAFTS . . . . . 03.155



Show Cars Part #6097

- 6097 New Eagle 409 4" Stroker crank forged alloy steel cross drilled for internal balancing . . . . . Ea \$1,075.00
- 7844 New Scat 409 4" stroker crank 4340 forged steel internally balanced Must be balanced as a rotating assembly. . . . . Ea \$1,219.95
- 6098 Reconditioned Big Block 409 4" stroker crank forged alloy steel unbalanced, Core required. . . . . Ea \$399.00
- 7251 New (Eagle or Scat) forged steel 409 4.25 stroker crank for external balancing . . . . . Ea \$950.00



- 6529 409 Callies Dragon Slayer 4" stroker crank. Forged steel for external balancing. . . . . Ea \$1936.00
- 6530 409 Callies Dragon Slayer 4.25" stroker crank. forged steel, for external balancing . . . . . Ea \$1936.00

- 7019 Crankshaft shipping or storage case . . . . . Ea \$62.00
- 7337 Crankshaft pin. . . . . Ea \$5.00

## MAIN CAPS . . . . . 03.158

- 8687 61-65 409 2 bolt main cap set. . . . . Set \$1050.00
- 8688 61-65 409 Front 2 bolt main cap. . . . . Ea \$112.71

**Go to Show-Cars.com for updates and many more pictures**



# 507-233-1958 Fax 507-354-1959 1-24 Catalog 49

8689	61-65 409 Rear 2 bolt main cap	Ea	\$569.25
8690	61-65 409 Center 4 straight bolt main caps (3ps)	Set	\$411.13
8691	61-65 409 Center 4 angled bolt main cap (3pcs)	Set	\$411.13
9197	348/409 Main cap girdle with bolts	Ea	\$145.00

## CONNECTING RODS..... 03.160

6350	348 reconditioned	Ea	\$30.00
6351	409 reconditioned	Ea	\$30.00

\$8.00 Core on Reconditioned rods

**NO RETURNS ON RECONDITIONED**

## RODS

*New 409 4340 forged steel stock length connecting rods have an average weight of 750 grams.*

7205	New 409 4340 forged steel stock length connecting rod, press fit. Average weight 750 grams. 7/16 ARP bolts I beam	Ea	\$100.00
------	---	----	----------



## Show Cars Part #7205S

7205S	New 409 4340 forged steel stock length connecting rod, press fit. Average weight 750 grams. 7/16 ARP bolts I beam	Set	\$719.00
7225	New 409 4340 forged steel stock length connecting rod, bronzed bushings. Average weight 750 grams. 7/16 ARP bolts I beam	Ea	\$100.00
7225S	New 409 4340 forged steel stock length connecting rod, bronze bushings. Average weight 750 grams. 7/16 ARP bolts I beam	Set	\$719.00
5696	Big Block Chevy 6.135 rods pressed pins 3/8 ARP Bolts	Set	\$375.00
7207	Big Block Chevy rods 6.385 I Beam ,floating pins 7/16 ARP Bolts	Set	\$299.00
6819	Eagle Forged I beam rods 6.135 press fit, 7/16 ARP Bolts	Set	\$410.00
6820	Eagle Forged I Beam rods 6.135 bronze bushing, 7/16 ARP bolts	Set	\$439.00
6822	Eagle forged H beam rods 6.135 bronze bushing, 7/16 ARP		

Bolts	Set	\$569.00
-------	-----	----------

6824	Eagle Forged I beam rods 6.385 bronze bushing, 7/16 ARP Bolts	Set	\$439.00
6826	Eagle Forged H beam rods 6.385 bronze bushing, 7/16 ARP Bolts	Set	\$569.00
7845	Scat I beam stroker rods 6.135 w7/16 ARP bolts, bronze bushings, no grinding on block needed	Set	\$476.50
7846	Scat I beam stroker rods 6.385 w7/16 ARP bolts, bronze bushings, no grinding on block needed	Set	\$480.00
7847	Scat H beam rods 6.135 w7/16 ARP bolts, bronze bushings	Set	\$580.00
7848	Scat H beam rods 6.385 w7/16 ARP bolts, bronze bushings	Set	\$580.00
7851	Callies H beam rods 6.135 w7/16 bolts, bronze bushings	Set	\$745.00
7852	Callies H beam rods 6.385 w 7/16 bolts, bronze bushings	Set	\$745.00

## 03.170 348 CAST PISTON RING SETS 5/64 5/64 3/16 RING GROOVES

3340	348 STD Hastings cast rings, 5/64 5/64 3/16 ring grooves	Set	\$50.95
3340P20	348.020 Hastings cast rings, 5/64 5/64 3/16 ring grooves	Set	\$50.95
3340P30	348.030 Hastings cast rings, 5/64 5/64 3/16 ring grooves	Set	\$50.95
3340P40	348.040 Hastings cast rings, 5/64 5/64 3/16 ring grooves	Set	\$50.95
3340P60	348.060 Hastings cast rings, 5/64 5/64 3/16 ring grooves	Set	\$50.95
3340P70	348.070 Hastings cast rings, 5/64 5/64 3/16 ring grooves	Set	\$50.95
3340P80	348.080 Hastings cast rings, 5/64 5/64 3/16 ring grooves	Set	\$85.00
3340P100	348.100 Hastings cast rings, 5/64 5/64 3/16 ring grooves	Set	\$85.00
3340P125	348.125 Hastings cast rings, 5/64 5/64 3/16 ring grooves	Set	\$50.95
7788	348 STD Sealed Power cast rings 5/64 5/64 3/16 Ring grooves	Set	\$73.95
7788P30	348.030 Sealed Power cast rings 5/64 5/64 3/16 Ring grooves	Set	\$73.95
7788P40	348.040 Sealed Power cast rings 5/64 5/64 3/16 Ring grooves	Set	\$73.95

## 348 CAST PISTON RING SETS FOR ONE PISTON 5/34 5/64 3/16 RING GROOVES . .

<b>03.172</b>			
7029	348 STD Hastings Cast Rings for 1 piston 5/64 5/64 3/16 ring grooves	Set	\$11.50
7029P20	348 020 Hastings Cast Rings for 1 piston 5/64 5/64 3/16 ring grooves	Set	\$11.50

**All prices subject to change without notice. Any installed part is not returnable**

# Page 50 Show-Cars.com 1-24 Catalog

7029P30	348.030 Hastings Cast Rings for 1 piston 5/64 5/64 3/16 ring grooves	Set \$11.50
7029P40	348.040 Hastings Cast Rings for 1 piston 5/64 5/64 3/16 ring grooves	Set \$11.50
7029P60	348.060 Hastings Cast Rings for 1 piston 5/64 5/64 3/16 ring grooves	Set \$11.50
7029P80	348.080 Hastings Cast Rings for 1 piston 5/64 5/64 3/16 ring grooves	Set \$11.50

## 348 MOLY PISTON RING SETS 5/64 5/64 3/16 RING GROOVES . . . . . 03.176

3341	348 STD Hastings moly rings 5/64 5/64 3/16 ring grooves	Set \$64.90
3341P20	348 .020 Hastings moly rings 5/64 5/64 3/16 ring grooves	Set \$64.90
3341P30	348 .030 Hastings moly rings 5/64 5/64 3/16 ring grooves	Set \$64.90
3341P40	348 .040 Hastings moly rings 5/64 5/64 3/16 ring grooves	Set \$64.90
3341P60	348 .060 Hastings moly rings 5/64 5/64 3/16 ring grooves	Set \$71.50
3341P70	348 .070 Hastings moly rings 5/64 5/64 3/16 ring grooves	Set \$82.00
3341P80	348 .080 Hastings moly rings 5/64 5/64 3/16 ring grooves	Set \$82.00
3341P90	348 .090 Hastings moly rings 5/64 5/64 3/16 ring grooves	Set \$64.90
3341P100	348 .100 Hastings moly rings 5/64 5/64 3/16 ring grooves	Set \$84.90
3341P125	348 .125 Hastings moly rings 5/64 5/64 3/16 ring grooves	Set \$64.90
7790	348 STD Sealed Power Moly rings 5/64 5/64 3/16 ring grooves	Set \$93.25
7790P20	348 .020 Sealed Power Moly rings 5/64 5/64 3/16 ring grooves	Set \$93.25
7790P30	348 .030 Sealed Power Moly rings 5/64 5/64 3/16 ring grooves	Set \$93.25
7790P40	348 .040 Sealed Power Moly rings 5/64 5/64 3/16 ring grooves	Set \$93.25
7790P60	348 .060 Sealed Power Moly rings 5/64 5/64 3/16 ring grooves	Set \$93.25

## 348 MOLY PISTON RING SETS FOR 1 PISTON 5/64 5/64 3/16 RING GROOVES . . . . . 03.177

7034	348 Std Mixed brand moly rings for 1 piston 5/64 5/64 3/16 ring grooves	Set \$23.07
7034P20	348 .020 Mixed brand moly rings for 1 piston 5/64 5/64 3/16 ring grooves	Set \$23.07
7034P30	348.030 Mixed brand moly rings for 1 piston 5/64 5/64 3/16 ring grooves	Set \$23.07

7034P40	.348.040 Mixed brand moly rings for 1 piston 5/64 5/64 3/16 ring grooves	Set \$23.04
---------	--	-------------

## 348 MOLY PISTON RING SETS 1/16 1/16 3/16 RING GROOVES . . . . . 03.178

8162	348 STD Engine Pro Moly rings 1/16 1/16 3/16 ring grooves	Set \$106.50
8162P20	348 .020 Engine Pro Moly rings 1/16 1/16 3/16 ring grooves	Set \$106.50
8162P30	348 .030 Engine Pro Moly rings 1/16 1/16 3/16 ring grooves	Set \$115.00
8162P40	348 .040 Engine Pro Moly rings 1/16 1/16 3/16 ring grooves	Set \$115.00
8162P60	348 .060 Engine Pro Moly rings 1/16 1/16 3/16 ring grooves	Set \$115.00

## 348 MOLY FILE FIT PISTON RING SETS 5/64 5/64 3/16 RING GROOVES . . . 03.180

7336	348 STD Engine Pro Moly file fit rings 5/64 5/64 3/16 ring grooves	Set \$130.00
7336P20	348 .020 Engine Pro Moly file fit rings 5/64 5/64 3/16 ring grooves	Set \$130.00
7336P30	348 .030 Engine Pro Moly file fit rings 5/64 5/64 3/16 ring grooves	Set \$130.00
7336P40	348 .040 Engine Pro Moly file fit rings 5/64 5/64 3/16 ring grooves	Set \$130.00
7336P60	348 .060 Engine Pro Moly file fit rings 5/64 5/64 3/16 ring grooves	Set \$130.00
7336P80	348 .080 Engine Pro Moly file fit rings 5/64 5/64 3/16 ring grooves	Set \$130.00
7336P125	348 .125 Engine Pro Moly file fit rings 5/64 5/64 3/16 ring grooves	Set \$130.00

## 348 MOLY FILE FIT PISTON RING SETS 1/16 1/16 3/16 RING GROOVES . . . 03.182

8102	348 STD Engine Pro Moly file fit 1/16 1/16 3/16 ring grooves	Set \$119.50
8102P20	348 .020 Engine Pro Moly file fit 1/16 1/16 3/16 ring grooves	Set \$119.50
8102P30	348 .030 Engine Pro Moly file fit 1/16 1/16 3/16 ring grooves	Set \$119.50
8102P40	348 .040 Engine Pro Moly file fit 1/16 1/16 3/16 ring grooves	Set \$119.50
8102P60	348 .060 Engine Pro Moly file fit 1/16 1/16 3/16 ring grooves	Set \$119.50
8102P80	348 .080 Engine Pro Moly file fit 1/16 1/16 3/16 ring grooves	Set \$185.00
8102P125	348 .125 Engine Pro Moly file fit 1/16 1/16 3/16 ring grooves	Set \$139.95

## 409 CAST PISTON RING SETS 5/64 5/64

Go to Show-Cars.com for updates and many more pictures

# 507-233-1958 Fax 507-354-1959 1-24 Catalog 51

## 3/16 RING GROOVES ..... 03.190

3340A	409 STD Hastings cast rings 5/64 5/64 3/16 ring grooves	Set	\$68.95
3340AP30	409 .030 Hastings cast rings 5/64 5/64 3/16 ring grooves	Set	\$78.95
3340AP40	409 .040 Hastings cast rings 5/64 5/64 3/16 ring grooves	Set	\$78.95
3340AP60	409 .060 Hastings cast rings 5/64 5/64 3/16 ring grooves	Set	\$78.95
3340AP70	409 .070 Hastings cast rings 5/64 5/64 3/16 ring grooves	Set	\$68.95
3340AP80	409 .080 Hastings cast rings 5/64 5/64 3/16 ring grooves	Set	\$78.95
3340AP90	409 .090 Hastings cast rings 5/64 5/64 3/16 ring grooves	Set	\$78.95
3340AP125	.125 STD Hastings cast rings 5/64 5/64 3/16 ring grooves	Set	\$78.95

7789P30	409 .030 Sealed Power cast rings 5/64 5/64 3/16 ring grooves	Set	\$89.95
7789P40	409 .040 Sealed Power cast rings 5/64 5/64 3/16 ring grooves	Set	\$89.95
7789P60	409 .060 Sealed Power cast rings 5/64 5/64 3/16 ring grooves	Set	\$89.95
7789P80	409 .080 Sealed Power cast rings 5/64 5/64 3/16 ring grooves	Set	\$95.00

## 409 CAST PISTON RING SETS FOR 1 PISTON 5/64 5/64 3/16 RING GROOVES ..... 03.192

7039	409 STD Hastings Cast rings for 1 piston 5/64 5/64 3/16 ring grooves	Set	\$11.50
7039P20	409 .020 Hastings Cast rings for 1 piston 5/64 5/64 3/16 ring grooves	Set	\$11.50
7039P30	409 .030 Hastings Cast rings for 1 piston 5/64 5/64 3/16 ring grooves	Set	\$11.50
7039P40	409 .040 Hastings Cast rings for 1 piston 5/64 5/64 3/16 ring grooves	Set	\$11.50
7039P60	409 .060 Hastings Cast rings for 1 piston 5/64 5/64 3/16 ring grooves	Set	\$11.50

## 409 CAST FILE FIT RING SSETS 5/64 5/64 3/16 RING GROOVES ..... 03.194

6747	409 STD Hastings cast file fit rings 5/64 5/64 3/16 ring grooves	Set	\$59.95
6747P20	409 .020 Hastings cast file fit rings 5/64 5/64 3/16 ring grooves	Set	\$68.95
6747P30	409 .030 Hastings cast file fit rings 5/64 5/64 3/16 ring grooves	Set	\$59.95
6747P40	409 .040 Hastings cast file fit rings 5/64 5/64 3/16 ring		

6747P60	409 .060 Hastings cast file fit rings 5/64 5/64 3/16 ring grooves	Set	\$59.95
6749	409 STD Sealed power cast file fit rings 5/64 5/64 3/16 ring grooves	Set	\$69.00
6749P20	409 .020 Sealed power cast file fit rings 5/64 5/64 3/16 ring grooves	Set	\$60.00
6749P30	409 .030 Sealed power cast file fit rings 5/64 5/64 3/16 ring grooves	Set	\$69.00
6749P40	409 .040 Sealed power cast file fit rings 5/64 5/64 3/16 ring grooves	Set	\$69.00
6749P60	409 .060 Sealed power cast file fit rings 5/64 5/64 3/16 ring grooves	Set	\$69.00

## 409 MOLY PISTON RING SETS 5/64 5/64 3/16 RING GROOVES ..... 03.196

3341A	409 STD Hastings Moly rings 5/64 5/64 3/16 ring grooves	Set	\$109.95
3341AP30	409 .030 Hastings Moly rings 5/64 5/64 3/16 ring grooves	Set	\$109.95
3341AP40	409 .040 Hastings Moly rings 5/64 5/64 3/16 ring grooves	Set	\$109.95
3341AP60	409 .060 Hastings Moly rings 5/64 5/64 3/16 ring grooves	Set	\$109.95
3341AP70	409 .070 Hastings Moly rings 5/64 5/64 3/16 ring grooves	Set	\$109.95
3341AP80	409 .080 Hastings Moly rings 5/64 5/64 3/16 ring grooves	Set	\$109.95
3341AP90	409 .090 Hastings Moly rings 5/64 5/64 3/16 ring grooves	Set	\$109.95
3341AP100	409 .100 Hastings Moly rings 5/64 5/64 3/16 ring grooves	Set	\$109.95
3341AP125	409 .125 Hastings Moly rings 5/64 5/64 3/16 ring grooves		
7791	409 STD Sealed Power Moly rings 5/64 5/64 3/16 ring grooves	Set	\$138.75
7791P30	409 .030 Sealed Power Moly rings 5/64 5/64 3/16 ring grooves	Set	\$138.75
7791P40	409 .040 Sealed Power Moly rings 5/64 5/64 3/16 ring grooves	Set	\$138.75
7791P60	409 .060 STD Sealed Power Moly rings 5/64 5/64 3/16 ring grooves	Set	\$138.75
7791P80	409 .080 Sealed Power Moly rings 5/64 5/64 3/16 ring grooves	Set	\$150.00
7791P100	409 .100 Sealed Power Moly rings 5/64 5/64 3/16 ring grooves	Set	\$150.00
7791P125	409 .125 Sealed Power Moly rings 5/64 5/64 3/16 ring grooves	Set	\$150.00

## 409 MOLY PISTON RING SETS FOR ONE

**All prices subject to change without notice. Any installed part is not returnable**

# Page 52 Show-Cars.com 1-24 Catalog

## PISTON 5/64 5/64 316 RING GROOVES . . .

		<b>03.197</b>
7044	409 STD Hastings Moly rings for 1 piston 5/64 5/64 3/16 ring grooves . . . . . Set	\$23.07
7044P20	409 .020 Hastings Moly rings for 1 piston 5/64 5/64 3/16 ring grooves . . . . . Set	\$23.07
7044P30	409 .030 Hastings Moly rings for 1 piston 5/64 5/64 3/16 ring grooves . . . . . Set	\$23.07
7044P40	409 .040 Hastings Moly rings for 1 piston 5/64 5/64 3/16 ring grooves . . . . . Set	\$23.07
7044P60	409 .060 Hastings Moly rings for 1 piston 5/64 5/64 3/16 ring grooves . . . . . Set	\$23.07

## 409 MOLY FILE FIT RING SETS 5/64 5/64 3/16 RING GOOVES . . . . . 03.200

6748	409 STD Hastings moly file fit rings 5/64 5/64 3/16 ring grooves . . . . . Set	\$85.50
6748P20	409 .020 Hastings moly file fit rings 5/64 5/64 3/16 ring grooves . . . . . Set	\$85.50
6748P30	409 .030 Hastings moly file fit rings 5/64 5/64 3/16 ring grooves . . . . . Set	\$85.50
6748P40	409 .040 Hastings moly file fit rings 5/64 5/64 3/16 ring grooves . . . . . Set	\$85.50
6748P60	409 .050 Hastings moly file fit rings 5/64 5/64 3/16 ring grooves . . . . . Set	\$85.50
6748P100	409 .100 Hastings moly file fit rings 5/64 5/64 3/16 ring grooves . . . . . Set	\$85.50
6750	409 STD Sealed power moly file fit rings 5/64 5/64 3/16 ring grooves . . . . . Set	\$106.00
6750P20	409 .020 Sealed powers moly file fit rings 5/64 5/64 3/16 ring grooves . . . . . Set	\$106.00
6750P30	409 .030 Sealed power moly file fit rings 5/64 5/64 3/16 ring grooves . . . . . Set	\$106.00
6750P40	409 .040 Sealed power moly file fit rings 5/64 5/64 3/16 ring grooves . . . . . Set	\$106.00
6750P60	409 .060 Sealed power moly file fit rings 5/64 5/64 3/16 ring grooves . . . . . Set	\$106.00
6750P80	409 .080 Sealed power moly file fit rings 5/64 5/64 3/16 ring grooves . . . . . Set	\$106.00

## 409 MOLY FILE FIT RING SETS 1/16 1/16 3/16 RING GOOVES . . . . . 03.202

7634	409 STD Engine Pro Moly file fit rings 1/16 1/16 3/16 ring grooves . . . . . Set	\$139.95
7634P10	409 .010 Engine Pro Moly file fint rings /16 1/16 3/16 ring grooves . . . . . Set	\$139.95
7634P20	409 .020 Engine Pro Moly file fint rings /16 1/16 3/16 ring grooves . . . . . Set	\$139.95
7634P30	409 .030 Engine Pro Moly file fint rings /16 1/16 3/16 ring	

	grooves . . . . . Set	\$139.95
7634P40	409 .040 Engine Pro Moly file fint rings /16 1/16 3/16 ring grooves . . . . . Set	\$139.95
7634P48	409 .048 Engine Pro Moly file fint rings /16 1/16 3/16 ring grooves . . . . . Set	\$139.95
7634P60	409 .060 Engine Pro Moly file fint rings /16 1/16 3/16 ring grooves . . . . . Set	\$139.95
7634P70	409 .040 Engine Pro Moly file fint rings /16 1/16 3/16 ring grooves . . . . . Set	\$139.95
7634P80	409 .080 Engine Pro Moly file fint rings /16 1/16 3/16 ring grooves . . . . . Set	\$139.95

## ROD BEARINGS . . . . . 03.210

*Clevite-77*

3342	348/409 Rod Bearings . . . . . Set	\$68.00
3342-001	348/409 Rod Bearings . . . . . Set	\$80.00
3342-002	348/409 Rod Bearings . . . . . Set	\$80.00
3342-10	348/409 Rod Bearings . . . . . Set	\$68.00
3342-20	348/409 Rod Bearings . . . . . Set	\$68.00
3342-30	348/409 Rod Bearings . . . . . Set	\$68.00
3342-40	348/409 Rod Bearings . . . . . Set	\$68.00

## RACING ROD BEARINGS . . . . . 03.210

*Clevite H Seri747*

3342H	348-409 Standard Set of 8 . . . . . Set	\$119.00
3342H-001	348-409 Standard Set of 8 . . . . . Set	\$119.00
3342H-10	348-409 .010 Set of 8 . . . . . Set	\$119.00
3342H-20	348-409 .020 Set of 8 . . . . . Set	\$119.00
3342H-30	348-409 .030 Set of 8 . . . . . Set	\$119.00
3342H-40	348-409 .040 Set of 8 . . . . . Set	\$126.75

## FEDERAL MOGUL H SERIES

3347H	Federal Mogul Pro racing main bearings . . . . . Set	\$259.00
-------	--	----------

## ROD BEARINGS . . . . . 03.210

*King*

3342A	348-409 Standard Set of 8 . . . . .	\$33.00
3342A-001	348/409 .001 Set of 8 . . . . .	\$33.00
3342A-002	348/409 .002 Set of 8 . . . . .	\$33.00
3342A-10	348-409 .010 Set of 8 . . . . .	\$33.00
3342A-20	348-409 .020 Set of 8 . . . . .	\$33.00
3342A-30	348-409 .030 Set of 8 . . . . .	\$33.00
3342A-40	348-409 .040 Set of 8 . . . . .	\$33.00

## RACING MAIN BEARINGS . . . . . 03.210

*Clevite H Series*

3343H	348-409 Standard . . . . . Set	\$249.00
-------	--------------------------------	----------

## MAIN BEARINGS . . . . . 03.210

*Mixed name brands*

3343	348-409 Standard . . . . . Set	\$219.00
3343-10	348-409 -.010 . . . . . Set	\$219.00
3343-20	348-409 -.020 . . . . . Set	\$219.00
3343-30	348-409 -.030 . . . . . Set	\$219.00

**Go to Show-Cars.com for updates and many more pictures**

# 507-233-1958 Fax 507-354-1959 1-24 Catalog 53

3343-40 348-409-.040 . . . . . Set \$219.00  
 3343-60 348-409-.060 . . . . . Set \$259.00

## Federal Mogel

3347 348/409 Standard . . . . . Set \$289.50  
 3347-10 348/409 -.010 . . . . . Set \$289.50  
 3347-20 348/409 -.020 . . . . . Set \$289.50

## Imported

6733 348/409 standard . . . . . Set \$219.00  
 6733-10 348/409 -.010 . . . . . Set \$219.00  
 6733-20 348/409 -.020 . . . . . Set \$219.00  
 6733-30 348/409 -.030 . . . . . Set \$219.00  
 6733-40 348/409 -.040 . . . . . Set \$219.00

## CAMSHAFT BEARINGS . . . . . 03.250

### Clevite-77 or Dura Bond

1085 58-64 348-409 standard . . . . . Set \$45.00

## LIFTERS . . . . . 03.300

8262 348/409 Hydraulic lifter . . . . . Ea \$10.90  
 3327 348/409 Hydraulic lifters . . . . . Set \$124.50  
 3327H 348/409 High perf. hydraulic lifters. . . . . Set \$129.50  
 6017 348/409 Isky Hydraulic lifters . . . . . Set \$313.00  
 7740 348/409 Comp Cams high energy hydraulic lifters. . . . . Set \$119.95  
 7741 348/409 Comp Cams Pro Magnum high performance hydraulic lifter . . . . . Set \$140.00  
 7742 348/409 Comp Cams Hi performance hydraulic lifter . . . . . Set \$120.00  
 7743 348/409 Comp Cams hydraulic racing lifter. . . . . Set \$129.95  
 3328 348/409 Solid lifters . . . . . Set \$99.95  
 8263 348/409 Solid lifter . . . . . Ea \$5.50  
 5932 348/409 Isky Hi-performance solid lifters . . . . . Set \$379.00  
 7744 348/409 Comp Cams solid lifters . . . . . Set \$185.95  
 7745 348/409 Comp Cams performance solid lifters. . . . . Set \$209.95  
 8138 348/409 Comp Cams solid lifter with 0.12 oil hole . . . . . Set \$299.95  
 8139 348/409 Isky solid lifters w/.024 oil hole . . . . . Set \$529.00  
 6018 348/409 Isky solid roller lifters set of 16 . . . . . Set \$847.00  
 7750 348/409 Comp Cams solid roller lifter with correct links . . . . . Set \$679.00  
 7482 348/409 Edelbrock hydraulic roller lifters . . . . . Set \$959.95  
 7542 348/409 Isky hydraulic roller lifters . . . . . Set \$920.00  
 7756 348/409 Comp Cams hydraulic roller lifters . . . . . Set \$710.95  
 8342 348/409 Renegade retro-fit hydraulic roller lifters . . . . . Set \$405.00  
 8698 348/409 Isky Red Zone solid roller lifters with EZ roll X bearings. Ideal for applications with 900-1100 pounds open spring pressure . . . . . Set \$1029.95  
 8699 348/409 Isky Red Zone solid roller lifters with EZ Rollmax bearings. Good for applications with 1100-1400 pounds open spring pressure . . . . . Set \$1105.00

## OIL GALLEY PLUGS . . . . . 03.310

3885 58-65 348-409 Oil Galley Plugs 5/16 inch press in (4) . . . . . Set \$14.28  
 5808 58-65 348/409 oil galley plugs, threaded 12 pcs . . . . . Kit \$15.00  
 7420 348/409 Block plug behind cam gear 1-5/8 . . . . . Ea \$9.50

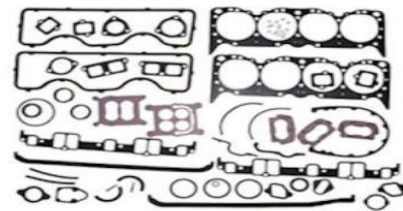
## FREEZE/EXPANSION PLUGS . . . . . 03.310

5491 58-68 348/409 Brass freeze plugs. . . . . Set \$65.00  
 4033A 58-65 348/409 Steel freeze plugs. . . . . Set \$27.50

## HARDWARE . . . . . 03.310

6682 348/409 Hardware finishing kit (Head and timing cover dowel pins, cam bolts, crankshaft keys . . . . . Kit \$12.00

## GASKET . . . . . 03.350



## Show Cars Part #5657

5657 348-409 Engine rebuild gasket and seal kit, low perf with composite head gaskets (Show Cars Best) . . . . . Kit \$174.75  
 5658 409 Engine rebuild gasket and seal kit high perf. (Show Cars Best) . . . . . Kit \$174.75  
 3344 348/409 Engine rebuild gasket and seal kit, Fel-Pro . . . . . Kit \$159.00  
 3349A 348-409 Valve cover gasket, cork . . . . . Pair \$19.95  
 7888 348/409 Valve cove gasket, Edelbrock (core reinforced composite) . . . . . Pr \$67.95  
 5962 348/409 Valve cover extensions 3/16 steel . . . . . Ea \$27.23  
 5921 348/409 Valve cover bolt gaskets, 12 pieces. . . . . Set \$6.24  
 6710 348/409 Valve cover gasket, 3/8" cork . . . . . Set \$56.50  
 3583 348/409 Oil pan gasket . . . . . Set \$21.90  
 3350 348/409 Intake gasket, low performance . . . . . Set \$29.95  
 3351 409 Intake gasket, hi performance . . . . . Set \$29.95  
 6552 409 Intake gasket, Z11 . . . . . Set \$39.95

**All prices subject to change without notice. Any installed part is not returnable**

# Page 54 Show-Cars.com 1-24 Catalog

7885	348/409 Intake gasket, Edelbrock large port . . . Pr	\$38.95
7886	348/409 Intake gasket, Edelbrock sm port . . . . Pr	\$27.95
6736	348/409 Timing cover gasket . . . . . Ea	\$8.45
3590	348/409 Timing cover gasket, seal & water pump gasket . . . . . Set	\$23.95
7633	348/409 Outer gasket for 2 pc timing cover . . . Ea	\$6.55
3587	All V8 Thermostat housing gasket . . . . . Ea	\$3.50
6202	348/409 Water pump re-build gasket . . . . . Ea	\$4.95
3588	348/409 Water pump to block gasket . . . . . Pr	\$4.99
3575	348/409 Head gasket, 045 steel shim Fel-Pro 3 layers . . . . . Ea	\$38.00
6556	348/409 Head gasket .060 non-steel composite. (Best) . . . . . Ea	\$62.95
3575C	348-409 Head gasket .045 non steel composite. (Best) . . . . . Ea.	\$27.85
7884	348/409 Head gasket, Edelbrock . . . . . Pr	\$132.95
3575A	Head gasket sealant spray . . . . . Ea	\$17.95
7530	348/409 Block to head spacer/shim .042 . . . . . Ea	\$25.00
6269	Head bolt thread sealant . . . . . Tube	\$15.00
3580	348/409 Exhaust gasket, small port . . . . . Set	\$17.95
9094	409 Exhaust gasket large port, graphite with Stainless Steel insert . . . . . Pr	\$30.95
5641	348/409 Header gaskets, large port. . . . . Pr	\$19.60
7320	348/409 Header gasket, Rem Flex graphite hi temp . . . . . Pr	\$39.95
7887	348/409 Header, large port gasket, Edelbrock . . . . . Pr	\$30.95
7624	348/409 Edelbrock 3" header donut . . . . . Pr	\$28.99
7883	348/40P Edelbrock top end large port gasket set, includes: head, intake, exhaust and valve cover gasket plus intake exhaust restrictor. . . . . Set	\$199.95
3581	58-64 fuel pump gaskets . . . . . Ea	\$3.90
3582	58-64 fuel pump backing plate to block gasket . . . . . Ea	\$2.29
3587	All V8 Thermostat housing gasket . . . . . Ea	\$2.50
5911	348/409 distributor gasket. . . . . Ea.	\$3.00

## SEALS . . . . . 03.350

3585	58 348 early rear main seal, rope . . . . . Ea	\$29.95
3584	348/409 rear main seal 4 pc poly . . . . . Ea	\$29.95
3584G	348/409 rear main cap seal . . . . . Ea	\$8.70
5648	348/409 Timing cover crankshaft seal . . . . . Ea.	\$10.90
5720	348/409 Intake manifold exhaust block . . . . . Pr	\$15.00

*Always use spray sealant on all head gaskets and sealer on all head bolts.*

## ROCKER ARMS . . . . . 03.370

**Go to Show-Cars.com for updates and many more pictures**

*Manufactured by Packard, Comp Cams, Edelbrock and Crane.*

8693	348/409 Stamped steel rocker arm, ball and nut assembly 1.75-1 ratio . . . . . Ea	\$16.95
8694	348/409 Stamped steel rocker arm, ball and nut assembly 1.75-1 ratio . . . . . Set	\$199.50
5460A	348/409 Comp-Cams roller tip rocker arms for 7/16 studs, set of 16 . . . . . Set	\$217.50
5460	348/409 Comp-Cams roller tip rocker arms for 3/8 studs, set of 16 . . . . . Set	\$289.95

*Note: Comp Cams roller tip rockers have a maximum spring pressure of 350#*

*Note, when installing roller rockers on a 348 or 409 you must machine the stud bosses and install screw in studs.*



## Show Cars Part #5823

5823	348/409 Scorpion 3/8" roller rocker 1.75 ratio. . . . . . Set	\$439.50
5824	348/409 Scorpion 7/16" roller rocker 1.75 ratio . . . . . Set	\$439.50
8341	348/409 Elgin 7/16" stainless steel roller rocker 1.72 ratio . . . . . Set	\$265.00
6719	Scorpion 7/16 big block roller rocker 1.70 ration . . . . . Set	\$439.50
6720	Scorpion 7/16 big block roller rocker 1.80 ration . . . . . Set	\$439.50
7764	348/409 Edelbrock Red Roller rocker 7/16, 1.71 ratio . . . . . Set	\$701.95
7746	Comp Cams Pro Magnum roller rockers, 1.70 ratio 7/16" studs. Stainless steel . . . . . Set	\$463.95
7747	Comp Cams High Tech roller rockers, 1.73 ratio, 7/16 studs . . . . . Set	\$603.95
7748	Comp Cams High Tech roller rockers, 1.70 ratio, 7/16 studs . . . . . Set	\$556.95
7749	Comp Cams Ultra Pro Magnum roller rockers, 3/8" with 1.70 ratio . . . . . Set	\$449.95
6738	348/409 Scorpion 3/8 stud, 1.70 ratio roller rockers . . . . . Set	\$439.50

# 507-233-1958 Fax 507-354-1959 1-24 Catalog 55

6068	348/409 Crane Gold Race roller rocker arms for 3/8" studs ..... Set	\$439.00
7763	348/409 Edelbrock roller rocker 7/16, 1.70 ratio ..... Ea	\$46.95
6689	348/409 Rocker arm stud roll pins ..... Set	\$4.00
5681	348/409 Rocker arm studs press in type over size .003, ..... Set	\$38.75
5681A	348/409 Rocker arm stud press in oversize .003 ..... Ea	\$2.45
5682	348/409 Rocker arm studs screw in type 3/8 . . Set	\$39.00
5956	348/409 3/8" rocker screw in studs without hex ..... Set	\$27.95
5683	348/409 Rocker arm studs screw in type 7/16 ..... Set	\$34.95
7540	348/409 Manley 7/16 screw in rocker arm studs ..... Set	\$69.00
5684	3/8 Rocker arm steel locking nuts ..... Set	\$13.95
5684A	3/8 Rocker arm balls ..... Set	\$15.95
5685	7/16 Rocker arm steel locking nuts ..... Set	\$12.95
5685A	7/16 Rocker arm balls ..... Set	\$18.95
6170	ARP 7/16 Screw in stud, OAL 2.650, Rocker arm end 1.925 true flat end for poly locks ..... Set	\$85.00
6356	ARP 3/8" screw in studs OAL 2.650, rocker arm end 1.925 has true flat end for polylock ..... Set	\$75.00
5962	348/409 Valve cover extensions 3/16 steel . . . Ea	\$27.23

## VALVE SPRINGS ..... 03.410

Valve springs are one of the most critical and overlooked components in your engine. They must be matched to your cam in order for the engine to reach its full potential. It does absolutely no good to install a cam that will RPM to 8000, if you do not have the correct springs. The use of the wrong valve springs is one of the most common causes of engine failure. Another is the incorrect installation of the valve springs.

### VALVE SPRING CHECK LIST

1. Use only the valve springs that will give the recommended spring pressure with the valve both on the seat and at maximum lift.
2. *Once the valve springs have been installed, it is important to check for coil bind. This means that when the valve is fully open there must be a minimum of .060" clearance between the coils of both the inner and outer springs. If this clearance does not exist, you must either change*

**All prices subject to change without notice. Any installed part is not returnable**

*the retainer or the valve to gain more installed height, or change to a spring that will accommodate more lift or machine the spring seat for extra depth.*

*3. It is important for new springs to take a heat set. Never abuse or run the engine at high RPM when the springs are new. Upon initial start-up, limit RPM to 1500 to 2000 until the temperature has reached operating levels. Shut off the engine and allow the springs to cool to room temperature. This will usually eliminate early breakage and prolong spring life. After the spring has been "broken-in", it is common for it to lose a certain amount of pressure. Once this initial pressure loss occurs, the spring pressure should remain constant until the spring becomes overstressed. Then the valve springs must either be replaced or shimmed to the correct pressure.*

## CAUSES FOR CAM GEAR/BLOCK FAILURE.

*1 Spring pressure. This is the number one cause. It is best to use a bearing or wear shim when spring pressure gets over 325 lbs on a flat tappet cam.*

*2. Crank gear and cam gear must be in alignment, always check this.*

*Oiling. This area does not have a good oil source. This is like a cam running flat. If it starts scoring at start up and break in the damage is done and will not stop. To help with oiling, .020 or .030 hole can be drilled in one of the oil gallery plugs behind the cam gear.*

*This is not a 409 problem, nor is it a Chevrolet problem. GM, Ford and Mopar have this type of problem when using spring pressures over OEM Specifications.*

*This should not be an issue with a roller cam.*

# Page 56 Show-Cars.com 1-24 Catalog

*A roller cam lobe face is flat. All the spring pressure is transferred into the cam bearings. This is why you need to run a cam button. Spring pressure does not pull the cam into the block.*

*On a flat tappet cam the lobe face is tapered about .001 across the face and the tappet/lifters have a spherical radius, this allows rotation. This transfers spring pressure to the cam gear by pulling the cam into the block.*

*Note when installing a roller cam always check the lifter bores for mis-alignment. This can cause what is called "back walking" Can also damage the cam gear and block.*

5963	OD-1.220, ID-.632, Coil bind 1.160 Dual spring (outer spring only, must use existing inner spring) reverse wound fits stock retainers and oil shields on 348 w/1147 heads and 409 w/817 heads. Installed height 1.680 at 110lbs and cam lift to .465 at 290lbs. .... Set \$69.95	5722	OD-1.460, ID-1.095, Coil bind .950 Dual spring reverse wound. will not fit stock retainers and oil shields, must cut OD of valve guide boss to fit inner springs, At installed height of 1.680 at 110lbs and cam lift to .700 at 375 lbs when Installed at 1.730 at 105lbs cam lift to .700 at 360lbs ..... Set \$69.95
3357	OD-1.345, ID-.910, Coil bind 1.140 Spring with damper fits stock retainers and oil shields on all 348 except 1147 heads Installed height 1.680 at 80lbs and cam lift to .500 at 210lbs ..... Set \$119.95	7178	OD-1.460, ID-.995, Coil bind 1.120 spring with flat damper installed at 1.730 at 125 lbs Has cam lift to .565 at 315 lbs ..... Set \$229.00
7394	Edelbrock valve springs. This is for Edelbrock heads, will not work on GM heads. OD-1.550, ID 1.125, single spring with damper. Installed height 1.885 and 130 lbs and a cam lift to .520 at 320 lbs, 3560 at 340 lbs, 600 at 360 lbsSet \$141.95	7179	OD-1.470, ID 1.030 Cpil bind at 1.090. Spring with flat damper installed at 1.680 at 110 lbs has cam lift to .565/325lbs, installed at 1.730 at 125lbs has cam lift to .615/325lbs ..... Set \$139.50
6108	OD-1.430, ID-1.035, Coil bind at 1.080 Spring with damper . Will not fit OEM retainers. Installed height of 1.68 at 120lbs cam lift to 520 at 310lbs when installed ant 1.730 at 115lbs cam lift to 570 at 335lbs ..... Set \$147.50	3359	OD-1.497, ID-1.040, Coil bind 1.060 Spring with damper. Will not fit hi perf 409 stock retainers and oil shields. Installed height 1.680 at 85 lbs and cam lift to .525 at 270lbs ..... Set \$160.00
7195	OD-1.450, ID-.700, Coil bind -1.020 dual spring reverse wound will not fit stock retainers & oil shields. Must cut O.D. of valve guide boss to fit inner spring at installed height of 1.680 at 135 lbs and cam lift to .600 at 445 lbs. When installed at 1.730 at 125 lbs valve lift to .650 at 445lbs. ..... Set \$150.95	5705	OD-1.500, ID- 1.086, Coil bind .950 Spring with damper Will not fit hi perf 409 stock retainers and oil shields. Installed height of 1.680 at 90 lbs cam lift to .670 at 355lbs when anstalled at 1.730 at 85 lbs cam lift to .700 at 355 lbs ..... Set \$99.99
7196	O.D.-1.450. I.D.-.700 Coil bind-1.050 dual spring reverse wound will not fit stock retainers & oil shields. Must cut O.D. of valve guide boss to fit inner spring at installed height of 1.680 at 135 lbs and cam lift to .575 at 445 lbs. When installed at 1.730 at 125 lbs valve lift to .625 at 445lbs ..... Set \$141.95	9048	348 1147 And 409 817 heads only with stock cam. Set \$159.00
3358	OD-1.439, ID-.960, Coil bind 1.080 Spring with damper will not fit stock retainers and oil shields installed height 1.680 at 80lbs and cam lift to .530 at 250lbs .....	6090	OD-1.554, ID-.896, Coil bind .900 Roller cam dual valve spring, will not fit hi perf 409 stock retainers and oil shields. Installed height1.680 at 230 lbs and cam lift to .700 at 490 lbs when installed height is 1.730 at 200 lbs cam lift to .750 at 490 lbs ..... Set \$209.00
		7411	Valve springs for Edelbrock heads-OD 1.510, ID 1.110 Single spring w/damper. Seat 100/1.880, 275/1.380 coil bind=1.300 Max lift .520 ..... Set \$129.00
		7413	Valve spring for Edelbrock heads-OD 1.450, ID .750. Dual spring w/damper. Seat 175/1.950, 440/1.250, coil bind 1.150 Max lift .740 ..... Set \$165.00
		7414	Valve spring for Edelbrock heads. OD 1.540, ID .730 Dual spring w/ damper. Seat 200/1.950, 600/1.200. Coil bind 1.150 Max lift .730 ..... Set \$165.00
		7793	Beehive spring od 1.415, id 1.000 installed height1.680 137lbs has a lift to .650. Installed at 1.730 has a lift to .700 with 370 lbs ..... Set \$185.50
		7794	Beehive spring for Edelbrock heads, od 1.585, id 1.112 installed height 1.730 with 150 lbs has lift to .650 with 410 lbs ..... Set \$225.00
		7795	Beehive springs for Edelbrock heads, od 1.585, id 1.000 Installed height 1.880 with 155 lbs. Has lift to 600 with 377lbs ..... Set \$180.50
		7796	Comp Cams dual spring for Edelbrock heads oe 1.645, id .871 Installed height 1.930 with 240lbs has a lift to .750 with 670 lbs. ..... Set \$305.50
		8799	Edelbrock valve spring for use with Edelbrock heads when using roller cams Seat pressure 145# at 1.900, open pressure 380 at 1.300, coil bind 1.130 max lift .720.... Set \$192.95

**Go to Show-Cars.com for updates and many more pictures**



# 507-233-1958 Fax 507-354-1959 1-24 Catalog 57

5716	Valve spring insert,.030. . . . .	Ea	\$1.50
5717	Valve spring insert,.060. . . . .	Ea	\$1.50
5726	409 truck exhaust valve, rotater delete spacer . . . . .	Set.	\$61.95
7398	Edelbrock valve spring seat locators for 409 aluminum heads . . . . .	Set	\$107.95
7402	348/409 spring locators for Edelbrock heads . . . . .	Set	\$64.95

## VALVE SPRING RETAINERS. . . . . 03.430

*Most heads and stock retainers are not good for more than .530 lift without machining valve guide boss. SC retainers (#3359B) are .300 tall and are good for .630 lift without machining..*

6094	348/409 Spring retainers for roller cams 10" . . . . .	Set	\$99.95
3357A	348 Retainer for Umbrella W/ID .875 7" . . . . .	Set	\$86.95
3359B	348/409 Retainer, high performance and low performance-will work with out stock umbrellas good for .630 lift cam with out machining 7" . . . . .	Set	\$86.95
3606	348/409 Retainer for umbrella W/ID .990,,7" . . . . .	Ea	\$4.25
3359A	348/409 Retainer for umbrella W/ID .990, 7" . . . . .	Set	\$86.95
3359C	348/409 Retainer W/ID .965. . . . .		\$86.95
6306	348/409 retainer for #6108 springs. . . . .	Set	\$86.95
7395	Edelbrock valve spring retainer for 409 aluminum heads . . . . .	Set	\$107.95
7797	Retainer (10*) for spring #7793 & 7795. . . . .	Set	\$49.95
7798	Titanium retainer (10*) for spring #7794 . . . . .	Set	
7799	Titanium retainer (10*) for spring #7796 . . . . .	Set	\$285.50

## VALVE LOCKS/KEEPERS . . . . . 03.440

*690 Heads have an installed height of 1.680. 583 heads have an installed height of 1.730.*

*You can use 3326SF forged keepers to increase installed height by .050 by using this keeper. On a 690 head you will have a 1.730 height*

3326	58-64 3/8 valve keepers for all applications 7* Ea	\$3.00
3326S	3/8 valve keepers for all applications 7*. . . . .	Set \$17.95
3326SF	3/8 forged valve keepers for all applications 7*, .050 offset to instal springs 1.730 . . . . .	Set \$29.95
6095	3/8 valve keepers for roller cams 32 pcs 10"*Set	\$38.95
7403	Valve keepers for 11/32 valves 7* . . . . .	Set \$23.95
7399	Edelbrock valve locks, 11/32 stem . . . . .	Set \$65.95
7404	Spring top retainer locks (10*) . . . . .	Set \$39.70
7405	Spring top retainer (7*) for 11/32 valves. . . . .	Set \$69.75
7406	Spring top retainer (10*) for 11/32 valves . . . . .	Set \$79.75

## TIMING SET . . . . . 03.450

*Manufactured by Elgin, SA Gear and Cloyes*

3346	348-409 chain & gear set, steel gears, O.E.M. Made in USA (Good) With 3 key ways . . . . .	Set	\$68.00
5343TR	348-409 True roller timing chain and gear set made in the USA (Better) . . . . .	Set	\$68.00
8354	348-409 D & P True roller timing chain and gear set, 3 key		

**All prices subject to change without notice. Any installed part is not returnable**

ways . . . . .	Set	\$66.50	
7765	Timing chain and gear set for BBC snout. . . . .	Set	\$79.99



**Show Cars Part #8351**

8351	348/409 Cloyes True roller timing chain and gear with 3 key ways . . . . .	Ea	\$78.00
6029	348-409 Cloyes True roller timing chain and gear Made in USA (Best chain you can buy for a 348/409) . . . . .	Set	\$192.00
6029-5	348-409 Cloyes True roller timing chain and gear Made in USA (Best chain you can buy for a 348/409) . . . . .	Set	\$207.00
8410	Pro Gear true roller timing chain and gear 3 keyways . . . . .	Set	\$112.95
8411	Pro Gear true roller timing chain and gear 9 keyways . . . . .	Set	\$181.90
8412	Pro Gear true roller timing chain and gear with Torrington bearing, 3 keyways . . . . .	Set	\$157.00
8413	Pro Gear true roller timing chain and gear with Torrington bearing, 9 keyways . . . . .	Set	\$228.50
6391	348/409 Oil slinger . . . . .	Ea	\$24.00
8155	348/409 Cloyes cam wear plate .031 . . . . .	Ea	\$16.95
7544	348/409 Cloyes thrust needle bearing wear plate .150 thick . . . . .	Ea	\$17.95
6080	58-65 Cam Correct timing chain tensionor Ea . . . . .		\$125.00

*For Bolts, Clips, and Screws please see group 25*

## ENGINE LUBE . . . . . 03.490

3967	Ultra slick engine assembly lube . . . . .	Ea	\$6.95
------	--	----	--------

## SMALL BLOCK ENGINE PARTS. . . 03.495

8764	58 up small block stock hydraulic camshaft. . . . .	Ea	\$69.00
3327	58 up small block stock hydraulic lifters . . . . .	Set	\$51.95

*More small block parts added regularly. Call for information.*

# Page 58 Show-Cars.com 1-24 Catalog



## ENGINE KITS ..... 03.990

SC Automotive offers top quality name brands at wholesale prices.

SC Automotive's Engine Kits are made from the highest quality parts from some of the most respected names in auto parts. You can be assured that the finest quality and workmanship goes into every kit. Just a sampling of the fine manufacturers whose names are on the parts we sell: Pistons-Ross(forged), Sealed Power, Speed Pro, Hastings, T.R.W., and Muskegon; Engine bearings-Clevite-77 and Michigans; Oil Pumps-Mellings, Elgin, and Dynagear; Timing Chain and Gears- SA Gear, Cloyes and Elgin; Gaskets-Fel-Pro, Best, Victor Reinz; Valves-S.I.; Camshafts-Isky, Elgin Comp Cams.Call one of our knowledgeable salespeople at 507-233-1958 for more details.

You can delete and add any part from the following kits. For pricing just add the price for the parts you added and subtract the price for the parts you deleted.

<b>348 LOW PERFORMANCE CAM KIT ..... 9125</b>	
0901 Hydraulic Cam .....	Ea \$299.00
3327 Hydraulic lifters .....	Set \$124.50
5343TR True Roller timing Set.....	Set \$68.00
<b>TOTAL .....</b>	<b>\$491.50</b>

## 348 HI PERFORMANCE HYDRAULIC CAM KIT ... 9126

Hydraulic Cam .....	Ea \$405.00
3327 Hydraulic lifters .....	Set \$124.50
5343TR True Roller timing Set.....	Set \$68.00
<b>Total .....</b>	<b>\$ 597.50</b>

## 348 HI PERFORMANCE SOLID CAM KIT ..... 9127

Solid Cam .....	Ea \$405.00
3328 Solid lifters .....	Set \$129.5
5343TR True Roller timing Set.....	Set \$68.00
<b>Total .....</b>	<b>\$602.50</b>

## 348 SOLID ROLLER CAM KIT..... 9128

Roller Cam .....	Ea \$669.00
6018 Roller lifters .....	Set \$847.00
5343TR True Roller timing Set.....	Set \$68.00
<b>Total .....</b>	<b>\$1584.00</b>

## 348 RE-RING KIT..... 9129

3340 Cast Rings .....	Set \$50.95
5343TR True Roller timing set.....	Set \$68.00
1085 Cam Bearings .....	Set \$45.00
6733 Main Bearings.....	Set \$209.00
3342A Rod Bearings.....	Set \$33.00
4033A Freeze Plugs .....	Set \$27.50
3344 FelProGasket set .....	Set \$159.00
<b>Total .....</b>	<b>\$592.45</b>

## 348 CAST SHORT RE-BUILD KIT..... 9130

3337 Cast Pistons.....	Set \$430.00
3340 Cast Rings.....	Set \$50.95
5343TR True Roller timing set.....	Set \$68.00
1085 Cam Bearings .....	Set \$45.00
6733 Main bearings .....	Set \$209.00
3342A Rod Bearings.....	Set \$33.00
4033A Freeze Plugs .....	Set \$27.50
3344 Fel Pro Gasket set.....	Set \$159.00
5930 Engine Re-build pak.....	Free
<b>Total .....</b>	<b>\$1022.45</b>

## 348 FORGED SHORT RE-BUILD KIT ..... 9131

8935 Forged Pistons.....	Set \$835.00
8162 Moly Rings .....	Set \$106.50
5343TR True Roller timing set.....	Set \$68.00
1085 Cam Bearings .....	Set \$45.00
6733 Main Bearings.....	Set \$209.00
3342A Rod Bearings.....	Set \$33.00
4033A Freeze Plugs .....	Set \$27.50
3344 Fel Pro Gasket set.....	Set \$159.00
5930 Engine Re-build pak.....	Free
<b>Total .....</b>	<b>\$1483.00</b>

## 348 CAST COMPLETE MASTER RE-BUILD KIT .. 9132

3337 Cast Pistons.....	Set \$430.00
3340 Cast Rings.....	Set \$50.95
5343TR True Roller timing set.....	Set \$68.00
1085 Cam Bearings .....	Set \$45.00
6733 Main Bearings.....	Set \$209.00
3342A Rod Bearings.....	Set \$33.00

Go to Show-Cars.com for updates and many more pictures

# 507-233-1958 Fax 507-354-1959 1-24 Catalog 59

4033A	Freeze Plugs	Set	\$27.50
0901	Hydraulic Cam	Ea	\$299.00
3327	Hydraulic lifters	Set	\$124.50
3345A	Standard Oil Pump	Ea	\$51.95
3211	Oil Pump Shaft	Ea	\$19.95
3345C	Oil Pump pick up tube	Ea	\$25.95
3344	Fel Pro Gasket set	Set	\$159.00
5930	Engine Re-build pak		Free
	Total		\$1543.80

## 348 FORGED COMPLETE MASTER RE-BUILD KIT 9133

8935	Forged Pistons	Set	\$835.00
8162	Moly Rings	Set	\$106.50
5343TR	True Roller timing set	Set	\$68.00
1085	Cam Bearings	Set	\$45.00
6733	Main Bearings	Set	\$209.00
3342A	Rod Bearings	Set	\$33.00
4033A	Freeze Plugs	Set	\$27.50
0901	Hydraulic Cam	Ea	\$299.00
3327	Hydraulic lifters	Set	\$124.50
3345A	Standard Oil Pump	Ea	\$51.95
3211	Oil Pump Shaft	Ea	\$19.95
3345C	Oil Pump pick up tube	Ea	\$25.95
3344	Fel Pro Gasket set	Set	\$159.00
5930	Engine Re-build pak		Free
	Total		\$2004.35

## 348 CAST COMPLETE MASTER PLUS RE-BUILD KIT 9134

3337	Cast Pistons	Set	\$430.00
3340	Cast Rings	Set	\$50.95
5343TR	True Roller timing set	Set	\$68.00
1085	Cam Bearings	Set	\$45.00
6733	Main Bearings	Set	\$209.00
3342A	Rod Bearings	Set	\$33.00
0901	Hydraulic Cam	Ea	\$299.00
3327	Hydraulic lifters	Set	\$124.50
Stainless	Steel Valves	Set	\$239.95
2298	5/16 Push Rods	Set	\$64.95
3345A	Standard Oil Pump	Ea	\$51.95
3211	Oil Pump Shaft	Ea	\$19.95
3345C	Oil Pump pick up tube	Ea	\$25.95
4033A	Freeze Plugs	Set	\$27.50
3344	Gasket set	Set	\$159.00
5930	Engine Re-build pak		Free
	Total		\$1848.70

## 348 FORGED COMPLETE MASTER PLUS RE-BUILD KIT 9135

8935	Forged Pistons	Set	\$835.00
8102	Rings 1-1/16	Set	\$119.50
5343TR	True Roller timing set	Set	\$68.00
1085	Cam Bearings	Set	\$45.00
6733	Main Bearings	Set	\$209.00
3342A	Rod Bearings	Set	\$33.00
0901	Hydraulic Cam	Ea	\$299.00
3327	Hydraulic lifters	Set	\$124.50

Stainless	Steel Valves	Set	\$239.95
2298	5/16 Push Rods	Set	\$64.95
3345A	Standard Oil Pump	Ea	\$51.95
3211	Oil Pump Shaft	Ea	\$19.95
3345C	Oil Pump pick up tube	Ea	\$25.95
4033A	Freeze Plugs	Set	\$27.50
3344	Fel Pro Gasket set	Set	\$159.00
5930	Engine Re-build pak		Free
	Total		\$2322.25

## 348 EAGLE STROKER ROTATING ASSEMBLY... 9136

6097	4" Eagle forged crank	Ea	\$1075.00
7815	Icon Stroker pistons	Set	\$835.00
8162	Moly Rings	Set	\$106.50
6733	Main Bearings	Set	\$209.00
3342A	Rod Bearings	Set	\$33.00
	Total		\$2258.50

## 348 SCAT STROKER ROTATING ASSEMBLY

8516P30	348 Scat complete internally balanced stroker rotating assembly. 10.8-1 forged pistons, 4" forged crank, I beam rods, rings, rod and main bearings	Set	\$2,698.00
8516P40	348 Scat complete internally balanced stroker rotating assembly. 10.8-1 forged pistons, 4" forged crank, I beam rods, rings, rod and main bearings	Set	\$2,698.00
8516P60	348 Scat complete internally balanced stroker rotating assembly. 10.8-1 forged pistons, 4" forged crank, I beam rods, rings, rod and main bearings	Set	\$2,698.00

## 348 FORGED STROKER COMPLETE MASTER PLUS RE-BUILD KIT 9137

6097	4" Eagle forged crank	Ea	\$1075.00
7815	Icon 4" Stroker Pistons	Set	\$835.00
8162	Moly Rings	Set	\$106.50
5343TR	True Roller timing set	Set	\$68.00
1085	Cam Bearings	Set	\$45.00
6733	Main Bearings	Set	\$209.00
3342A	Rod Bearings	Set	\$33.00
0901	Hydraulic Cam	Ea	\$299.00
3327	Hydraulic lifters	Set	\$124.50
Stainless	Steel Valves	Set	\$239.95
2298	5/16 Push Rods	Set	\$64.95
3345A	Standard Oil Pump	Ea	\$51.95
3211	Oil Pump Shaft	Ea	\$19.95
3345C	Oil Pump pick up tube	Ea	\$25.95
4033A	Freeze Plugs	Set	\$27.50
3344	Fel Pro Gasket set	Set	\$159.00
5930	Engine Re-build pak		Free
	Total		\$3384.25

## 409 LOW PERFORMANCE CAM KIT 9138

0901	Hydraulic Cam	Ea	\$299.00
3327	Hydraulic lifters	Set	\$124.50
5343TR	True Roller timing Set	Set	\$68.00
	Total		\$491.50

## 409 HI PERFORMANCE HYDRAULIC CAM KIT 9139

All prices subject to change without notice. Any installed part is not returnable

# Page 60 Show-Cars.com 1-24 Catalog

Hydraulic Cam	Ea	\$405.00
3327 Hydraulic lifters	Set	\$124.50
5343TR True Roller timing Set	Set	\$68.00
Total		\$597.50

## 409 HI PERFORMANCE SOLID CAM KIT 9140

Solid Cam	Ea	\$405.00
3328 Solid lifters	Set	\$129.50
5343TR True Roller timing Set	Set	\$68.00
Total		\$602.50

## 409 ROLLER CAM KIT 9141

Roller Cam	Ea	\$669.00
6018 Roller lifters	Set	\$847.00
5343TR True Roller timing Set	Set	\$68.00
Total		\$1584.00

## 409 RE-RING KIT 9142

3340A Cast Rings	Set	\$68.95
5343TR True Roller timing set	Set	\$68.00
1085 Cam Bearings	Set	\$45.00
6733 Main Bearings	Set	\$209.00
3342A Rod Bearings	Set	\$33.00
4033A Freeze Plugs	Set	\$27.50
3344 Fel pro Gasket set	Set	\$159.00
Total		\$610.45

## 409 CAST SHORT RE-BUILD KIT 9143

4996 Cast Pistons	Set	\$430.00
3340A Cast Rings	Set	\$68.95
5343TR True Roller timing set	Set	\$68.00
1085 Cam Bearings	Set	\$45.00
6733 Main Bearings	Set	\$209.00
3342A Rod Bearings	Set	\$33.00
4033A Freeze Plugs	Set	\$27.50
3344 Fel Pro Gasket set	Set	\$159.00
5930 Engine Re-build pak	Free	
Total		\$1040.45

## 409 CAST COMPLETE MASTER RE-BUILD KIT 9144

4996 Cast Pistons	Set	\$430.00
3340A Cast Rings	Set	\$68.95
5343TR True Roller timing set	Set	\$68.00
1085 Cam Bearings	Set	\$45.00
6733 Main Bearings	Set	\$209.00
3342A Rod Bearings	Set	\$33.00
0901 Hydraulic Cam	Ea	\$299.00
3327 Hydraulic lifters	Set	\$125.50
3345A Standard Oil Pump	Ea	\$51.95
3211 Oil Pump Shaft	Ea	\$19.95
3345B Oil Pump pick up tube	Ea	\$23.95
4033A Freeze Plugs	Set	\$27.50
3344 Fel Pro Gasket set	Set	\$159.00
5930 Engine Re-build pak	Free	
Total		\$1559.80

## 409 FORGED COMPLETE MASTER RE-BUILD KIT 9145

7816 Forged Pistons	Set	\$835.00
---------------------	-----	----------

7634 Moly Rings	Set	\$139.95
5343TR True Roller timing set	Set	\$68.00
1085 Cam Bearings	Set	\$45.00
6733 Main Bearings	Set	\$209.00
3342A Rod Bearings	Set	\$33.00
0901 Hydraulic Cam	Ea	\$299.00
3327 Hydraulic lifters	Set	\$124.50
3345A Standard Oil Pump	Ea	\$51.95
3211 Oil Pump Shaft	Ea	\$19.95
3345B Oil Pump pick up tube	Ea	\$23.95
4033A Freeze Plugs	Set	\$27.50
3344 Fel Pro Gasket set	Set	\$159.00
5930 Engine Re-build pak	Free	
Total		\$2035.80

## 409 CAST COMPLETE MASTER PLUS RE-BUILD KIT 9146

4996 Cast Pistons	Set	\$430.00
3340A Cast Rings	Set	\$68.95
5343TR True Roller timing set	Set	\$68.00
1085 Cam Bearings	Set	\$45.00
6733 Main Bearings	Set	\$209.00
3342A Rod Bearings	Set	\$33.00
0901 Hydraulic Cam	Ea	\$299.00
3327 Hydraulic lifters	Set	\$124.50
Stainless Steel Valves	Set	\$239.95
2298 5/16 Push Rods	Set	\$64.95
3345A Standard Oil Pump	Ea	\$51.95
3211 Oil Pump Shaft	Ea	\$19.95
3345B Oil Pump pick up tube	Ea	\$23.95
4033A Freeze Plugs	Set	\$27.50
3344 Fel Pro Gasket set	Set	\$159.00
5930 Engine Re-build pak	Free	
Total		\$1864.70

## 409 FORGED COMPLETE MASTER PLUS RE-BUILD KIT 9147

7816 Forged Pistons	Set	\$835.00
7634 Moly Rings	Set	\$139.95
5343TR True Roller timing set	Set	\$68.00
1085 Cam Bearings	Set	\$45.00
6733 Main Bearings	Set	\$209.00
3342A Rod Bearings	Set	\$33.00
0901 Hydraulic Cam	Ea	\$299.00
3327 Hydraulic lifters	Set	\$124.50
Stainless Steel Valves	Set	\$239.95
2298 5/16 Push Rods	Set	\$64.95
3345A Standard Oil Pump	Ea	\$51.95
3211 Oil Pump Shaft	Ea	\$19.95
3345B Oil Pump pick up tube	Ea	\$23.95
4033A Freeze Plugs	Set	\$27.50
3344 Fel Pro Gasket set	Set	\$159.00
5930 Engine Re-build pak	Free	
Total		\$2340.70

## 409 EAGLE STROKER ROTATING ASSEMBLY 9149

Go to Show-Cars.com for updates and many more pictures

# 507-233-1958 Fax 507-354-1959 1-24 Catalog 61

6097	4.00" Eagle forged crank	Ea	\$1075.00
7819	Icon 4" Stroker pistons	Set	\$835.00
7634	Moly Rings	Set	\$139.95
6733	Main Bearings	Set	\$209.00
3342A	Rod Bearings	Set	\$33.00
6820	Big block rods	Set	\$439.00
	Total		\$2730.95

## 409 SCAT STROKER ROTATING ASSEMBLY

8517P38	409 Scat complete internally balanced stroker rotating assembly. 4" forged crank, 11-1 forged pistons, I beam rods, rings, rod and main bearings	Set	\$2,698.00
8517P48	409 Scat complete internally balanced stroker rotating assembly. 4" forged crank, 11-1 forged pistons, I beam rods, rings, rod and main bearings	Set	\$2,698.00
8517P68	409 Scat complete internally balanced stroker rotating assembly. 4" forged crank, 11-1 forged pistons, I beam rods, rings, rod and main bearings	Set	\$2,698.00
8517P78	409 Scat complete internally balanced stroker rotating assembly. 4" forged crank, 11-1 forged pistons, I beam rods, rings, rod and main bearings	Set	\$2,698.00

## 409 FORGED STROKER COMPLETE MASTER PLUS

### RE-BUILD KIT..... 9150

6097	4.00" forged crank	Ea	\$1075.00
6820	Big block rods	Set	\$439.00
7819	Forged Pistons	Set	\$835.00
7634	Moly Rings	Set	\$139.95
5343TR	True Roller timing set	Set	\$68.00
1085	Cam Bearings	Set	\$45.00
6733	Main Bearings	Set	\$209.00
3342A	Rod Bearings	Set	\$33.00
0901	Hydraulic Cam	Ea	\$299.00
3327	Hydraulic lifters	Set	\$124.50
	Stainless Steel Valves	Set	\$239.95
2298	5/16 Push Rods	Set	\$64.95
3345A	Standard Oil Pump	Ea	\$51.95
3211	Oil Pump Shaft	Ea	\$19.95
3345B	Oil Pump pick up tube	Ea	\$23.95
4033A	Freeze Plugs	Set	\$27.50
3344	Fel Pro Gasket set	Set	\$159.00
5930	Engine Re-build pak	Free	
	Total		\$3854.70

5930	348/409 Engine rebuild Pak. Contains, plasti-guage, assembly lubricant, Bars Leak, Clevite rod bolt boots, torque table book & 43 page Engine rebuild booklet	Ea	\$19.95
------	---	----	---------

## MACHINE SHOP SERVICE ..... 49.100

### Block Work

99501	Hot tank block		\$123.64
99512	Crack check block		\$85.00
99530	Line bore block		\$463.64

99513	Line hone block		\$252.73
99500	Install cam bearings		\$140.00
99503	Bore block (8 holes)		\$698.16
99532	Hone Block		\$96.00
99504	Deck Block		\$252.73
99529	Index block	(Hr)	\$75.00
99535	Clearance Stroker block		\$400.00
99534	Pressure test block		\$130.00

### Head Work

99517	Hot tank heads	Pr	\$45.00
99518	Crack check heads	Pr	\$35.00
99507	Valve job on a pair of heads		\$360.00
99509	Install 16 valve guides		\$175.00
99533	Cut valve bowls for larger valves		\$240.00
99510	Machine cylinder heads	Pr	\$140.00
99515	Machine & tap rocker arm stud bosses	Pr	\$400.00
99516	Machine upper valve guide bosses for seal		\$75.00
99528	Re-size 16 stock valve guides		\$96.00
99531	Weld stud bosses		\$18.00

### Miscellaneous

99502	Shop Supplies and Hazard waste charge		\$53.45
99505	Recondition rods	Ea	\$19.75
99506	Grind Crankshaft		\$230.00
99511	Polish crankshaft		\$85.00
99514	Fly cut pistons		\$160.00
99521	Assemble and run		\$3000.00
99523	Pin fit rods	(8)	\$69.00
99524	Balance rotating assembly		\$325.00
99525	File fit rings		\$135.00
99526	Cut main bolts		\$40.00
99527	Index crankshaft	(Hr)	\$65.00
99539	Clean crankshaft		\$45.00
99540	Crack check crank		\$35.00

**All prices subject to change without notice. Any installed part is not returnable**

## Brakes . . . . . 04

### DISK BRAKE CONVERSION KITS . 04.060

6614	58 Front power disk brake conversion kit, complete ..... Kit	\$859.00
6072	58 Front disk brake conversion kit, lower . . . . Kit	\$675.00
6076	59-64 Manual disk brake set w/SS Lines . . . . Set	\$529.00
9073	59-64 Power front disk brake conversion kit for OEM 14 “ wheels with stainless steel lines . . . . . Kit	\$859.00
8965	Vacuum pump kit (all the necessary hardware to complete the installation. . . . . Kit	\$309.99
7503	59-64 Power front disk brake conversion kit wit tinned steel lines . . . . . Kit	\$759.00
7212	58-64 Rear disk brake conversion kit (Cross drilled and slot- ted) . . . . . Kit	\$759.00
7436	59-64 9” Ford OEM type rear disk brakes, with park brakes, less cables . . . . . Kit	\$595.00
7437	59-64 9” Ford OEM type cross drilled rear disk brakes ..... Kit	\$595.00
7438	59-64 9” Ford rear brake drums . . . . . Kit	\$595.00
7439	59-64 Ford Willwood front disk brakes . . . . . Kit	\$950.00
7440	59-64 Ford Willwood rear disk brakes . . . . . Kit	\$1,050.00

### BRAKE HOSE . . . . . 04.070



Show Cars Part #2257

2257	58-64 Front front brake hose (requires 2) . . . . Ea	\$12.00
2258	58-65 Rear brake hose . . . . . Ea	\$12.00
5924	58-Up Brake hose gasket, copper . . . . . Pr	\$3.00
8932	58-64 Brake hose kit with brass blocks and copper gaskets ..... Kit	\$98.00

### PARKING BRAKES . . . . . 04.090

5623	58-59 Park brake lever . . . . . Ea	\$36.45
5627	58-64 Park brake cable equalizer . . . . . Ea	\$31.25
5626	58-64 Park brake cable adjusting bolt . . . . . Ea	\$25.00
5631	58-60 Park brake cable swivel . . . . . Ea	\$27.75
6069	60-64 Brake Cable Roller . . . . . Pr	\$19.50
6070	58-59 Brake Cable Roller Bolts . . . . . Pr	\$12.99
5634	58-59 Cable swivel pin . . . . . Ea	\$3.75

1074	58-64 Parking brake cable connector . . . . . Pr	\$24.52
3275	58-64 Parking brake cable grommet . . . . . Ea	\$12.50
5624	60 Park brake lever . . . . . Ea	\$41.78
5629	60 Park brake lever support rod . . . . . Ea	\$21.78
5632	60 Park brake cable swivel . . . . . Ea	\$27.75
6580	60-64 Brake cable roller bolts . . . . . Pr	\$7.00
5625	61-64 Park brake lever . . . . . Ea	\$48.75
5633	61-64 Park brake cable swivel . . . . . Ea	\$31.97
5630	61-64 Park brake lever support rod . . . . . Ea	\$40.78
6580	60-64 Park brake cable pulley bolt kit, 8 pcs. . . . Kit	\$7.00
8545	63 Full size parking brake assembly . . . . . Ea	\$89.00
8546	64 Full size parking brake assembly . . . . . Ea	\$94.00

### BRAKE CABLES . . . . . 04.095

3194	55-64 Brake cable boot rear . . . . . Pr	\$10.00
3130	58-64 Front . . . . . Ea	\$22.00
3131	58-64 Center . . . . . Ea	\$24.50
3132	58-64 Rear (2 required) . . . . . Ea	\$24.50



Show Cars Part #7083

7083	58-64 OEM rear brake cables w/wire coating . Pr	\$75.00
------	---	---------

### POWER BRAKE . . . . . 04.110



Show Cars Part #7312

7312	58-64 7” Power brake booster/dual master cylinder for use
------	---

Go to Show-Cars.com for updates and many more pictures

# 507-233-1958 Fax 507-354-1959 1-24 Catalog 63

	with drum brakes. . . . .	Ea	\$172.50
8479	Angled brake booster mounting brackets, moves booster up, zinc plated. . . . .	Ea	\$13.50
8480	Angled brake booster mounting brackets, moves booster up, chrome plated . . . . .	Ea	\$15.00
9033	Mounting bracket for 7 inch dual brake booster . . . . .	Ea	\$37.50
9069	55-64 Chevy power 1 booster bracket full size cars. Moves booster upward up to two inches. . . . .	Ea	\$79.00
8533	New 9" Delco style brake booster single diaphragm zink plated . . . . .	Ea	\$57.00
8534	New 7" brake booster single diaphragm zink plated . . . . .	Ea	\$62.50
8532	7 inch dual diaphragm booster and master cylinder kit. (Disk/Disk) . . . . .	Kit	\$206.00
8536	7 inch dual diaphragm booster and master cylinder kit. (Disk/Drum) . . . . .	Kit	\$199.00
2115	58 Hose bracket (348). . . . .	Ea	\$17.25
8509	61-62 Power brake vacuum fitting back of carb . . . . .	Ea	\$9.95
8510	61-62 Power brake vacuum fitting back of carb with vacuum advance port . . . . .	Ea	\$14.95
4729	58-63 Power brake vacuum hose clamp wire spring style . . . . .	Ea	\$2.20
2114	58-64 Hose bracket (small block). . . . .	Ea	\$17.25
1194	58-up power brake vacuum hose 21 inch (58-59 requires 2) . . . . .	Ea	\$12.05
3219A	60-65 Power brake check valves fits 7/8" grommet . . . . .	Ea	\$29.95
3219B	58-up 348 Power Brake Check Valve. . . . .	Ea	\$39.00
2116	59-61 Hose bracket (348-409) . . . . .	Ea	\$17.25
3219	59-up Power Brake Check Valve, fits 5/8 grommet . . . . .	Ea	\$28.55
2117	62-65 Hose bracket (409) . . . . .	Ea	\$17.25
4730	64-up Power brake vacuum hose clamp . . . . .	Ea	\$2.30
7347	64-65 Vacuum fitting, power brake, fits intake. . . . .	Ea	\$16.80
7348	64-65 Vacuum fitting, power brake, air conditioning, fits in intake . . . . .	Ea	\$21.60
9031	7 Inch dual power brake booster with mounting bracket . . . . .	Ea	\$106.50
9032	Dual master cylinder for drum brakes (New) . . . . .	Ea	\$59.00
9034	7 inch dual brake booster . . . . .	Ea	\$80.00

## MASTER CYLINDER (PARTS). . . . 04.150

1030A	58-64 Master cylinder rod dust boot (manual brakes) . . . . .	Ea	\$8.80
3145	59-64 Master cylinder firewall boot (power brakes) . . . . .	Ea	\$9.00
3215	58-64 Nuts & washers with automatic (4 Pieces) . . . . .	Set	\$1.65
5702	62-Up Master cylinder to firewall gasket . . . . .	Ea	\$5.72
5925	58-Up Master cylinder push rod clip . . . . .	Ea	\$5.00
6739	58-61 Master cylinder ca9069p with gasket. . . . .	Ea	\$26.90
8755	62-64 Master cylinder 7/8" re-build kit. . . . .	Ea	\$31.00

8756	62-63 Master cylinder cap kit . . . . .	Ea	\$40.00
7475	64-65 Master cylinder cap with gasket . . . . .	Ea	\$19.99
7476	64-65 Master cylinder cap rubber gasket . . . . .	Ea	\$9.99
7477	64-65 Maser cylinder, cap wire bail . . . . .	Ea	\$9.99

## MASTER CYLINDER . . . . . 04.151



## Show Cars Part #6533

6536	62-63 New master cylinder, reproduction. . . . .	Ea	\$175.00
Note: The following are replacement parts and may not look like the originals.			
6532	59-61 Master cylinder - new. . . . .	Ea	\$105.00
6535	59-61 Master cylinder - rebuilt - no core needed . . . . .	Ea	\$89.99
9032	Dual master cylinder for drum brakes (New) . . . . .	Ea	\$56.00
6533	62-64 Master cylinder - new, 1" bore without metallic brakes . . . . .	Ea	\$87.99
6534	62-64 Master cylinder w/ metallic brakes 7/8" bore - new . . . . .	Ea	\$105.00
6537	62-64 Master cylinder w/ metallic brakes 7/8" bore, rebuilt, no core needed . . . . .	Ea	\$69.95
6707	58-64 Dual master cylinder used with disk brakes. . . . .	Ea	\$84.50
8473	Proportion valve bottom mount bracket, zinc plated . . . . .	Ea	\$8.50
8474	Proportion vale bottom mount bracket, chrome plated. . . . .	Ea	\$12.50
8475	Proportion valve mount bracket left side zinc plated. . . . .	Ea	\$6.50
8476	Proportion valve mount bracket left side chrome plated. . . . .	Ea	\$8.50
8481	Proportion valve non adjustable, chrome, (disk/drum) . . . . .	Ea	\$58.00
8482	Proportion valve non adjustable, chrome, (disk/disk) . . . . .	Ea	\$68.00
8483	Proportion valve adjustable, chrome (disk/disk and drum/		

**All prices subject to change without notice. Any installed part is not returnable**

# Page 64 Show-Cars.com 1-24 Catalog

9035	drum) . . . . . Ea	\$50.00
	Proportion valve non adjustable, brass disk/disk . . . . . Ea	\$68.00
9036	Proportion valve non adjustable, brass disk/drum . . . . . Ea	\$58.00

## MASTER CYLINDER BRAKE LINES 04.170

3957	58 Power steel . . . . . Ea	\$18.10
4214	58 Power Stainless steel . . . . . Ea	\$31.92
3958	58 Standard steel . . . . . Ea	\$18.10
4215	58 Standard Stainless steel . . . . . Ea	\$31.92
3959	59-60 Power steel . . . . . Ea	\$18.10
4216	59-60 Power Stainless steel . . . . . Ea	\$31.92
3960	59-60 Standard steel . . . . . Ea	\$18.10
4217	59-60 Standard Stainless steel . . . . . Ea	\$31.92
3961	61-64 Power steel . . . . . Ea	\$18.10
4218	61-64 Power Stainless steel . . . . . Ea	\$31.92
3962	61-64 Standard steel . . . . . Ea	\$18.10
4219	61-64 Standard Stainless steel . . . . . Ea	\$31.92

8477	Brake line master cylinder to proportion valve 1/2 to 1/2 and 7/16 to 9/16, zinc plated 2 pcs . . . . . Set	\$10.00
8478	Brake line master cylinder to proportion valve 1/2 to 1/2 and 7/16 to 9/16, chrome plated 2 pcs . . . . . Set	\$12.50

## BRAKE LINES (STEEL) . . . . . 04.170

4705	58-64 Front center . . . . . Ea	\$19.14
4706	58-64 Front driver . . . . . Ea	\$9.99
4707	58-64 Front passenger side . . . . . Ea	\$9.99
4803	58-60 Center front to rear steel . . . . . Ea.	\$38.50
4704	61-64 Center front to rear . . . . . Ea	\$38.50
4700	58 Rear driver . . . . . Ea	\$16.29
4701	58 Rear passenger . . . . . Ea	\$16.29
4702	59-64 Rear driver . . . . . Ea	\$16.29
4703	59-64 Rear passenger . . . . . Ea	\$16.29

1027	58-64 Gas line brake clips to frame GM replacement (6) . . . . . Set	\$7.00
------	--	--------

## BRAKE LINES (STAINLESS STEEL) 04.170

4713	58-64 Front center . . . . . Ea	\$28.44
4714	58-64 Front driver . . . . . Ea	\$15.43
4715	58-64 Front passenger . . . . . Ea	\$15.43
4802	58-60 Center front to rear stainless steel . . . . . Ea.	\$70.00
4712	61-64 Center front to rear brake line . . . . . Ea	\$60.50
4708	58 Rear driver . . . . . Ea	\$28.44
8995	58 Rear passenger for replacement wheel cylinder stainless steel . . . . . Ea	\$26.00
8021	58 Rear passenger for replacement wheel cylinder, tinned	

4709	steel . . . . . Ea	\$16.29
4710	58 Rear passenger stainless steel . . . . . Ea	\$28.44
4711	59-64 Rear driver . . . . . Ea	\$28.44
4711	59-64 Rear passenger . . . . . Ea	\$28.44
1027	58-64 Gas line brake clips to frame GM replacement (6) . . . . . Set	\$13.19

## BRAKE LINE SETS (STEEL) . . . . . 04.180

4716	58 Standard brakes . . . . . Set	\$104.50
4717	58 Power brakes . . . . . Set	\$104.50
4718	59-60 Standard brakes . . . . . Set	\$104.50
4719	59-60 Power brakes . . . . . Set	\$104.50
4720	61-64 Standard brakes . . . . . Set	\$104.50
4721	61-64 Power brakes . . . . . Set	\$104.50

## BRAKE LINE SETS (STAINLESS) . . 04.180

4722	58 Standard brakes . . . . . Set	\$165.00
4723	58 Power brakes . . . . . Set	\$165.00
4724	59-60 Standard brakes . . . . . Set	\$165.00
4725	59-60 Power brakes . . . . . Set	\$165.00
4726	61-64 Standard brakes . . . . . Set	\$165.00
4727	61-64 Power brakes . . . . . Set	\$165.00

## BRAKES (MISC) . . . . . 04.190



Show Cars Part #7537

7537	58-64 Brake line fitting, front driver . . . . . Ea	\$12.00
7538	58-64 Brake line fitting, front passenger . . . . . Ea	\$12.00

Go to Show-Cars.com for updates and many more pictures



# 507-233-1958 Fax 507-354-1959 1-24 Catalog 65



## Show Cars Part #7695

7695 58-64 Rear brake line block . . . . . Ea \$22.50



## Show Cars Part #5436

5436 55-64 front brake clips, line to frame . . . . . Ea \$7.00  
 4254 58-64 Rear parking brake cable clamps to control arm  
 . . . . . Set(2) \$8.47  
 4254A 58-64 Brake hose and fitting to frame clip . . . .  
 . . . . . Ea \$3.33  
 4254B 58-64 Parking brake cable to frame clip . . . . . Ea \$6.00  
 3352 58-64 Brake drum spring . . . . . Ea \$14.70  
 1027 Brake line side clips ro frame set of 6 . . . . . Set \$7.00  
 1029E 58-64 Silicone brake fluid . . . . . Ea \$24.99  
 5422 Emergency brake bracket spring . . . . . Ea \$4.68

## BRAKE SHOES . . . . . 04.210

6721 59-64 Front brake shoes . . . . . Set \$69.95  
 6722 59-64 Rear brake shoes . . . . . Set \$37.95

## WHEEL CYLINDER . . . . . 04.230

5734 58-64 Rear driver or passenger and 58 rear driver wheel  
 cylinder (Driver only on 58) . . . . . Ea \$18.95  
 5731 58 Rear passenger cylinder . . . . . Ea \$18.95  
 5728 58 Front driver cylinder . . . . . Ea \$39.95  
 5729 58 Front passenger cylinder . . . . . Ea \$39.95  
 5732 59-64 Front driver cylinder . . . . . Ea \$33.00  
 5733 59-64 Front passenger cylinder . . . . . Ea \$29.95  
 9181 47-70 Wheel cylinder push pins. Also fits 50-70 Cadillac and  
 70-90 GMC truck . . . . . Pr \$10.00

## BRAKE HARDWARE . . . . . 04.300

6499 58 Front brake hardware kit, original . . . . . Set \$34.00  
 6500 58 Rear brake hardware kit, original . . . . . Set \$34.00  
 6501 58 Front brake hardware kit, convert to self-adjusting brakes  
 . . . . . Set \$50.00  
 6502 58 Rear brake hardware kit, convert to self-adjusting brakes

. . . . . Set \$52.00  
 6503 59-62 Front brake hardware kit, original . . . . . Set \$34.00  
 6504 59-62 Rear brake hardware kit, original . . . . . Set \$34.00  
 6505 63-70 Front brake hardware kit . . . . . Set \$50.00  
 6506 63-70 Rear brake hardware kit . . . . . Set \$50.00  
 7176 51-58 Front & rear brake drum(GM #3985944)  
 . . . . . Ea \$69.95  
 7177 59-70 Rear brake drum(GM #3985944) . . . . . Ea \$69.95  
 7450 59-64 Front brake drum, standard grade 12.52"(GM  
 #3872326) . . . . . Ea \$83.95

**All prices subject to change without notice. Any installed part is not returnable**

# Clutch & Transmission . . . . . 05

## BELL CRANK (Z BAR) . . . . . 05.010

5315	58 All 3749637 . . . . .	Ea	\$107.69
5317	59 All 3756928 . . . . .	Ea	\$107.69
5318	60-61 All 3777429 . . . . .	Ea	\$97.90



Show Cars Part #4289

4289	62-64 409 3846883 . . . . .	Ea	\$97.90
5321	62-64 Small block 3846881 . . . . .	Ea	\$97.90

## BELL CRANK (Z BAR) SUPPORT . 05.010

5417	58-59 All manual transmission, welds to frame	Ea	\$30.20
3890	60-64 All manual transmission, welds to frame	Ea	\$30.20

## FLYWHEEL/FLEXPLATE DUST COVERS . 05.050

1057	58-63 Front flywheel dust cover 3 & 4 speed . .	Ea	\$25.40
1058	58-63 Lower flywheel dust cover 3 & 4 speed .	Ea	\$57.81
5778	58-63 Upper flywheel dust cover 6 cyl . . . . .	Ea	\$22.00

1059A	64 up Flywheel dust cover 3 & 4 speed . . . . .	Ea	\$48.00
5707	64 up Flywheel dust cover small block. . . . .	Ea	\$21.90
1059	63-65 Powerglide flexplate dust cover with 409	Ea	\$150.00
9200	Turbo 350, 400 and 700 R4 flexplate dust cover . . . . .	Ea	\$29.99

## BELL HOUSING . . . . . 05.080

6460	58-64 Lakewood Bell Housing for all 3 & 4 speed transmissions. . . . .	Ea	\$489.50
8774	Adjustable dowel pins for Lakewood bell housing . . . . .	Set	\$25.00



Show Cars Part #7349

7349	58-64 GM style cast aluminum bell housing (3899621) Made in USA	Ea	\$236.00
8338	58-59 Original bell housing bolts . . . . .	Set	\$14.00
8339	60-62 Original bell housing bolts . . . . .	Set	\$14.00
3191	58-64 Clutch fork pivot stud in bell housing . . . . .	Ea	\$16.50
6916	Adjustable clutch fork pivot stud in bell housing . . . . .	Ea	\$52.00

## CLUTCH LINKAGE HARDWARE . . 05.090

5616	58 Z bar to pedal push rod bolt OEM Type . . .	Ea	\$12.05
5617	58 Z bar to push rod bushing OEM Type . . . . .	Ea	\$24.00
7073	58 Upper clutch return spring adjuster . . . . .	Ea	\$43.45
3200	57-61 Small block clutch fork push rod swivel for original clutch fork push rod. Threaded 3/8 x 32. . . . .	Ea	\$32.00
5294	57-63 Clutch fork push rod swivel, not threaded. For 57-61 small block clutch fork push rod use with (2) 3/8 x 24 fine thread jam nuts, our #8472. For all 62-63 clutch fork push rods use with (2) 3/8 course thread jam nuts, our # 5293 Also for 62-63 clutch pedal push rod, use with 2 5293 jam nuts . . . . .	Ea	\$28.00
5293	3/8 Coarse Jam Nut (use with 5294). . . . .	Ea	\$1.10
3201	57-61 Clutch rod pin. . . . .	Ea	\$7.50
5618	58 -Up Pedal clutch retainer clip . . . . .	Ea	\$9.00
5619	58 - Up Clutch & brake pedal bushing . . . . .	Ea	\$6.60
5295	58-Up Clutch linkage rod clip. . . . .	Ea	\$3.48
7072	58-60 Upper clutch return spring retainer. . . . .	Ea	\$13.20

Go to Show-Cars.com for updates and many more pictures



**Show Cars Part #5610**

- 5610 59-61 348/409 Clutch fork push rod swivel 3/8 x 24 thread. Cannot be used with original clutch fork push rods. . . . . Ea \$29.04
- 5611 59-61 Clutch pedal push rod to Z bar clip . . . . . Ea \$4.24
- 7025 60 Clutch pedal bolt on bracket . . . . . Ea \$33.00



**Show Cars Part #4270**

- 4270 62-63 clutch fork swivel to push rod . . . . . Ea \$29.04
- 5320 61 Clutch fork push rod pin . . . . . Ea \$29.04
- 3191 58-64 Clutch fork pivot stud in bell housing . . Ea \$15.50
- 6916 Adjustable clutch fork pivot stud in bell housing . . . . . Ea \$29.95



**Show Cars Part #1061**

- 1061 58-64 Rebuild kit (Includes pivot ball studs, seals, retainers & clips) . . . . . Set \$44.95
- 7485 58-64 Bell crank block ball/stud . . . . . Ea \$22.54
- 7792 58-64 Bell crank frame ball/stud . . . . . Ea \$21.73

**CLUTCH LINKAGE SPRING . . . . . 05.090**

- 3202 57-61 Clutch rod spring lower . . . . . Ea \$17.03

- 6691 58-60 Clutch pedal return spring under dash . . Ea \$20.00
- 6692 58-60 Clutch pedal return spring to lever link . Ea \$9.90
- 1061A 58-64 Throw out bearing retainer spring to clutch fork . . . . . Ea \$23.00
- 1080 62-65 Pullback spring, z-bar to body . . . . . Ea \$14.25
- 1081 62-65 Clutch linkage spring, lower z-bar to fork . . . . . Ea \$13.15

**CLUTCH RELEASE (THROWOUT) BEARING . . . . . 05.090**

- 4848 56-70 Long clutch release bearing with diaphragm clutch-straight fingers. . . . . Ea \$34.95
- 4849 56-70 Short clutch release bearing with coil spring clutch and 64 & up diaphragm clutch with bent fingers. . . . . Ea \$34.95
- 7752 Center Force throw-out bearing . . . . . Ea \$74.00

**CLUTCH FORK BOOT . . . . . 05.090**

- 1084A 57-60 Leather clutch fork boot 2 x 4 1/2 . . . . . Ea \$29.75
- 1084B 58-60 Rubber clutch fork boot 2 x 4 1/2 . . . . . Ea \$29.75
- 4208 61-63 348-409 clutch fork boot (fits bell housing with 2 1/2 inch x 5 inch opening) . . . . . Ea \$55.50
- 1084 62-up clutch fork boot (all except 62-63 409) also fits 64-65 409 (fits bell housing with 2 1/2 inch x 3 inch opening) . . . . . Ea \$13.80
- 6798 Clutch fork boot for Lakewood bell housing. . . Ea \$39.50

**CLUTCH FORK . . . . . 05.090**

- 3574 58-60 Clutch fork, all . . . . . Ea \$108.00
- 7601 61-63 Clutch fork (61-62 all and 63 409) used with bell housings 552 & 553 . . . . . Ea \$114.95
- 4815 63-72 Clutch fork All except 63 - 409 . . . . . Ea \$50.00
- 6827 Clutch fork change over. 64 & newer bell housing used with 63 & older linkage. . . . . Ea \$99.99
- 4850 64-69 Corvette. Will fit 64 and up bell housing. Use 58-63 linkage for 58-63 full size cars. Use 6827 . . . . .

**CLUTCH PEDAL PUSH ROD . . . . . 05.090**

- 5620 58 Clutch pedal push rod through firewall . . . . Ea \$72.60
- 5621 59 Clutch pedal push rod through firewall . . . . Ea \$72.60
- 5622 60 Clutch pedal push rod through firewall . . . . Ea \$72.60
- 5279A 61 Clutch pedal push rod through firewall . . . . Ea \$78.65
- 5279 62-64 Clutch pedal push rod through firewall . Ea \$90.75
- 3200 57-61 Lower clutch rod adjusting swivel (Threaded) . . . . . Ea \$32.00
- 5294 62-64 Pedal push rod swivel (not threaded) . . . Ea \$28.00
- 5293 3/8 Coarse Jam Nut (use with 5294) . . . . . Ea \$1.10

**CLUTCH ROD FIREWALL SEAL . . 05.090**

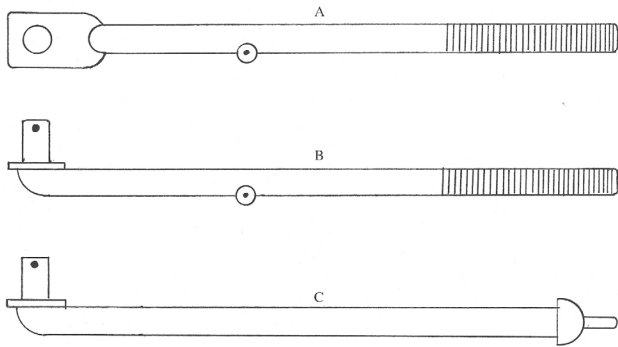
- 5782 58 Firewall clutch rod felt seal . . . . . Ea \$5.00
- 5943 59-60 Clutch rod to firewall seal. . . . . Ea \$44.77
- 5640 61 Clutch rod to firewall seal . . . . . Ea \$40.26

*See also steering column seals group 10.050*

**All prices subject to change without notice. Any installed part is not returnable**

# Page 68 Show-Cars.com 1-24 Catalog

Group # 5.090



## CLUTCH FORK PUSH ROD . . . . . 05.090

- 5604 58-60 Small block clutch fork push rod. Also 58 348. OAL 12-3/4. Flat tab with hole on clutch fork end, 3/8 x 24 threads on Z bar end. Type A. . . . . Ea \$43.95
- 5605 59-60 348/409 clutch fork push rod. OAL 10-7/16. Flat tab with hole on clutch fork end, 3/8 x 24 threads on Z bar end. Must be used with #5610 swivel. Type A. . . . . Ea \$43.95
- 8472 3/8x24 jam nut used on 5604 and 5605 with 5294. . . . . Ea \$1.10
- 5319 61 348/409 clutch fork push rod. OAL 10-7/16. 90\* bent pin on clutch fork end, 3/8 x 24 threads on Z bar end. Must be used with #5610 swivel. Type B. . . . . Ea \$64.35
- 5608 61 Small block clutch fork push rod. OAL 12-3/4. 90\* bent pin on clutch fork end, 3/8 x 24 threads on Z bar end. Type B . . . . . Ea \$64.35
- 4292 62 all and 63 409 clutch fork push rod. OAL 9-3/4. Ball with pin on clutch fork end, 90\* bent pin on Z bar end. Type C . . . . . Ea \$64.89
- 5606 63 Small block and 64 all clutch fork push rod. OAL 10-1/8. Ball with pin on clutch fork end, 90\* bent pin on Z bar end. Type C . . . . . Ea \$65.56
- 8858 Adjustable clutch for push rod Ball with pin on clutch fork end, 90\* bent pin on Z bar end. Type C (Adjusts approximately 8 1/4 to 10 1/4 . . . . . Ea \$96.99

## FOUR SPEED BACKUP . . . . . 05.150

- 1062 58-62 Back-up light switch with manual transmission . . . . . Ea \$64.00
- 1062A 63 Back-up light switch with manual transmission . . . . . Ea \$64.00
- 1062B 64 Back-up light switch with manual transmission . . . . . Ea \$64.00
- 5350 58-70 Backup switch shield. . . . . Ea \$16.90
- 3197 58-65 4 speed wire harness clamp, also 63-65 409 return line clamp rear of engine . . . . . Ea \$6.05
- 1179 58-63 Bracket for T-10 . . . . . Ea \$36.30
- 1180 64-68 Bracket for Muncie. . . . . Ea \$26.62

- 1183 58-64 Bracket screws . . . . . Set \$1.10
- 1181 58-63 Linkage rod with clips . . . . . Ea \$8.99
- 6624 63-up 4 speed backup linkage rod for Muncie Trans with clips . . . . . Ea \$8.71
- 1182 58-68 Linkage rod clips (2). . . . . Set \$1.82
- 1177 58 Dash Wire Harness to Back-up switch. . . . . Ea \$29.00
- 1177A 59-60 Dash Wire Harness to Back-up switch . . . . . Ea \$32.00
- 1177B 61-62 Dash Wire Harness to Back-up switch . . . . . Ea \$29.00
- 1177C 63 Dash Wire Harness to Back-up switch. . . . . Ea \$33.00
- 1177D 64 Dash Wire Harness to Back-up switch. . . . . Ea \$32.00

## TRANSMISSION MOUNTS . . . . . 05.190

- 1196 All automatic & manual mounts, rubber, except cast iron power glide . . . . . Ea \$15.20
- 7123 All automatic & manual mounts, Polyurathane, except cast iron power glide . . . . . Ea \$49.95
- 1196S All automatic & manual mounts, solid, except cast iron . . . . . Ea \$29.50
- 1196A Transmission mount, rubber, cast iron power glide . . . . . Ea \$84.45
- 1196AS Transmission mount, solid, cast iron powerglide . . . . . Ea \$33.00
- 5290 Transmission mount spacer. . . . . Ea \$2.73
- 5291 Transmission mount shim, pack of 3 . . . . . Ea \$11.50
- 7077A 58 Transmission cross-member for powerglide, turboglide, 3 speed, 4 speed & turbo 350. . . . . Ea \$129.00
- 7662 59-64 Transmission cross-member for powerglide, turboglide, 3 speed, 4 speed & turbo 350 . . . . . Ea \$87.99
- 7077 58 Transmission cross-member for turbo 400 . . . . . Ea \$129.00
- 7078 58 Transmission cross-member for 700 R4 . . . . . Ea \$129.00
- 6675 59-64 Transmission cross-member for Turbo 400 . . . . . Ea \$129.00
- 6676 59-64 Transmission cross-member for 700R4 . . . . . Ea \$129.00

## CLUTCH AND FLYWHEEL . . . . . 05.230

- 2058 348/409 Flywheel with manual transmission, fits 11 & 10.5 in clutch, 168 teeth, 14 3/16" O.D.(29 lbs). . . . . Ea \$219.90
- 8860 348/409 Aluminum flywheel with manual transmission fits 11 and 10.5 in clutch, 168 teeth 14-3/16 O.D. (16 lbs) . . . . . Ea \$369.00
- 2059 348/409 58-64 Ring gear (manual transmission), 168 teeth 14 3/16" O.D . . . . . Ea \$28.95
- 3882 348/409 Flex plate, powerglide, turbo 350, turbo 400, 700R4, 168 teeth . . . . . Ea \$79.80
- 6608 348/409 12" clutch kit 10 spline . . . . . Kit \$195.00
- 5941 58-72 10 1/2" OEM type clutch kit, 11-5/8" bolt pattern . . . . . Ea \$159.00
- 8851 58-72 10 1/2" OEM type clutch kit, 11-5/8" bolt pattern 26 spline. . . . . Kit \$179.00
- 5942 58-72 11" OEM type clutch kit, 12 9/16" bolt pattern . . . . . Kit \$159.00

Go to Show-Cars.com for updates and many more pictures

# 507-233-1958 Fax 507-354-1959 1-24 Catalog 69

6465	58-64 11" Center Force clutch, 10 spline . . . . .	Kit	\$469.00
6464	58-64 10.5" Center Force clutch, 10 spline . . .	Kit	\$479.00
6463	58-64 11" Center Force clutch, 26 spline . . . . .	Kit	\$429.00
6462	58-64 10.5" Center Force clutch, 26 spline . . .	Kit	\$449.00

6293	Flex plate shim spacer .072" . . . . .	Ea	\$8.80
------	--	----	--------

## SPEEDOMETER GEAR . . . . . 05.310

6508	58-64 Transmission speedometer gear holder .	Ea	\$15.95
4852	58 & up speedometer gear retainer (automatic transmission)	Ea	\$3.04
8200	58-64 Chevrolet speedometer gears . . . . .	Set	\$90.00
3282	58-64 Gear 18 teeth (brown) . . . . .	Ea	\$15.00
3283	58-64 Gear 19 teeth (natural) . . . . .	Ea	\$15.00
3281	58-64 Gear 20 teeth (blue) . . . . .	Ea	\$15.00
3280	58-64 Gear 21 teeth (red) . . . . .	Ea	\$15.00
3284	58-64 Gear 22 teeth (green) . . . . .	Ea	\$15.00
3285	58-64 Gear 24 teeth (yellow) . . . . .	Ea	\$19.95
3287	58-64 Gear 23 teeth (black) . . . . .	Ea	\$15.00

## SPEEDOMETER CABLE AND HOUSING . . 05.350

3647	Speedo cable and housing- 63" long (this is the most common one for most 4 speed trans) . . . . .	Set	\$21.95
7062	Speedo cable and housing- 70-71" long . . . . .	Set	\$24.95
2118	Speedo cable and housing 73" long . . . . .	Set	\$95.00
7380	Speedo cable and plastic housing, 83" . . . . .	Set	\$21.95
7381	Speedo cable core kit . . . . .	Kit	\$6.16
7924	Speedo cable lube (4 gram tube . . . . .	Ea	\$8.50

## TRANSMISSION . . . . . 05.380

6461	58-64 Richmond Gear Super T-10 4 speed transmission, new with 264 1st gear . . . . .	Ea	\$2450.00
8572	Street Rodder Chevrolet TH 350 transmission 6" tail shaft 425hp non lockup . . . . .	Ea	\$993.75
8573	Street Rodder Chevrolet TH 350 transmission 9" tail shaft 425hp non lockup . . . . .	Ea	\$993.75
8575	Street Fighter Chevrolet 700R4 transmission 30 spline 30-1/2 " OAL 525hp, lock up unit . . . . .	Ea	\$1985.00
8576	Street Fighter Chevrolet TH 350 transmission 6" tail shaft 575hp non lock up. . . . .	Ea	\$1156.19
8577	Street Fighter Chevrolet TH 350 transmission 9" tail shaft 575hp non lock up. . . . .	Ea	\$1355.00
8578	Street Fighter Chevrolet TH 400 transmission 4" tail shaft 725hp non lock up. . . . .	Ea	\$1400.00
8579	Street fighter Chevrolet 700R4 transmission 30 spline 30-1/2 " OAL 725hp lock up unit. . . . .	Ea	\$1999.00

## AUTOMATIC TRANSMISSION PARTS . . . . 05.390

6574	58-62 Dipstick for cast iron power glide - O.A.L. 18 1/2" cap to full 14 7/8" . . . . .	Ea	\$42.90
6575	58-62 Dipstick tube for cast iron power glide O.A.L. 131/8",		

6576	1" O.D . . . . .	Ea	\$42.90
3028	62-65 Dipstick for aluminum power glide - all black except 409 . . . . .	Ea	\$76.95
5057	62 Up power glide clutch band. . . . .	Ea	\$90.00
8526	63 Linkage rod, with powerglide, column shift . . . . .	Ea	\$42.35
5814	63 Linkage rod, with powerglide, with floor shift. . . . .	Ea	\$42.35
5237	58 Transmission indicator delete . . . . .	Ea.	\$19.80
8280	55-70 Cooling line to radiator fitting (requires 2) . . . . .	Ea	\$5.99
6890	55-70 Cooling line to Griffin radiator fitting Ea	\$9.00	
6891	59-61 Steel cooling lines turboglide . . . . .	Set	\$49.50
5238	59-61 Stainless Steel cooling lines, turboglide. . . . .	Set	\$90.75
5068	55-70 Cooling line to transmission fitting . . . . .	Ea	\$4.13
6893	58-62 Steel cooling lines (cast iron power glide) . . . . .	Set	\$69.50
8297	58-62 Stainles Steel cooling lines (cast iron power glide) . . . . .	Set	\$90.75
8298	58-63 Steel transmission cooling lines 700R4 .	Set	\$65.00
3361	58-63 Stainless Steel transmission cooling lines 700R4 . . . . .	Set	\$90.75
3657	58-64 Cooling line clip . . . . .	Ea	\$6.00
6892	62-64 Cooling lines (aluminum powerglide) . .	Set	\$55.00
6166	62-64 Stainless steel cooling lines (aluminum powerglide) . . . . .	Set	\$90.75
6167	58-66 Transmission cooling lines for Turbo 350, Turbo 400 steel . . . . .	Set	\$66.55
	58-66 Transmission cooling lines for Turbo 350, Turbo 400 stainless steel. . . . .	Set	\$90.75

## KICK DOWN LINKAGE . . . . . 05.390

*Also known as passing gear linkage, T.V. Linkage, or transmission throttle valve control linkage.*

6491	58-62 Kick down linkage upper rod with swivel, all V8 except 348 . . . . .	Ea	\$39.60
6492	58-62 Kick down linkage upper rod with swivel, 348 . . . . .	Ea	\$39.60
6493	58-62 Kick down linkage bell crank cross shaft, all V8 . . . . .	Ea	\$75.90
6494	58-62 Kick down linkage lower rod, all V8 . . .	Ea	\$43.95
6495	63-65 Kick down linkage upper rod with swivel, all V8 except 409 . . . . .	Ea	\$39.60
6496	63-65 Kick down linkage upper rod with swivel, 409 . . . . .	Ea	\$39.60
6497	63-65 Kick down linkage bell crank cross shaft, all V8 . . . . .	Ea	\$43.95
6498	63-65 Kick down linkage lower rod, all V8 . . .	Ea	\$43.95

**All prices subject to change without notice. Any installed part is not returnable**

# Page 70 Show-Cars.com 1-24 Catalog



**Show Cars Part #6493**

## VACUUM MODULATOR..... 05.391

- 5384 58-60 Vacuum modulator line with brackets ALL  
..... Set \$51.43
- 5385 63-65 Vacuum modulator line with clip 409,all powerglide  
..... Ea \$59.90
- 5386 61 Vacuum modulator line with powerglide 348  
..... Set \$51.34
- 7382 Powerglide vacuum modulator, 63 2nd design, 64 all except  
with 153 & 194 engines ..... Ea \$39.95

## HURST SHIFT KITS ..... 05.430

4 speed shift kits, complete with Hurst shift body, linkage, handle & ball. Handle and ball are reproductions of the original GM but made for Hurst shifters



**Show Cars Part #3985**

- 3985 58-63 Hurst 4 spd shift kit (T-10) bench seat. . Kt \$876.65
- 8161 58-59 Hurst 4 spd shift kit (T10) bench seat, rear mount  
..... Kit \$876.65
- 7863 58-63 Hurst 4 spd shift kit bench seat for 69 and newer Mun

- 3986 62 SS Hurst 4 spd shift kit (T-10) ..... Kit \$876.65
- 7864 62 SS Hurst 4 spd shift kit for 69 and newer Muncie transmis-  
sion ..... Kit \$876.65
- 6105 63 SS Hurst 4 spd shift kit (T-10) ..... Kit \$876.65
- 7865 63 SS Hurst 4 spd shift kit for 69 and newer Muncie transmis-  
sion ..... Kit \$876.65
- 6851 58-63 Hurst 4 spd shift kit (Muncie) bench seat Kit \$876.65
- 6846 63 SS Hurst 4 spd shift kit (Muncie) ..... Kit \$876.65
- 7865 63SS Hurst 4 spd shift kit for 69 and newer Muncie transmis-  
sion ..... Kit \$876.65
- 6107 64-67 Hurst 4 spd shift kit (Muncie) bench seat  
..... Kit \$876.65
- 7867 64-67 Hurst 4 spd shift kit for 69 and newer Muncie transmis-  
sion ..... Kit \$876.65
- 4505 64-67 SS Hurst 4 spd shift kit (Muncie) ..... Kit \$876.65
- 7866 64-67 SS Hurst 4 spd shift kit for 69 and newer Muncie  
transmission ..... Kit \$876.65

- 5832 Hurst Competition Plus shift body. .... Ea \$492.95
- 8563 Hurst Competition Plus shift body with Hurst flat handle and  
Hurst white shift ball. .... Ea \$535.00
- 5833 Hurst Linkage for T10 ..... Ea \$260.95
- 8076 Hurst linkage for T 10 rear mount ..... Ea \$269.95
- 5834 Hurst linkage for Muncie ..... Ea \$260.95
- 7823 Hurst linkage for 69 and newer Muncie ..... Ea \$260.95
- 6713 Hurst linkage for Saginaw ..... Ea \$282.95
- 9196 GM Hurst shift plate for Muncie and BW-T10. Ea \$58.30

## SHIFT HANDLE BALL ..... 05.470

- 3370 58-63 White with 4 speed pattern 5/16 thread 1-1/2  
..... Ea \$11.00
- 3369 58-63 White with no pattern 5/16 thread 1-1/2 OD  
..... Ea \$11.00
- 8352 58-63 Black with no pattern 5/16 thread 1-1/2 OD  
..... Ea \$9.00
- 8353 58-63 Black with no pattern 5/16 thread 1-5/8 OD  
..... Ea \$9.00
- 5352 64-67 Chrome Shift Knob 5/8 thread 1-5/8 OD  
..... Ea \$27.00
- 5353 64-67 Shift knob - black chrome 5/8 thread 1-5/8 OD  
..... Ea \$20.85
- 5494 64-67 Shift knob- white 5/8 thread 1-5/8 OD.. Ea \$36.95

## SHIFT BOOTS ..... 05.510

- 4869 58-59 Shift boot for bench seat. .... Ea \$48.00
- 3630 60-63 Shift boot, bench seat and 63 SS lower with power-  
glide. .... Ea \$49.95
- 3630A 61 SS Shift boot. .... Ea \$71.50
- 3631 62 SS Shift boot. .... Ea \$68.50
- 3632 63 SS 4 speed shift boot. .... Ea \$49.95
- 5777 63 SS Upper Shift, power glide boot ..... Ea \$59.95
- 3633 64 SS Upper shift boot ..... Ea \$49.95
- 3634 64 Lower shift boot ..... Ea \$60.95
- 8490 64 Bench seat vinyl carpet trim, 4 speed ..... Ea \$71.50

**Go to Show-Cars.com for updates and many more pictures**

# 507-233-1958 Fax 507-354-1959 1-24 Catalog 71

5309	58-59 Boot ring with screws. . . . .	Set	\$28.05
4272	60-63 Boot ring with screws. . . . .	Set	\$28.05
5313	64 Boot ring with screws. . . . .	Ea	\$30.20

## Console & Brackets - See interior group #12

### SHIFTER LINKAGE (MISC.) . . . . . 05.550

8217	58-66 Shift linkage rod swivel with rubber grommet Ea	\$17.50
8246	59-63 Original 4 speed transmission shifter linkage cover Ea	\$6.00
3712	61-63 shift lever knob, column shift. . . . .	Ea \$23.95
3193	61-64 Neutral safety backup switch, powerglide column shift onlyEa	\$34.00
7584	63 SS Powerglide neutral safety switch . . . . .	Kit \$445.00
7583	64 SS Powerglide neutral safety switch . . . . .	Ea \$45.00
3744	64-67 Automatic transmission floor shift lever release button . . . . .	Ea \$22.95
3660	64-up Reverse lock out cable . . . . .	Ea \$26.33
5955	Hurst shifter plastic bushing and clip set (Pit Pack) . . . . .	Set \$24.50
5955A	Hurst shifter nylon bushing and clip set (Pit Pack) . . . . .	Ea \$16.95
6568	63-65 Power glide transmission shifting lever with SS floor shift. . . . .	Ea \$55.00
6569	63 Power glide shifter linkage rod with SS floor shift . . . . .	Ea \$52.80
6570	64 Power glide shifter linkage rod with SS floor shift . . . . .	Ea \$66.00
6571	58-65 Shifting linkage rubber grommet - all exc. 4 speed . . . . .	Ea \$3.39
6572	63 Shifting linkage rod swivel with SS power glide Ea	\$36.00
9023	63-65 SS Powerglide shift linkage rod swivel .	Ea \$36.00
6573	58-63 Shifting linkage rod kit for Borg/Warner T10 all rods, all levers & pins . . . . .	Ea \$175.00

### SHIFT HANDLES 05.590

3365	58-63 Bench seat for use with Hurst body . . . .	Ea \$90.75
3367	62 SS for use with Hurst body . . . . .	Ea \$109.95
3368	63 SS for use with Hurst body . . . . .	Ea \$90.75
4231	64 SS & 64 Chevelle for use with Hurst body .	Ea \$90.75
4788	64-67 Bench seat for use with Hurst body . . . .	Ea \$90.75
8564	Hurst flat shift handle with white 4 speed ball .	Ea \$118.00

### TRANSMISSION TUNNEL EXTENSION

#### . . . . . 05.600

4242	60 4 speed transmission . . . . .	Ea \$85.00
4243	61-63 4 speed and 63 automatic transmission .	Ea \$69.95
5938	61-63 Template for trans tunnel extension . . . .	Ea \$11.00
2311	61-63 Transmission tunnel extension seal . . . .	Ea \$50.00
8491	64 Shifter opening template, console and bench seat. . . . . .	Ea \$11.00

### PILOT BEARING . . . . . 05.610

All prices subject to change without notice. Any installed part is not returnable

3190A	58-70 clutch pilot bearing/with needle bearings	Ea \$16.75
6817	348 Pilot Bearing set. For use when converting a crank designed for turbo glide, or power glide to 3 or 4 speed trans- mission . . . . .	Ea \$26.00
3190	58-64 all 3 & 4 speed pilot bearing. . . . .	Ea \$8.00

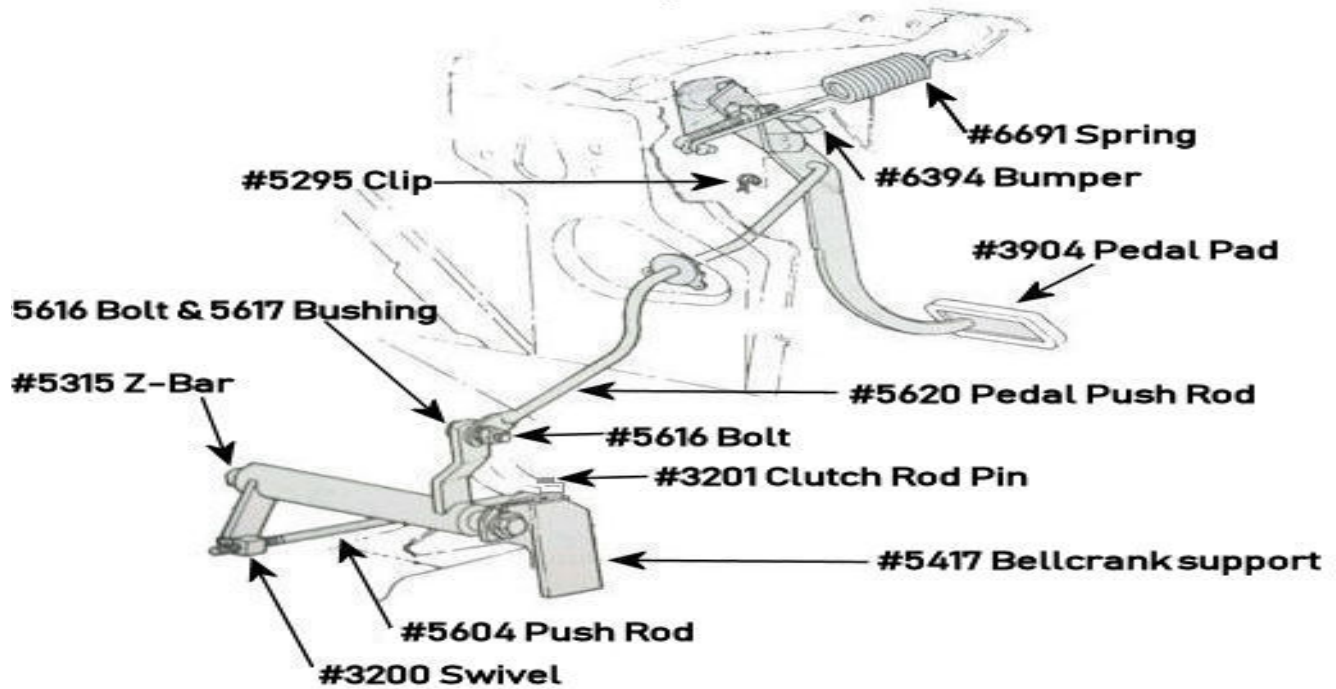
For Bolts, Clips, and Screws please see group 25

### TRANSMISSION REBUILD KITS . . . 05.620

6543	58-63 Borg/Warner T10 master rebuild kit. . . .	Kit \$170.00
6544	58-63 Borg/Warner T10 gasket and seal kit . . .	Kit \$32.50
6545	58-63 Borg/Warner T10 shifting fork . . . . .	Ea \$49.00
6557	63-64 Munice master rebuild kit - early with 7/8" counter shaft . . . . .	Kit \$151.95
6558	63-64 Munice shifting fork . . . . .	Ea \$49.00
6546	62-73 Power glide aluminum master rebuild kit . . . . .	Kit \$69.95
6547	62-73 Power glide aluminum master rebuild kit - high perfor- mance . . . . .	Kit \$188.50
6548	62-73 Power glide aluminum filter and gasket kit . . . . .	Kit \$14.95
8489	Borg Warner T10 tail housing bushing. . . . .	Ea \$14.00

# 1958 Clutch Assembly

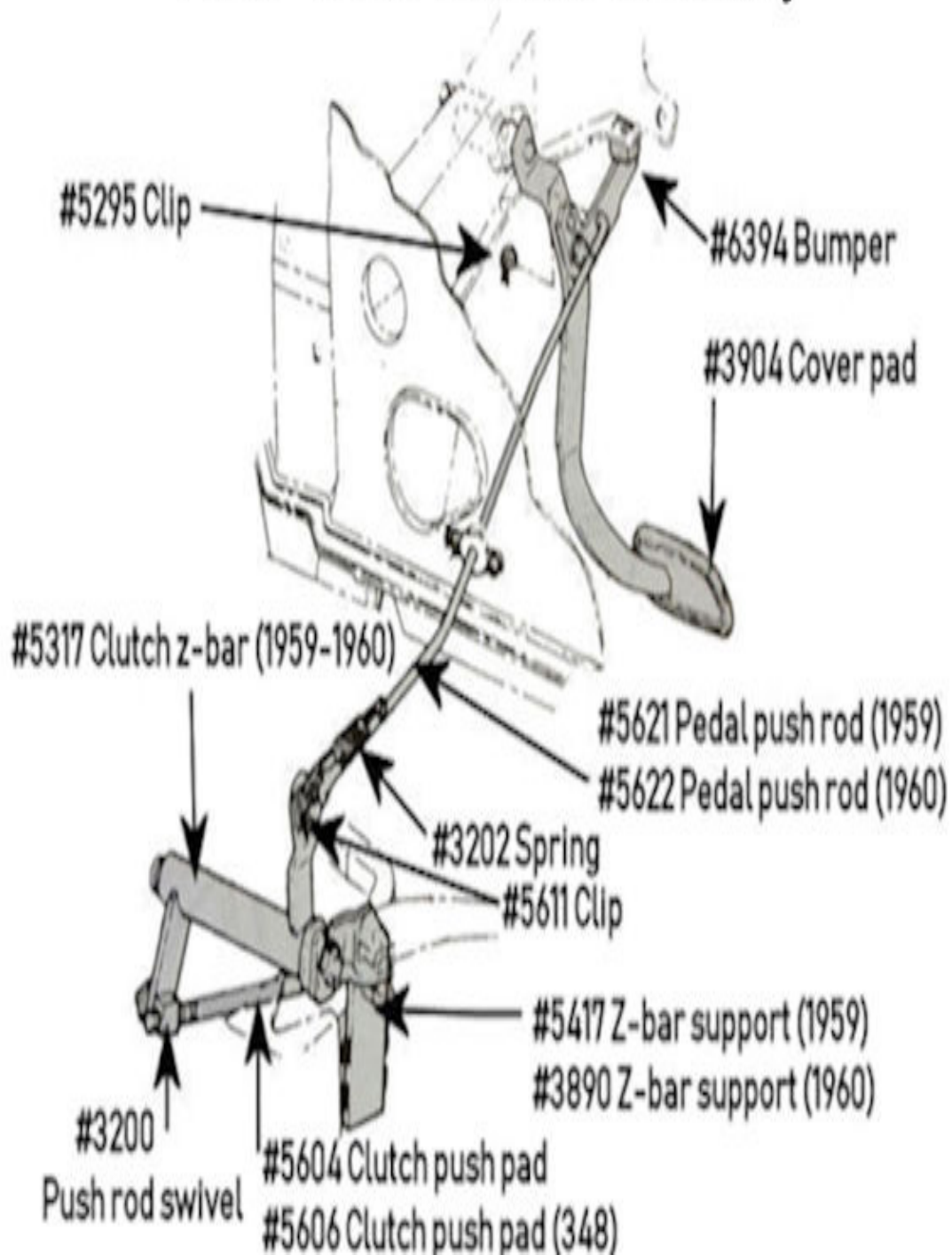
Group 05.090



Go to [Show-Cars.com](http://Show-Cars.com) for updates and many more pictures

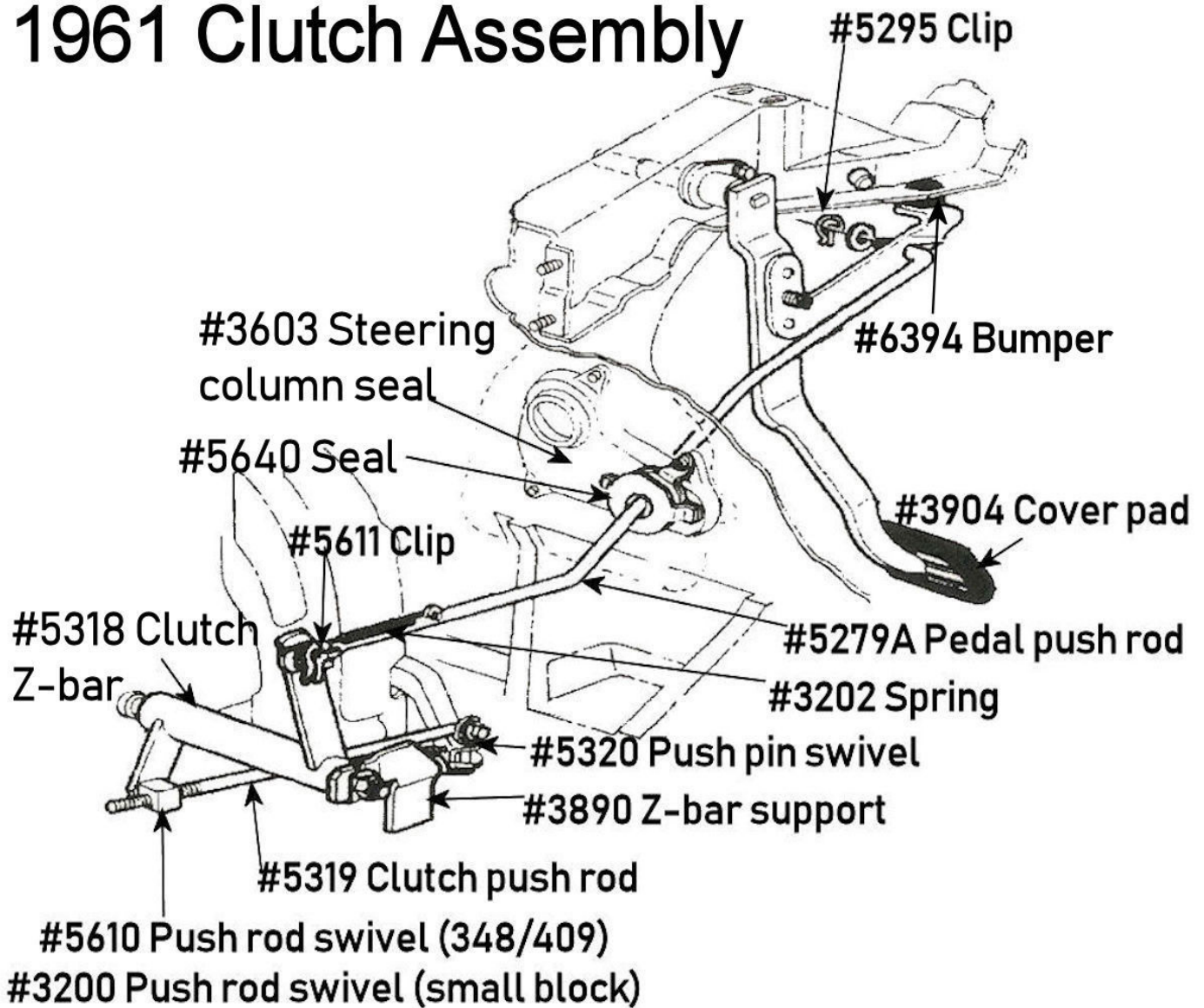


## 1959-1960 Clutch Assembly



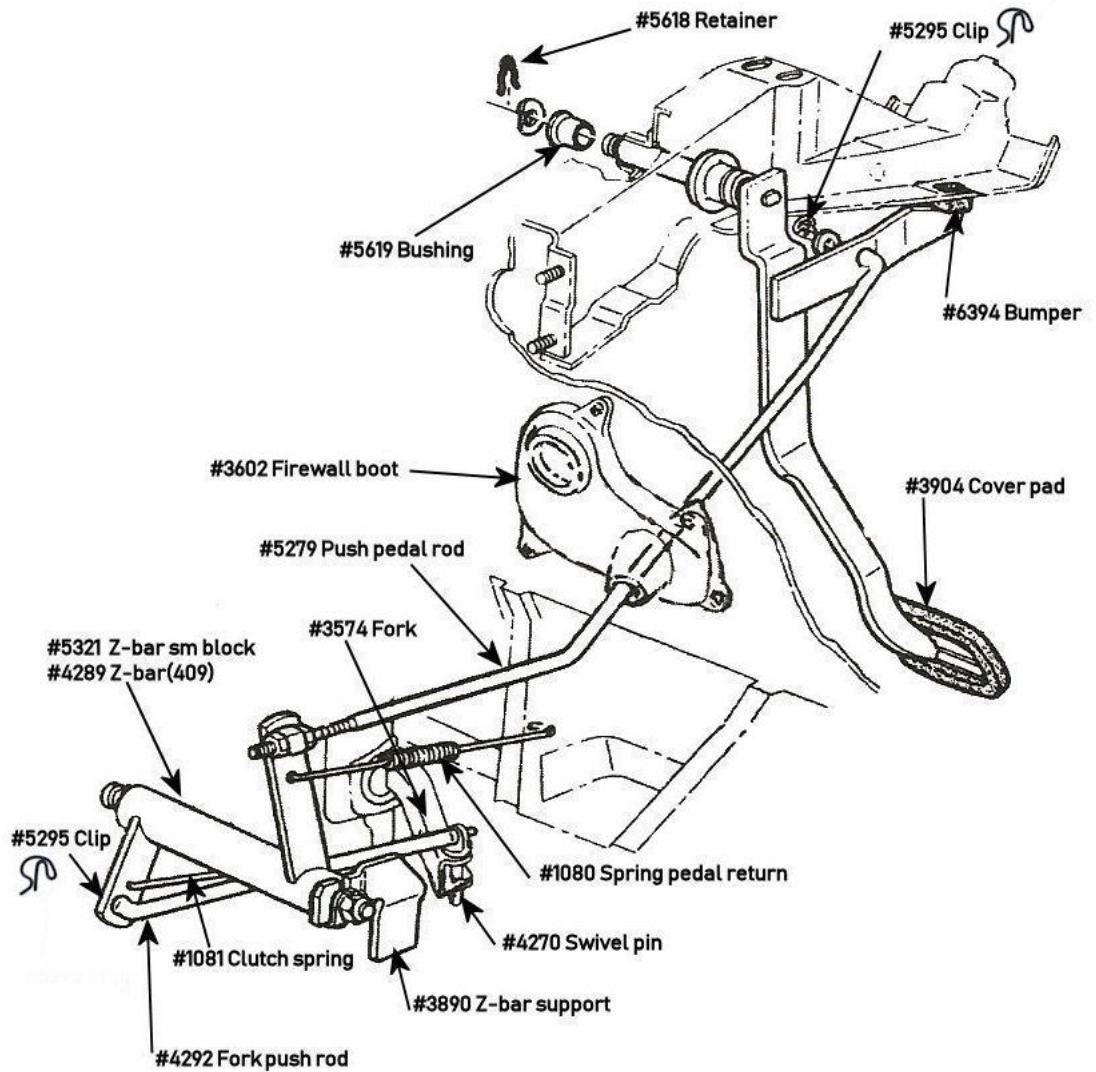
All prices subject to change without notice. Any installed part is not returnable

# 1961 Clutch Assembly



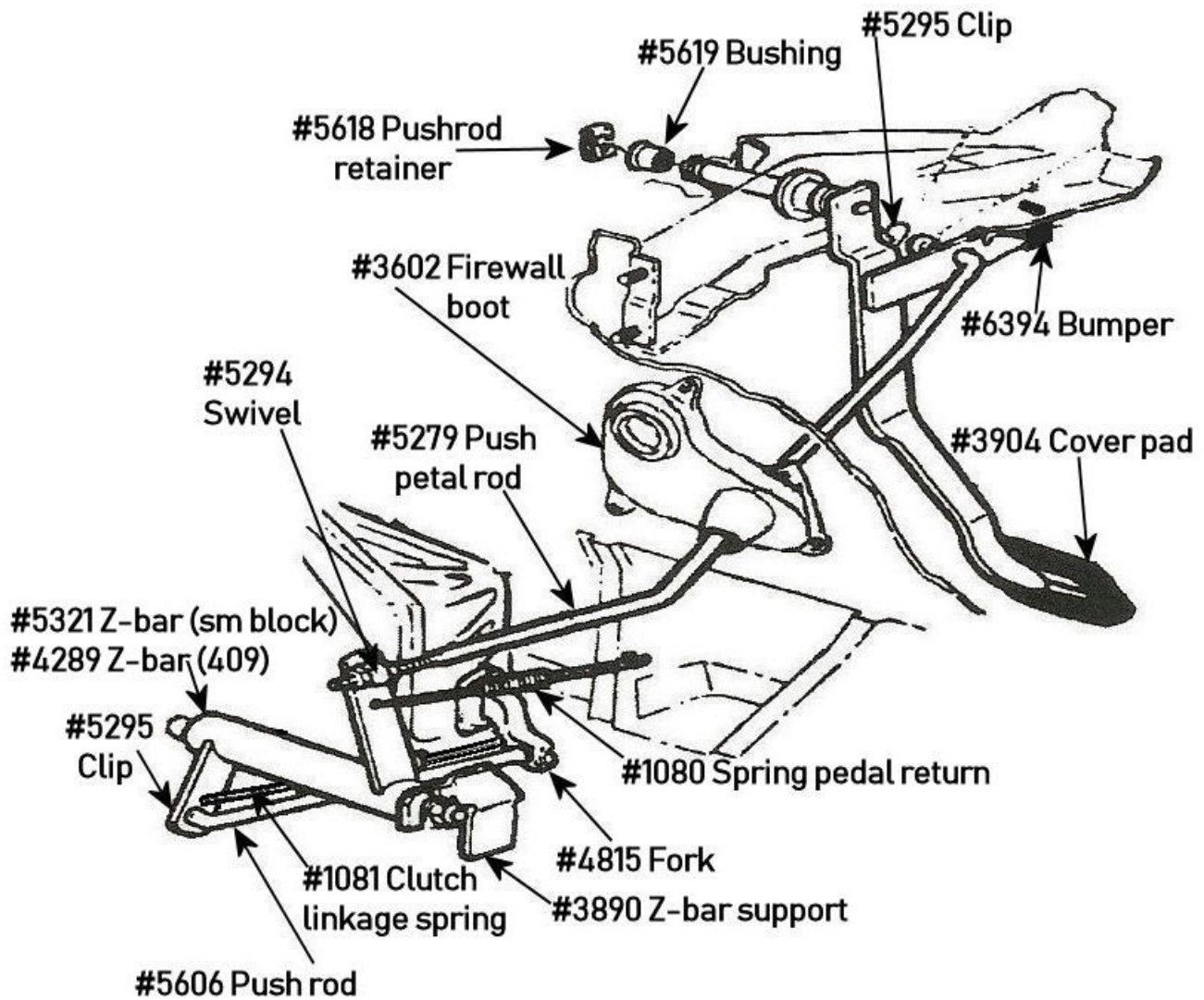
Go to [Show-Cars.com](http://Show-Cars.com) for updates and many more pictures

### 1962-1963 Clutch Assembly



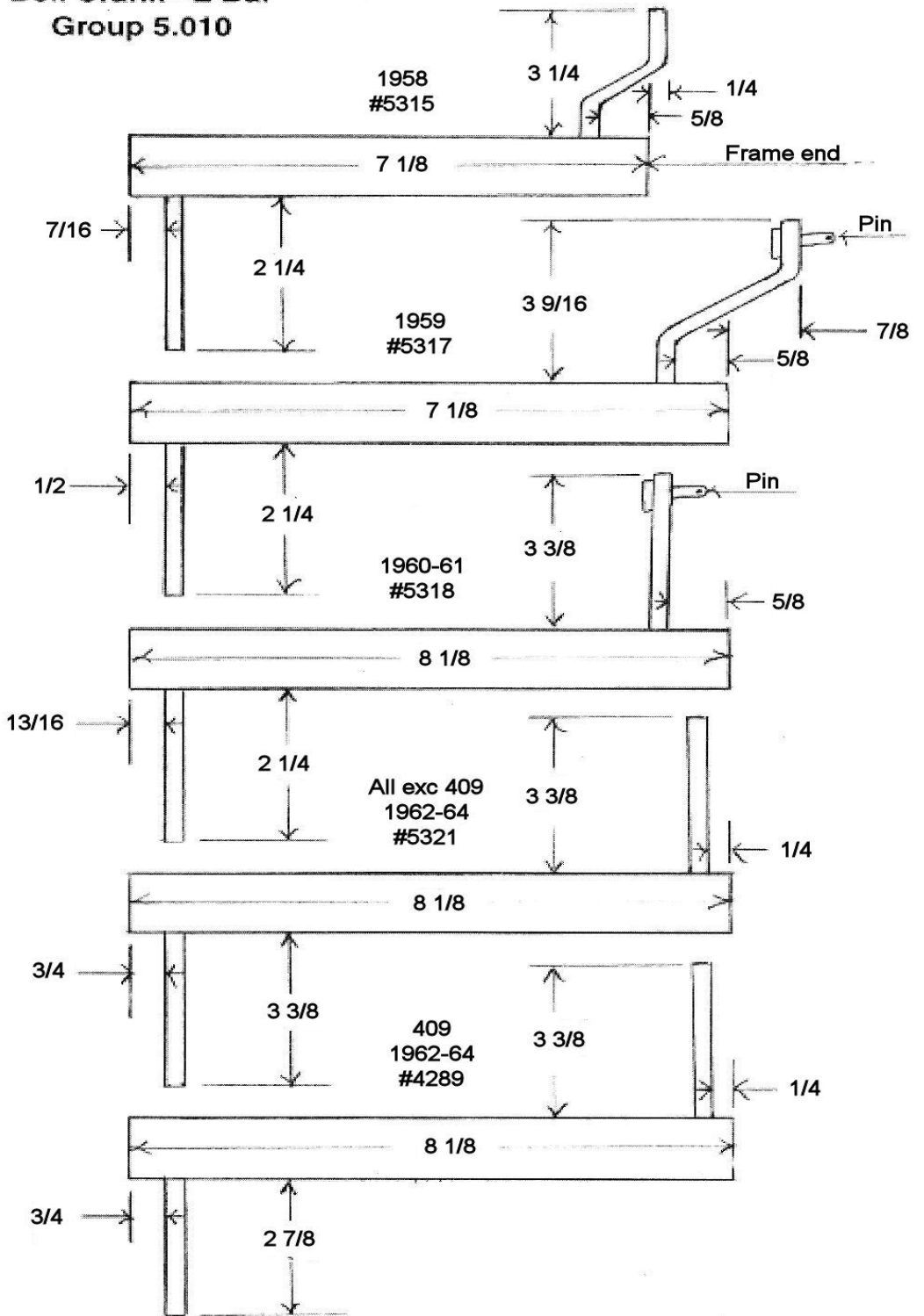
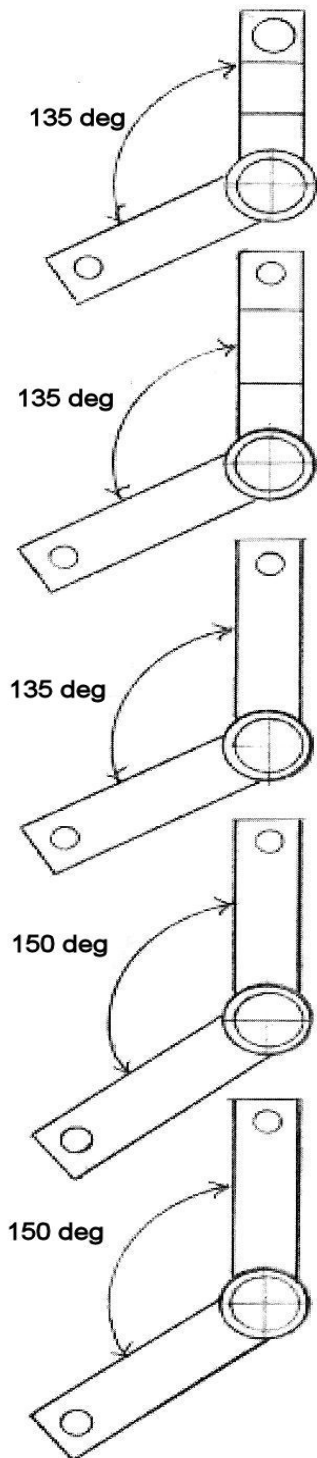
All prices subject to change without notice. Any installed part is not returnable

## 1964 Clutch Assembly



Go to [Show-Cars.com](http://Show-Cars.com) for updates and many more pictures

Bell Crank - Z Bar  
Group 5.010



All prices subject to change without notice. Any installed part is not returnable

## Exhaust . . . . . 06 COMPLETE STOCK EXHAUST SYSTEMS.

..... 06.010

*Top quality exhaust kits are custom bent by SC Automotive and fitted on our original cars to insure correct fit and appearance. Stock exhaust systems include pipes, mufflers, flanges & donuts. Some 348 and all 409 exhaust systems are correct with 2-1/2" pipes to the muffler and 2" pipes to the back. We can also custom configure your system, 2-1/2" all the way back, exit in front of rear wheel, back of rear wheel, or straight out back, also systems for cars with headers. Call 507-233-1958 for a quote on your system. Note: Because of variations in tire size, shocks and other suspension modifications, systems ordered with 2 1/2" tail pipes may require slight bending and adjustments by the installer. 2 1/2" tail pipes are not guaranteed to fit without some modification. Please have the following information available when ordering: Engine, year of car & casting number of exhaust manifolds.*

6368	58-59 Small block 2in aluminized single exhaust stock muffler 2pc tail pipe. . . . .	Set \$500.00
6369	58-64 Small block single exhaust kit stainless steel . . . . .	Set \$805.00
8501	58 Small block 2x2 dual aluminized exhaust stock muffler 2pc tail pipes . . . . .	Set \$700.00
8507	59 Small block 2x2 dual aluminized exhaust stock mufflers 2pc tail pipes . . . . .	Set \$695.00
8505	60 (REV)61-64 Small block dual exhaust kit aluminized 2" . . . . .	Set \$695.00
8506	60 Small block dual exhaust kit stainless 2" . . . . .	Set \$1,220.00
8503	61-64 Small block 2x2 aluminized dual exhaust stock muffler 1pc tail pipes . . . . .	Set \$695.00
8504	61-64 Small block 2x2 stainless dual exhaust stock mufflers 1pc tail pipes . . . . .	Set \$1,220.00
6375	58 348 2x2 Aluminized exhaust, stock mufflers, 2pc tail pipes . . . . .	Set \$795.00
7893	59 348 2x2 Aluminized exhaust, stock mufflers, 2pc tail pipes . . . . .	Set \$695.00
7895	60 348 dual exhaust aluminized steel 2x2, 2pc tail pipes . . . . .	Set \$695.00

9219	60 348 Dual exhaust aluminized steel 2x2 1pc tail pipes . . . . .	Set \$695.00
7896	60 348 dual exhaust stainless steel 2" . . . . .	Set \$1,220.00
7386	61-64 348/409 2x2 Aluminized exhaust, stock mufflers, 1pc tail pipes . . . . .	Set \$695.00
7387	61-64 348/409 dual exhaust stainless steel 2" . . . . .	Set \$1,220.00
6370L	61-64 348/409 2.5x2 Aluminized exhaust w/ stock mufflers 1pc tail pipes for early style manifolds also fits 300 HP 327 . . . . .	Set \$695.00
9202L	61-64 348/409 2.5x2 Aluminized exhaust w/stock mufflers 2pc tail pipe for early style manifolds also fits 300 HP 327 . . . . .	Set \$695.00
6370L25	61-64 348/409 2.5x2.5 Aluminized exhaust w/stock mufflers 1pc tail pipes for early style manifolds also fits 300 HP 327. . . . .	Set \$885.00
9203L25	61-64 348/409 2.5x2.5 Aluminized exhaust w/stock mufflers 2pc tail pipes for early style manifolds also fits 300 HP 327 . . . . .	Set \$885.00



**Show Cars Part #6370H**

6370H	61-64 348/409 2.5x2 Aluminized exhaust w/stock mufflers 1pc tail pipes for late style manifolds. . . . .	Set \$695.00
9202H	61-64 348/409 Aluminized 2.5x2 exhaust w/stock mufflers 2pc tail pipes for late style manifolds . . . . .	Set \$695.00
9203H25	61-64 348/409 2.5x2.5 Aluminized exhaust w/stock mufflers 2pc tail pipes for late style manifolds . . . . .	Set \$885.00
6370H25	61-64 348/409 2.5x2.5 Aluminized exhaust w/stock mufflers 1pc tail pipes for late style manifolds . . . . .	Set \$885.00
6371L	61-64 348/409 Dual exhaust stainless steel 2 1/2" x 2" for early style manifolds. . . . .	Set \$1,199.00
6371H	61-64 348/409 Dual exhaust stainless steel 2 1/2" x 2" for late style manifolds. . . . .	Set \$1,199.00
9236	61-64 409 Dual exhaust stainless steel 2-1/2 x 2 for later style Hi-performance manifolds 2pc tail pipes . . . . .	Set \$1199.00
8805H	61-64 348/409 Dual exhaust aluminized steel with chery-bomb muffler, 2-1/2"x2" for later high performance mani-	

**Go to Show-Cars.com for updates and many more pictures**

# 507-233-1958 Fax 507-354-1959 1-24 Catalog 79

8805L	61-64 348/409 Dual exhaust aluminized steel with cherry-bomb muffler, 2-1/2"x2" for low performance manifolds	Set \$695.00
8806H	61-64 348/409 Dual exhaust aluminized steel with turbo mufflers, 2-1/2"x2" for later high performance manifolds.	Set \$655.00
8806L	61-64 348/409 Dual exhaust aluminized steel with turbo mufflers, 2-1/2"x2" for low performance manifolds.	Set \$679.00
8807H	61-64 348/409 Dual exhaust aluminized steel with turbo mufflers 2-1/2"x2-1/2" for later high performance manifolds	Set \$885.00
8807L	61-64 348/409 Dual exhaust aluminized steel with turbo mufflers 2-1/2"x2-1/2" for low performance manifolds	Set \$885.00
8808H	61-64 348/409 Dual exhaust aluminized steel with 2 chamber Flow Master mufflers, 2-1/2"x2" for later high performance manifolds.	Set \$835.00
8808L	61-64 348/409 Dual exhaust aluminized steel with 2 chamber Flow Master mufflers, 2-1/2"x2" for low performance manifolds	Set \$835.00
8809H	61-64 348/409 Dual exhaust aluminized steel with 2 chamber Flow Master mufflers, 2-1/2"x2-1/2 for later high performance manifolds.	Set \$865.00
8809L	61-64 348/409 Dual exhaust aluminized steel with 2 chamber Flow Master mufflers, 2-1/2"x2-1/2 for low performance manifolds.	Set \$865.00
9209L	61-64 348/409 Dual exhaust aluminized steel with 2 chamber Flow Master mufflers 2-1/2"x2-f1/2 for low performance manifolds, 2 pc tail pipes	Set \$865.00
8810H	61-64 348/409 dual exhaust aluminized steel with 3 chamber Flow Master mufflers, 2-1/2"x2" for later high performance manifolds.	Set \$845.00
8810L	61-64 348/409 dual exhaust aluminized steel with 3 chamber Flow Master mufflers, 2-1/2"x2" for low performance manifolds	Set \$845.00
8811H	61-64 348/409 dual exhaust aluminized steel with 3 chamber Flow Master mufflers, 2-1/2"x2-1/2' for later high performance manifolds.	Set \$865.00
8811L	61-64 348/409 dual exhaust aluminized steel with 3 chamber Flow Master mufflers, 2-1/2"x2-1/2' for low performance manifolds.	Set \$865.00
6370A	65 409 Dual exhaust aluminized steel	Set \$695.00

*Note: 61-64 Exhaust system will also fit 60 models if you use 61-64 hangers*

## CHOKES Baffles . . . . . 06.050

1042	62-65 High perf 409 galvanized choke baffle with studs	Ea \$41.95
------	--	------------

1042A	62-65 High perf 409 stainless steel choke baffle with studs	Ea \$34.49
-------	---	------------

## EXHAUST LOCKS, STAINLESS STEEL . . .

### 06.090

1069	58-65 348/409 set of 4	\$14.58
1069A	58-64 Small block set of 4	\$13.25

## EXHAUST MANIFOLDS . . . . . 06.110



## Show Cars Part #3251

3251	61-64 409 hi perf reproductions of GM Part 3822925/3822926 manifolds	Set \$2,000.00
3822925	61-64 409 hi performance manifold new reproduction driver	Ea \$1,100.00
3822926	61-64 409 hi performance manifold new reproduction passenger	Ea \$1,100.00
8017	Small block 2-1/2" exhaust manifold, driver with bracket	Ea \$99.00
8018	Small block 2-1/2" exhaust manifold, passenger with bracket	Ea \$109.50
8344	Small block 2-1/2" exhaust manifold, driver less bracket	Ea \$199.00
8343	Small block 2-1/2" exhaust manifold, passenger less bracket	Ea \$199.00
3580	348/409 Exhaust manifold gasket	Set \$17.95
9094	409 Exhaust gasket large port, graphite with Stainless Steel insert	Pr \$29.95

## EXHAUST MANIFOLD BOLTS COMMON

### HARDWARE . . . . . 06.430

6185	1-1/4" bolt	Ea \$1.00
6186	1-1/2" bolt	Ea \$1.00
6187	1-3/4" bolt	Ea \$1.00
6188	2" bolt	Ea \$1.00
6189	2-1/4" bolt	Ea \$1.00
6190	2-1/2" bolt	Ea \$1.00
6191	2-3/4" bolt	Ea \$1.00
6192	3" bolt	Ea \$1.00

**All prices subject to change without notice. Any installed part is not returnable**

# Page 80 Show-Cars.com 1-24 Catalog

6855 409 Exhaust bolt kit for our 3251 high performance manifolds only . . . . . Set \$12.00

## EXHAUST MANIFOLD BOLTS . . . . 06.430

*With correct double circle markings.*

7490 1 1/8" Stainless Steel bolt . . . . . Ea \$8.00  
 6193 1 1/4" Stainless Steel bolt . . . . . Ea \$4.00  
 7491 1 3/8" Stainless Steel bolt . . . . . Ea \$8.00  
 6194 1 1/2" Stainless Steel bolt . . . . . Ea \$4.00

7492 1 5/8" Stainless Steel bolt . . . . . Ea \$8.00  
 6195 1 3/4" Stainless Steel bolt . . . . . Ea \$4.00  
 7493 1 7/8" Stainless Steel bolt . . . . . Ea \$8.00  
 6196 2" Stainless Steel bolt . . . . . Ea \$4.00

7494 2 1/8" Stainless Steel bolt . . . . . Ea \$8.00  
 6197 2 1/4" Stainless Steel bolt . . . . . Ea \$4.00  
 7495 2 3/8" Stainless Steel bolt . . . . . Ea \$8.00  
 6198 2 1/2" Stainless Steel bolt . . . . . Ea \$4.00

7496 2 5/8" Stainless Steel bolt . . . . . Ea \$8.00  
 6199 2 3/4" Stainless Steel bolt . . . . . Ea \$4.00  
 7497 2 7/8" Stainless Steel bolt . . . . . Ea \$8.00  
 6200 3" Stainless Steel bolt . . . . . Ea \$4.00

7498 3 1/8" Stainless Steel bolt . . . . . Ea \$8.00  
 6695 3-1/4" Stainless Steel Bolt . . . . . Ea \$4.00  
 7499 3 3/8" Stainless Steel bolt . . . . . Ea \$8.00  
 6696 3 1/2" Stainless steel bolt . . . . . Ea \$4.00

7500 3 5/8" Stainless Steel bolt . . . . . Ea \$8.00  
 7501 3 7/8" Stainless Steel bolt . . . . . Ea \$8.00  
 6854 409 Stainless Steel bolt kit for our 3251 high performance manifolds only . . . . . Set \$49.00  
 6030 Exhaust bolt washers (14) . . . . . Set \$14.99  
 7718 Exhaust bolt washers, stainless steel (14) . . . . . Set \$18.00

## HEADER KIT. . . . . 06.110

6553 348/409 header kit: all the parts to start building your headers - head flanges, gaskets, bolts, 1-3/4" tubes, collectors, flanges . . . . . Kit \$199.00  
 7596 348/409 Build your own headers. Includes: flanges, pre-bent tubes, collectors, collector flanges, gaskets and bolts. You do the welding . . . . . Kit \$319.00  
 8515 348/409 Fenderwell Header kit Includes: flanges, pre-bent tubes, collectors, collector flanges, gaskets and bolts, You do the welding . . . . . Kit \$369.00  
 7587 Header collector, need to fit and weld. . . . . Pr \$49.00

## SMALL BLOCK HEADERS FOR 58-64

### FULL SIZE CARS . . . . . 06.110

6726 58-64 Doug's small block headers, unpainted 1 5/8" tubes, 3" collectors . . . . . Set \$506.61  
 6727 58-64 Doug's small block headers, ceramic coated 1 5/8" tubes, 3" collectors . . . . . Set \$942.95

6728 58-64 Hedman small block headers, painted 1 5/8" tubes, 3" collectors . . . . . Set \$319.00

6712 58-64 Hedman small block headers, ceramic coated 1 5/8" tubes, 3" collectors . . . . . Set \$450.00

6729 58-64 Hooker Super Comp small block headers, painted 1 3/4" tubes, 3" collectors, will fit angle plug heads . . . . . Set \$889.00

6730 58-64 Hooker Super Comp small block headers, ceramic coated, 1 3/4" tubes, 3" collectors, will fit angle plug heads . . . . . Set \$1,005.95

## 348/409 HEADERS FOR 58-64 FULL SIZE CARS . . . . . 06.110

*Please note: All headers except Dougs Tri-Y and Sanderson Block Huggers need modification in order to fit 58-64 Full size Chevrolets.*

5510 348/409 Hooker Super Competition header, 1-7/8 tubes, 3" collectors, 3/8" head flange. Inner fender must be cut or bent, in some areas Hooker flattens tube for clearance comes with all bolts, flanges & gaskets. . . . . Pr \$1,191.95

6294 348/409 Hooker Super Competition header, Ceramic coated. 1-7/8 tubes, 3" collectors, 3/8" head flange. Inner fender must be cut or bent, in some areas Hooker flattens tube for clearance comes with all bolts, flanges & gaskets. . . . . Pr \$1,365.00

9040 348/409 Doug's Tri Y headers 1-3/4 tubes, 2-1/2 collectors 3/8 head flange. Comes with all bolts, flanges and gaskets. Fits where stock pipes run. Great Fit, black . . . Pr \$927.45

6045 348/409 Doug's Tri Y headers 1-3/4 tubes, 2-1/2 collectors 3/8 head flange. Comes with all bolts, flanges and gaskets. Fits where stock pipes run. Great Fit, raw . . . . . Pr \$775.00

6046 348/409 Ceramic coated Doug's Tri Y headers 1-3/4 tubes, 2-1/2 collectors 3/8 head flange. Comes with all bolts, flanges and gaskets. Fits where stock pipes run. Great Fit! . . . . . Pr \$1,142.95

7189 348/409 Sanderson, raw steel block hugger headers. 1-5/8" tubes, 2-1/2" collectors. No gasketets needed, Use Permatex Black High Heat silicone sealer around each port . . . . . Pr \$449.00

7190 348/409 Sanderson ceramic coated block hugger headers. 1-5/8" tubes, 2-1/2" collectors. No gasketets needed, Use Permatex Black High Heat silicone sealer around each port . . . . . Pr \$649.00

7887 Edelbrock 348/409 exhaust gasket . . . . . Pr \$30.95

5641 348/409 Header gasket set . . . . . Set \$16.60

6549 348/409 Generator and alternator adapter bracket for use of headers with stock brackets. . . . . Ea \$21.45

7320 348/409 Graphite hi temp exhaust header gasket . . . . . Set \$39.95

8554 348/409 3/8 header flange flame cut for up to 1-7/8" tube. . . . . Pr \$45.00

**Go to Show-Cars.com for updates and many more pictures**



# 507-233-1958 Fax 507-354-1959 1-24 Catalog 81

- 5642 348/409 3/8" header flange CNC laser cut for up to 2" tubes  
..... Pr \$79.00
- 8840 348/409 Header flange stainless steel, no alternator or genera-  
tor mount. .... Pr \$235.00

*Note: You should always test fit headers before having them custom coated.*

## BIG BLOCK HEADERS FOR 58-64 FULL SIZE CARS ..... 06.110

- 6731 58-64 Hooker Super Comp big block headers, painted, 2 1/8" tubes, 3 1/2" collectors, one tube on each side goes over the frame ..... Set \$949.00
- 6732 58-64 Hooker Super Comp big block headers, ceramic coated, 2- 1/8" tubes, 3 1/2" collectors, one tube on each side goes over the frame ..... Set \$1,495.00
- 7452 Hedman Big Block ceramic coated. .... Set \$599.99

## HEADER DOWN PIPES FOR 58-64 FULL SIZE CARS ..... 06.110

- 9191 Small block down pipe for Dougs headers 2 1/2" tube. You weld it kit from headers to stock muffler location Kit \$95.00
- 6117 348/409 Down pipe for Hooker Headers, 2 1/2" tube. You weld it kit from headers to stock muffler location  
..... Pr \$90.00
- 6118 348/409 Down pipe for Hooker Headers, 3" tube. You weld it kit from headers to stock muffler location. .... Pr \$90.00
- 6581 3x2.5" header reducer Pr \$29.95
- 6693 348/409 Ballanger header down pip kit ..... Pr \$90.00
- 6120 348/409 Down pipe for Doug's Try Y Headers, 2 1/2" tube. You weld it kit from headers to stock muffler location  
..... Pr \$60.00
- 7016 Down pipes for small block Hedman Headers . Pr \$91.00
- 6549 58-65 generator and alternator adapter bracket for use of headers with stock brackets ..... Ea \$21.45
- 7754 3" Copper header collector gasket 3 hole. .... Pr \$29.00
- 7727 348/409 Sanderson header down pipes, 2 1/2", must use spin on filter ..... Pr \$149.95
- 6828 Three in header reducer. 3" collector to 2-1/4" pipe  
E ..... a \$10.00
- 8777 Header reducer, 3-1/2" collector to 2-1/2" Pipe Pr \$34.95

## MANIFOLD STUD KITS ..... 06.130

- 2245 58-64 3 long, 3 short, 6 washers & 6 brass nuts  
..... Set \$19.95
- 5643 58-64 3 long, 3 short, 6 washers & 6 nuts, (all stainless)  
..... Set \$31.35

## MUFFLERS-ALUMINIZED STEEL. . 06.210

- 2241 58-64 2-1/2" X 2" out Full body muffler 4-1/4" x 8 x 27" body OAL 34". .... Ea \$126.95
- 2241A 58-64 2" in 2" out Full body muffler 4-1/4" x 8 x 27" body OAL 34". .... Ea \$126.95
- 6958 58-64 2-1/2" in 2-1/2" out Full body muffler 4-1/4" x 8 x 27" body OAL 34". .... Ea \$126.95
- 2241-18 58-64 2 1/2 in 2 out Turbo type ..... Ea \$96.95
- 2241T 58-64 2 1/2 in 2 1/2 out Turbo type. 4 1/2 x 9 3/4 -14" body OAL 17". .... Ea \$59.95
- 5719 2 1/2" to 2" Turbo muffler extension for 14" muffler.  
..... Ea \$22.00
- 5434 65-69 Muffler for single exhaust. .... Ea \$50.55
- 5435 65-69 Muffler for dual exhaust all exc 283. .... Ea \$62.50
- 5897 Flowmaster 2 chamber 2 1/2 in 2 1/2 out for 2 1/2 tail pipes 4 x 9 3/4 body, OAL 19" ..... Ea \$160.00
- 5898 Flowmaster 2 chamber 2 1/2 in 2 out for 2" tail pipes  
..... Ea \$180.00
- 7427 Flowmaster 3 chamber 2-1/2 in 2 out. .... Ea \$200.00
- 6774 Flowmaster 3 chamber 2-1/2 in 2-1/2 out. .... EA \$180.00
- 7233 Velocity flow muffler 2-1/2 in 2-1/2 out 18" body  
..... Ea \$116.95
- 7234 Velocity flow muffler 2-1/2 in 2-1/2 out 14" body  
..... Ea \$114.95
- 7235 Velocity flow muffler 2 in 2 out 18" body. .... Ea \$116.95
- 7236 Velocity flow muffler 2 in 2 out 14" body. .... Ea \$114.95
- 7237 Velocity flow muffler 2-1/2 in 2 out 18" body.  
..... Ea \$116.95
- 7238 Velocity flow muffler 2-1/2 in 2 out 14" body .  
..... Ea \$114.95



**Show Cars Part #2241**

**All prices subject to change without notice. Any installed part is not returnable**

## MUFFLERS-STAINLESS STEEL . . . 06.210

- 2229 58-64 2 1/2 " Full body muffler 3-3/4 x 8-1/2 -28" body OAL 34" . . . . . Ea \$168.35
- 2229A 58-64 2" Full body . . . . . stainless steel-muffler 3-3/4 x 8-1/2 -28" body OAL 34" . . . . . Ea \$168.35
- 6958SS 58-64 Full body stainless steel muffler, 2 1/2 in, 2 1/2 out. 4 1/4 x 8 x 27, oal 34 inch . . . . . Ea \$168.35

## MUFFLERS-GLASS PACKS

### (ALUMINIZED STEEL) . . . . . 06.220

- 4813 58-64 Glass pack 2 1/2 x 2 x 30" body 3 1/2 diameter muffler fits original exhaust system without modifications . . . . . Ea \$89.95
- 4814 58-64 Glass pack 2 x 2 x 30" body 3 1/2 diameter muffler fits original exhaust system without modifications . . . . . Ea \$89.95
- 8415 58-64 Cherry Bomb muffler 2"X2" . . . . . eA \$59.95
- 7489 58-64 Cherry Bomb muffler 2 1/2"x2" . . . . . Ea \$59.95
- 8141 58-64 Glass pack 2 1/2" in and out 24" body 3 1/2" diameter . . . . . Ea \$59.95

## MUFFLERS-GLASS PACKS

### (STAINLESS STEEL) . . . . . 06.220

- 4811 58-64 Glass pack 2 1/2 x 2 x 30" body 3 1/2 diameter muffler fits original exhaust system without modifications . . . . . Ea \$192.50
- 4812 58-64 Glass pack 2" full 30" body 3 1/2 diameter muffler fits original exhaust system without modifications . . . . . Ea \$192.50

## RESONATORS . . . . . 06.270

- 2244 58-64 Aluminized . . . . . Ea \$96.95
- 3664 58-64 Resonator delete pipe kit. . . . . Set \$22.00
- 2232 58-64 Stainless Steel . . . . . Ea \$168.35

## HEAT RISER VALVE. . . . . 06.350

- 1093 58 Up 2" Heat riser valve . . . . . Ea \$75.99
- 1092 58 up 2 1/2 Heat riser valve . . . . . Ea \$85.99

## HEAT RISER DELETE SPACER . . . 06.370

- 3161 58 up 2" . . . . . Ea \$45.00
- 3162 58 up 2 1/2" . . . . . Ea \$65.99
- 5720 348-409 Intake manifold exhaust block . . . . . Ea \$15.00

## HEAT RISER GASKETS. . . . . 06.390

- 3163A 58 up 2" . . . . . Ea \$3.99
- 3163 58 up 2 1/2" . . . . . Ea \$4.25



Show Cars Part #2248G

## CLAMPS, EXHAUST GM TYPE . . . 06.490

- 2234 58 up 2" Stainless Steel Guillotine exhaust pipe clamp . . . . . Ea \$11.95
- 2236 58 up 2-1/2" Stainless Steel Guillotine exhaust pipe clamp . . . . . Ea \$11.99
- 2246G 58 up 2" Zinc plated Guillotine exhaust pipe clamp . . . . . Ea \$8.80
- 2248G 58 up 2-1/2" Zinc plated Guillotine exhaust pipe clamp . . . . . Ea \$8.80

## FLANGES . . . . . 06.570

- 2248C 58 up 2" . . . . . Ea \$5.60
- 2248A 58 up 2 1/2" . . . . . Ea \$16.85
- 6622 58 up 6cyl. (2") . . . . . Ea \$9.85
- 6694 3" 3 hole . . . . . Ea \$9.85
- 8309 3 1/2" 3 hole . . . . . Ea \$10.95
- 8310 3 1/2" 3 hole flange gasket . . . . . Ea \$6.25
- 8661 3" Header collector gasket . . . . . Pr \$13.90

## DOUGHNUTS . . . . . 06.610

- 3164A 58 up 2" . . . . . Ea \$4.25
- 3164 58 up 2 1/2" . . . . . Ea \$4.25
- 7442 58 up 2 1/2" steel doughnut . . . . . Ea \$6.99

## EXHAUST BRACKET HARDWARE. 06.650

- 3249 55-72 Exhaust rivets, steel, 5/16" x 1/2" flat head (requires 16) . . . . . Pr \$3.00

Go to Show-Cars.com for updates and many more pictures

# 507-233-1958 Fax 507-354-1959 1-24 Catalog 83

5064	55-72 Exhaust hanger rubber strap 1 1/2" x 4 1/4" with 2 holes (requires 8)	Ea	\$4.54
4728	55-72 Exhaust hanger to frame bolt 5/16-24x1/2" indented hex head, self tapping	Ea	\$1.54
8445	58-64 Stainless steel exhaust hanger rubber strap washer	Ea	\$5.50
8446	58-64 Steel exhaust hanger rubber strap washer	Ea	\$3.30
8447	65-68 Steel exhaust hanger rubber strap washer	Ea	\$3.30

## UNIVERSAL EXHAUST HANGERS. 06.450

6649	58-64 Universal exhaust hanger, front	Ea	\$7.44
6651	58-64 Universal exhaust hanger, middle & rear	Ea	\$6.49
6650	58-64 Universal hanger set	Kit	\$65.00
665025	58-64 Universal hanger set 2.5"	Kit	\$65.00

## OEM EXHAUST HANGER KITS (2") 06.450

*Our exhaust hangers are exact reproductions of original hangers taken from cars with stock hangers.*

4793	58-59 Steel exhaust hanger kit for single exhaust	Set	\$94.31
4793SS	58-59 Stainless Steel exhaust hanger kit for single exhaust	Set	\$237.31
4794	58-59 Steel exhaust hanger kit for dual exhaust	Set	\$175.82
4794SS	58-59 Stainless Steel exhaust hanger kit for dual exhaust	Set	\$344.49
4795	60 Steel exhaust hanger kit for single exhaust	Set	\$110.04
4795SS	60 Stainless Steel exhaust hanger kit for single exhaust	Set	\$237.31
4796	60 Steel exhaust hanger kit for dual exhaust	Set	\$175.82
4796SS	60 Stainless Steel exhaust hanger kit for dual exhaust	Set	\$345.99
4287	61-64 Steel exhaust hanger kit for single exhaust	Set	\$94.31
4287SS	61-64 Stainless Steel exhaust hanger kit for single exhaust	Set	\$237.31



## Show Cars Part #4288

4288	61-64 Steel exhaust hanger kit for dual exhaust	Set	\$175.82
4288SS	61-64 Stainless Steel exhaust hanger kit for dual exhaust	Set	\$345.99
5533	65-66 Dual exhaust kit	Kit	\$204.63
5534	67-68 Dual exhaust kit	Kit	\$204.63
8849	65-66 Dual exhaust hanger kit exits behind rear wheel.	Set	\$204.63
8850	67-68 Dual exhaust hanger kit, exits behind rear wheel	Set	\$204.63

## OEM EXHAUST HANGERS (INDIVIDUAL PIECES 2") 06.450

<i>Front (Steel)</i>			
4873	58-59 Weld on bracket driver front	Ea	\$25.96
4280	60-64 Weld on bracket driver front	Ea	\$25.96
4280A	60-64 Bolt on passenger front	Ea	\$29.26
4282	58-64 Hanger assembly driver front	Ea	\$29.50
4874	58-59 Hanger assembly passenger front	Ea	\$52.70
4281	60-64 Hanger assembly passenger front	Ea	\$52.70
5528	65-68 Hanger assembly driver front	Ea	\$63.78
5527	65-68 Hanger assembly passenger front	Ea	\$63.78
8265	67-68 Hanger assembly at rear of muffler, fits both sides.	Ea	\$63.78

<i>Middle (Steel)</i>			
4876	58-59 Hanger assembly driver middle	Ea	\$37.69
4875	58-59 Hanger assembly passenger middle	Ea	\$37.69
4284	60-64 Hanger assembly driver middle	Ea	\$37.69
4283	60-64 Hanger assembly passenger middle	Ea	\$37.69

<i>Rear (Steel)</i>			
4789	58-59 Hanger assembly fits both sides rear	Ea	\$31.08
5675	59-60 St Wagon, Sedan Del & El Camino hanger assembly		

**All prices subject to change without notice. Any installed part is not returnable**

# Page 84 Show-Cars.com 1-24 Catalog

5676	driver rear . . . . . Ea	\$31.08
	59-60 St Wagon, Sedan Del & El Camino hanger assembly	
	passenger rear . . . . . Ea	\$31.05
4792	60 Hanger assembly driver rear OEM style . . . Ea	\$38.54
4791	60 Hanger assembly passenger rear OEM style Ea	\$38.54
4286	61-64 Hanger assembly driver rear . . . . . Ea	\$31.39
4285	61-64 Hanger assembly passenger rear . . . . . Ea	\$31.39
5529	65-66 Hanger assembly passenger rear corner . Ea	\$38.54
5530	65-66 Hanger assembly driver rear corner . . . Ea	\$38.54
6582	65-68 Hanger passenger 396-427/425 hp . . . . . rear of wheel	
	. . . . . Ea	\$38.54
6583	65-68 Hanger driver 396-429/425 hp rear of wheel.	
	. . . . . Ea	\$38.54

## Front (Stainless Steel)

4873SS	58-59 Weld on bracket driver front . . . . . Ea	\$55.00
4280SS	60-64 Weld on bracket driver front . . . . . Ea	\$55.00
4282SS	58-64 Hanger assembly driver front . . . . . Ea	\$60.50
4874SS	58-59 Hanger assembly passenger front. . . . . Ea	\$99.00
4281SS	60-64 Hanger assembly passenger front . . . . . Ea	\$99.00

## Middle (Stainless Steel)

4876SS	58-59 Hanger assembly driver middle . . . . . Ea	\$74.80
4875SS	58-59 Hanger assembly passenger middle . . . Ea	\$74.80
4284SS	60-64 Hanger assembly driver middle . . . . . Ea	\$74.80
4283SS	60-64 Hanger assembly passenger middle. . . . . Ea	\$74.80

## Rear (Stainless Steel)

4789SS	58-59 Hanger assembly fits both sides rear . . . Ea	\$62.15
4792SS	60 Hanger assembly drive rear OEM style . . . . . Ea	\$77.00
4791SS	60 Hanger assembly passenger rear OEM style Ea	\$77.00
4286SS	61-64 Hanger assembly driver rear . . . . . Ea	\$62.70
4285SS	61-64 Hanger assembly passenger rear . . . . . Ea	\$62.70

## EXHAUST HANGER KITS FOR CUSTOM APPLICATIONS (2 1/2") . . . . . 06.450

479425	58-59 Steel exhaust hanger kit for dual exhaust Set	\$185.84
4794SS25	58-59 Stainless Steel exhaust hanger kit for dual exhaust	
	. . . . . Set	\$345.99
479625	60 Steel exhaust hanger kit for dual exhaust . . Set	\$204.42
4796SS25	60 Stainless Steel exhaust hanger kit for dual exhaust	
	. . . . . Set	\$345.99
428825	61-64 Steel exhaust hanger kit for dual exhaust	
	. . . . . Set	\$204.42
4288SS25	61-64 Stainless Steel exhaust hanger kit for dual exhaust	
	. . . . . Set	\$345.99

## 58 CROSS OVER PIPES . . . . . 06.690

4302	348 Stainless Steel . . . . . Ea	\$257.00
4303	348 Aluminized Steel . . . . . Ea	\$201.00
4306	283 Stainless Steel . . . . . Ea	\$257.00
4307	283 Aluminized Steel . . . . . Ea	\$201.00

4314	283/348 Cross over pipe extension stainless steel driver side	
	. . . . . Ea	\$103.00
4315	283/348 Cross over pipe extension aluminized steel driver side	
	. . . . . Ea	\$59.00
4310	283/348 Cross over pipe extension stainless steel passenger side	
	. . . . . Ea	\$103.00
4311	283/348 Cross over pipe extension aluminized steel passenger side	
	. . . . . Ea	\$59.00

## 6 CYLINDER DOWN PIPES . . . . . 6.190

4322	58 6 Cyl down pipe Stainless Steel . . . . . Ea	\$197.00
4323	58 6 Cyl down pipe Aluminized steel . . . . . Ea	\$102.00
4358	59 6 Cyl down pipe Stainless Steel . . . . . Ea	\$197.00
4359	59 6 Cyl down pipe Aluminized Steel . . . . . Ea	\$102.00
4415	60-64 6 Cyl down pipe Stainless Steel . . . . . Ea	\$197.00
4416	60-64 6 Cyl down pipe Aluminized Steel . . . . . Ea	\$102.00

## SMALL BLOCK "Y" PIPES-SINGLE EX-HAUST . . . . . 06.720

4318	58-64 Y Pipe Stainless Steel . . . . . Ea	\$267.00
4319	58-64 Y Pipe Aluminized Steel . . . . . Ea	\$163.00
4439	58-64 Y Pipe extension Stainless Steel . . . . . Ea	\$103.00
4440	58-64 Y Pipe extension Aluminized Steel . . . . . Ea	\$80.00

## DOWN PIPES FOR DUAL EXHAUST (EX-HAUST MANIFOLD TO MUFFLER). 06.190

4350	59-64 2" Small block Stainless Steel driver side	
	. . . . . Ea	\$156.00
4354	59-64 2" Small block Stainless Steel passenger side down pipe	
	. . . . . Ea	\$156.00
4351	59 64 2" Aluminized Steel driver side . . . . . Ea	\$80.00
4355	59-64 2" Small block Aluminized Steel Passenger side down pipe	
	. . . . . Ea	\$80.00
8865	59-64 2-1/2 Small block stainless steel driver side	
	. . . . . Ea	\$156.00
8866	59-64 2-1/2" Small block stainless steel passenger side	
	. . . . . Ea	\$156.00
8867	59-64 2-1/2" Small block aluminized driver . . side	
	. . . . . Ea	\$93.50
8868	59-64 2-1/2 " Small block aluminized passenger side	
	. . . . . Ea	\$93.50
4407	59-64 348/409 2" Stainless steel driver side down pipe	
	. . . . . Ea	\$156.00
4411	59-64 348/409 2" Stainless steel passenger side	
	. . . . . Ea	\$156.00
4408	59-64 348/409 2" Aluminized steel driver side down pipe	
	. . . . . Ea	\$80.00
4412	59-64 348/409 2" Aluminized steel passenger side	
	. . . . . Ea	\$80.00
4382	59-64 348/409 2 1/2" Stainless steel driver side	
	. . . . . Ea	\$156.00
4386	59-64 348/409 2 1/2" down pipe Stainless steel passenger side	
	. . . . . Ea	\$156.00
4383	59-64 348/409 2 1/2" Aluminized steel driver side down	

Go to Show-Cars.com for updates and many more pictures

# 507-233-1958 Fax 507-354-1959 1-24 Catalog 85

4387	pipe	..... Ea	\$93.50
	59-64 348/409 2 1/2" down pipe Aluminized steel passenger side	..... Ea	\$93.50
4399	62-64 Down pipe for Hi performance 409 (Ex Manifold 3822925) Stainless steel driver side	..... Ea	\$190.00
4403	62-64 Down pipe for Hi performance 409 (Ex Manifold 3822926) Stainless steel passenger side	..... Ea	\$190.00
4400	62-64 Down pipe for Hi performance 409 (Ex Manifold 3822925) Aluminized steel driver side	..... Ea	\$93.50
4404	62-64 Down pipe for Hi performance 409 (Ex Manifold 3822926) Aluminized steel passenger side	..... Ea	\$93.50
8852	2.5" aluminized steel exhaust cutout	..... Ea	\$35.00

## TAIL PIPES (2")

4335	58-59 Aluminized steel 2" tall pipe driver side 2 pc	..... Ea	\$125.00
4339	58-59 Aluminized steel 2" tail pipe passenger side 2 pc	..... Ea	\$125.00
7898	60 Aluminized steel 2" tail pipe driver side 2 pc	..... Ea	\$125.00
7899	60 Aluminized steel 2" tail pipe passenger side 2 pc	..... Ea	\$125.00
9217	60 Aluminized steel 2" tail pipe driver side 1pc	Ea	\$125.00
9218	60 Aluminized steel 2" tail pipe passenger side 1 pc	..... Ea	\$125.00
4423	61-64 Stainless Steel 2" tail pipe driver side 1 pc	..... Ea	\$280.00
4427	61-64 Stainless Steel 2" tail pipe passenger side 1 pc	..... Ea	\$280.00
4424	61-64 Aluminized steel 2" tail pipe driver side 1 pc	..... Ea	\$112.00
4428	61-64 Aluminized steel 2" tail pipe passenger side 1 pc	..... Ea	\$112.00
9210	61-64 Aluminized steel 2" tail pipe station wagon driver side 1 pc	..... Ea	\$112.00
9211	61-64 Aluminized steel 2" tail pipe station wagon passenger side 1 pc	..... Ea	\$112.00
4431	61-64 Stainless steel 2" tail pipe driver side 2 pc	..... Ea	\$280.00
4435	61-64 Stainless steel 2" tail pipe passenger side 2 pc	..... Ea	\$280.00
4432	61-64 Aluminized steel 2" tail pipe driver side 2pc	..... Ea	\$132.00
4436	61-64 Aluminized steel 2" tail pipe passenger side 2 pc	..... Ea	\$132.00

## TAIL PIPES, STRAIGHT OUT BACK (2")

*Note: straight out back tail pipes my require modifications*

4432B	60-64 Aluminized driver 2" tail pipe straight out back 2 pc		
-------	---	--	--

4436B	60-64 Aluminized passenger 2" tail pipe staight out back 2 pc	..... Ea	\$140.00
		..... Ea	\$140.00

## TAIL PIPES (2 1/2")

*Note: 2 1/2" tail pipes may need some adjustments because of the different suspension or tire size you may have on your car.*

442325	61-64 Stainless 2.5" tail pipe driver side 1pc	Ea	\$320.00
442725	61-64 Stainless 2.5" tail pipe passenger 1pc	... Ea	\$320.00
442425	61-64 Aluminized 2.5" tail pipe driver side 1pc	Ea	\$199.00
442825	61-64 Aluminized 2.5" tail pipe passenger 1pc	Ea	\$199.00
921025	61-64 Aluminized 2.5" tail pipe driver side station wagon 1pc	..... Ea	\$199.00
921125	61-64 Aluminized 2.5" tail pipe passenger side station wagon 1 pc	..... Ea	\$199.00
443125	61-64 Stainless 2.5" tail pipe driver side 2pc	.. Ea	\$320.00
443525	61-64 Stainless 2.5" tail pipe passenger 2pc	.. Ea	\$320.00
443225	61-64 Aluminized 2.5" tail pipe driver side 2pc	Ea	\$199.00
443625	60-64 Aluminized 2.5" tail pipe passenger 2pc	Ea	\$199.00

## TAIL PIPES, STRAIGHT OUT BACK (2-1/2")

443225B	60-64 Aluminized 2.5" tail pipe driver straight out back 2pc	..... Ea	\$205.00
443625B	60-64 Aluminized 2.5" tail pipe passenger straight out back 2pc	..... Ea	\$205.00

## TAIL PIPES, FRONT OF REAR WHEEL (2 1/2")

8869	60-64 Aluminized 2.5" tail pipe driver exits in front of rear wheel	..... Ea	\$165.00
8870	60-64 Aluminized 2.5" tail pipe passenger exits in front of rear wheel	..... Ea	\$165.00

**All prices subject to change without notice. Any installed part is not returnable**

# Cooling & Heating. 07

## HEATER DELETE.....07.010

6637	58-62 Heater cable delete plug . . . . .	Ea	\$7.76
6636	59-62 Heater blower delete with screws . . . . .	Ea	\$50.60
6635	61-62 Heater box delete plate with screws . . . . .	Ea	\$116.60
3026	61-62 Gasket kit . . . . .	Set	\$25.95
6638	61-62 Interior heater/defroster control delete . . . . .	Ea	\$83.60



## Show Cars Part #5613

5613	61-62 Heater delete kit . . . . .	Set	\$280.50
6659	63-70 Heater box delete plate with screws . . . . .	Ea	\$116.50
6660	63-70 Heater blower delete plate with screws . . . . .	Ea	\$61.60
6661	63-70 Heater box delete seal . . . . .	Ea	\$9.6
6662	63-70 Heater blower delete seal . . . . .	Ea	\$6.60
6663	63-64 Interior Heater/defroster control delete . . . . .	Ea	\$96.80
5614	63-64 Heater delete kit . . . . .	Set	\$301.29
7298	66-67 Chevelle heater control delete . . . . .	Ea	\$83.60
7074	Water pump & intake delete plug with GM Markings . . . . .	Ea	\$13.20
7075	Water pump & intake delete plug with GM Markings, aluminum . . . . .	Ea	\$20.90
8327	Water pump & intake delete plug with GM markings, stainless steel . . . . .	Ea	\$19.00

## HEATER HOSE FITTINGS.....07.030

1079	59-up Heater hose fitting 5/8 (intake manifold) . . . . .	Ea	\$9.90
1079A	58-up Heater hose fitting 3/4 (water pump) . . . . .	Ea	\$9.90

## BY-PASS HOSE.....07.070

1096	58-65 348-409 with correct GM number . . . . .	Ea	\$14.25
1096A	58-61 348 with 3x2 and Offenhauser intakes with correct GM part number . . . . .	Ea	\$17.00
1096B	58-65 348/409 By pass hose clamps . . . . .	Set	\$17.60
1096C	65-70 Big Block no markings . . . . .	Ea	\$14.30
7483	58-65 By-pass hose fitting for Edelbrock intakes and water		

pumps . . . . . Ea \$8.00

## BLOWER MOTOR.....07.140

3214	58-64 Blower motor resistor without air conditioning . . . . .	Ea	\$19.95
5299	64-76 Heater blower motor wo/air(Note: case may differ from original unit) . . . . .	Ea	\$49.99
5300	64-76 Heater blower motor with air . . . . . (Note: case may differ from original unit) . . . . .	Ea	\$49.50

## HEATER HOSES.....07.150

*The following hoses have the correct GM markings*

1162	58 ribbed 3/4 inch, 1 ea, 48",38", 18" . . . . .	Set	\$42.95
1162AP	58 plain 3/4 inch 100" long - printed GM logo . . . . .	Set	\$42.95
1162E	58 reinforcement springs . . . . .	Ea..	\$5.75
1162B	59-64 ribbed 3/4 inch & 5/8 inch,45"long . . . . .	Set	\$42.95
1162BP	59-64 plain 3/4 inch & 5/8 inch,45" long - printed GM logo . . . . .	Set	\$42.95

## HEATER CONTROLL VALVE.....07.150

8181	61-62 Heater control valve new reproduction . . . . .	Ea	\$109.00
------	---	----	----------

## HEATER CORE HOSES.....07.150

1165A	58 Heater core to valve hose . . . . .	Ea	\$8.75
1165	61-62 Heater core to valve hose . . . . .	Ea	\$24.00

## HOSE CLAMP KITS.....07.150

1096B	58-65 By pass hose clamps . . . . .	Set	\$17.60
1162C	55-58 includes 4 spring type radiator hose clamps and 4 spring type heater hose clamps . . . . .	Kit	\$25.00
1162D	59-67 includes 4 tower type radiator hose clamps and 4 spring type heater hose clamps,small block . . . . .	Kit	\$24.00



## Show Cars Part #5061B

5061B	59-67 348/409 Hose clamp Kit 4-radiator hose clamp tower type & 4 heater hose clamp spring type . . . . .	Set	\$24.00
5062A	67-72 Big Block hose clamp kit . . . . .	Set	\$26.00

Go to Show-Cars.com for updates and many more pictures

# 507-233-1958 Fax 507-354-1959 1-24 Catalog 87

## HOSE RETAINERS..... 07.150

1190	55-64 Inner fender heater hose retainer (bolt on)	Ea	\$9.95
3216	58-64 Screw for part #7-1190	Ea	\$3.00
1189	63-75 Inner fender heater hose retainer (clip on)	Ea	\$5.99

## HOSE CLAMPS ..... 07.150

1096B	58-65 By pass hose clamps	Set	\$17.60
5003	59-72 Upper radiator hose tower clamp	Ea	\$5.00
5004	59-72 Lower radiator hose tower clamp - small block	Ea	\$5.00
5059A	59-72 348/409 Lower radiator hose tower clamp - big block	Ea	\$5.00
8367	58-66 15/16 Wire hose clamp for 5/8 hose	Ea	\$5.00
8368	58-66 1" Wire hose clamp for 3/4 hose	Ea	\$5.00
5006	67-Up 5/8" Heater hose tower clamp	Ea	\$5.00
5007	67-Up 3/4" Heater hose tower clamp	Ea	\$5.00

## HEATER CORE..... 07.151

8109	58 Aluminum heater core	Ea	\$135.00
6995	62 Heater core 9.500x6.500x2.500	Ea	\$151.00
5452	63-68 Heater core without A/C 9.375x6.375x2.500	Ea	\$151.00

## HEATER HOSE MISC..... 07.190

1190	55-64 Black inner fender heater hose retainer, bolt on	Ea	\$9.95
3216	58-64 Heater hose clamp screw, zinc	Ea	\$3.00
1176	59-62 Heater hose H valve with clamps	Set	\$31.90
1189	63-75 Black inner fender heater hose retainer, clip on	Ea	\$5.99

## OVERFLOW TUBES..... 07.230

2001	58-64 3/8 inch with clamp	Set	\$11.50
2002	58-64 5/16 inch with clamp	Ea	\$11.50

## HEATER HOSE SEALS ..... 07.270

3025	61-62 Heater hose sponge rubber block	Ea	\$37.50
3024	58-64 Heater hose sponge rubber fitting for all except 61-62 without air conditioning	Pr	\$3.63

## WATER TEE ..... 07.310



**Show Cars Part #4207**

**All prices subject to change without notice. Any installed part is not returnable**

4207	58-61 348 3x2 Bypass and heater hose T fitting goes in intake manifold	Ea	\$45.00
6684	348/409 Water tee for Offenhauser intake	Ea	\$48.50
4872	58-64 By-pass fitting intake manifold inlet and water pump	Ea	\$9.68

## GASKETS..... 07.350

4027	58 Heater box gasket	Set	\$24.95
5981	58-64 Blower motor gasket	Ea	\$5.30
6644	59-60 Heater box gasket outer w/o AC	Ea	\$8.00
3026	61-62 Heater box gasket kit	Set	\$20.95
6646	61-62 Under hood heater box seal	Ea	\$12.50
6647	61-62 Under dash heater box seal	Ea	\$12.50
6648	61-62 Blower motor to heater box seal kit, 4 pcs, includes blower motor seal	Kit	\$12.50
3027	61-64 Cowl vent sponge seal	Pr	\$11.32
4827	63-64 Heater Box Gasket Without Air (outer)	Ea	\$19.97
4828	63-64 Heater Box Gasket Without Air (inner)	Ea	\$14.00
5896	63-64 Heater box gasket with air, inner and outer	Pr	\$32.50

## FAN SHROUD..... 07.350

7428	59-62 Small block fan shroud	Ea	\$165.00
8570	63 Small block fan shroud	Ea	\$Call
8571	64 Small block fan shroud	Ea	\$Call
7783	58 348 Fan shroud	Ea	\$399.90



**Show Cars Part #7784**

7784	59-63 348/409 fan shroud	Ea	\$399.90
7785	64 409 Fan shroud (reconditioned original)	Ea	\$550.00
8839	65 409 Fan shroud, also 64-65 Chevelle and El Camino	Ea	\$73.00
7812	59-63 348/409 Z-11 Aluminum fan shroud	Ea	\$516.90
6992	59-72 Spal dual 10" electric high performance fan/shroud combo for Northern cross flow radiators	Ea	\$289.75
6997	59-72 Spal dual 10" electric High performance fan/shroud combo for original radiators	Ea	\$299.00
9159	59-63 Spal dual 10" electric High Performance fan/shroud combo for 8801 and 8223 modified radiators	Ea	\$299.00
7377	58-64 Electric thermo fan, 5 blade with hardware	Kit	\$64.95
6993	Relay for high performance electric fans	Ea	\$28.00

# Page 88 Show-Cars.com 1-24 Catalog

6994	Automatic thermostat switch for electric high performance fans	Ea	\$38.52
5356	59-63 409 Fan shroud bolts,(12 pc)	Set	\$13.50
3035	59-63 Radiator fan shroud spacers	Set	\$10.95

## AIR CONDITIONING . . . . . 07.470

3034	58-64 Air conditioning hose clamps-6 pieces	Set	\$11.99
3187	58-64 Cable clamp screw	Set	\$2.75

## RADIATOR ACCESSORIES . . . . . 07.470

6049	58-64 Radiator drain fitting	Ea	\$9.95
3085	58-64 Radiator cap 13 lbs	Ea	\$15.10
3086	58-64 Radiator cap 15 lbs	Ea	\$19.80
7223	58-64 13 lb correct AC Delco radiator cap	Ea	\$53.90
7224	58-64 15 lb correct AC Delco radiator cap	Ea	\$53.90
8812	Radiator transmission cooler delete plug	Pr	\$5.00

## RADIATOR HOSES NO NUMBER . . 07.510

5978	58 348 Molded upper radiator hose	Ea	\$29.50
5979	59-64 All V8 Molded upper radiator hose	Ea	\$28.95
7354	59-70 Molded upper hose for cross flow radiator	Ea	\$35.00
6077	59-64 Small block molded lower radiator hose	Ea	\$18.65
5977	58-64 348/409 Molded lower radiator hose	Ea	\$28.95

## RADIATOR HOSES WITH GM NUMBERS . 07.510

*Beware of incorrectly printed hoses! Ours have the correct numbers and correct markings.*

### UPPER HOSES

3742375	58 283 all upper except fuel injection	Ea	\$21.00
3750390	58 348 3x2 upper	Ea	\$39.50
3755917	58 348 1x4 upper	Ea	\$39.50

3760180	59-61 6 cylinder upper	Ea	\$28.60
3754915	59-64 283-327 Upper	Ea	\$29.95
3753748	59-61 348 3x2 Upper	Ea	\$28.60

3780334	60 348 1x4 with automatic and HD radiator	Ea	\$29.95
3780334	61-64 409 upper without air	Ea	\$21.00
3834733	63-64 409 with air	Ea	\$28.60

### LOWER HOSES

3743077	58 6 Cylinder	Ea	\$28.60
3742376	58 283	Ea	\$24.99
3742374	58 348	Ea	\$28.60

3753749	59 6 cylinder first design	Ea	\$31.90
3767748	59 6 cylinder second design	Ea	\$31.90
3826901	59-61 283	Ea	\$29.95
3753752	59-64 348/409	Ea	\$31.95

3753749	60-61 6 cylinder without air	Ea	\$31.90
3753749	60-61 6 cylinder w air first design	Ea	\$31.90
3767748	60-61 6 cylinder w/o hd radiator and w/o air	Ea	\$31.90
3767748	60-61 6 cylinder w/air second design	Ea	\$31.90

3795014	62 6 cylinder	Ea	\$31.50
3767748	62 6 cylinder w/o air with powerglide and hd radiator	Ea	\$31.90

3743749	62 6 cylinder with air, hd radiator and powerglide	Ea	\$31.90
---------	--	----	---------

3826899	62-64 283/327 w/ hd radiator (except hi perf 327)	Ea	\$31.95
---------	---	----	---------

3826900	62-64 327 w/ air(except hi perf 327)	Ea	\$28.60
---------	--------------------------------------	----	---------

382YY5	63-64 6 cylinder w/air	Ea	\$28.60
--------	------------------------	----	---------

3788474	63-64 6 cylinder without air	Ea	\$28.60
---------	------------------------------	----	---------

## BRASS/COPPER RADIATORS . . . . 07.550

*By combining the technology of the 2000's with the original look of the 1950's and 60's we have produced a 4 core radiator that is both exceptional in appearance and highly efficient. Die stamped top tank and filler neck with 3/8" over-flow tube.*

*(Add \$100.00} for Harrison Logo)*

*Warranty: 1 year from date of invoice. (Not from installation date.)*

3413	58 348 Standard trans (3 row)	Ea	\$638.75
6248	58 348 Auto trans (3 row)	Ea	\$700.00
8791	58 348 Standard trans (4 row) will not fit cars with front sway bar	Ea	\$740.00
8792	58 348 Auto trans (4 row) will not fit cars with front sway bar	Ea	\$775.00



**Show Cars Part #3931**

3931	59-63 348/409 Standard trans	Ea	\$700.00
3932	59-63 348/409 Auto trans	Ea	\$775.00

**Go to Show-Cars.com for updates and many more pictures**



# 507-233-1958 Fax 507-354-1959 1-24 Catalog 89

8801	59-63 348/409 Auto trans modified for use with modern steering boxes . . . . .	Ea	\$775.00
3934	64 409 Standard trans . . . . .	Ea	\$700.00
3933	64 409 Auto trans . . . . .	Ea	\$775.00
6361	65 409/396 Auto trans . . . . .	Ea	\$775.00
6940	65 409/396 Standard trans . . . . .	Ea	\$700.00
6362	66 396 Auto trans . . . . .	Ea	\$775.00
6941	66 396 Standard trans . . . . .	Ea	\$700.00
6363	67 396/427 Auto trans . . . . .	Ea	\$775.00
6942	67 396/427 Std trans . . . . .	Ea	\$700.00
6364	68 396/427 Auto trans . . . . .	Ea	\$775.00
6943	68 396/427 Standard trans . . . . .	Ea	\$700.00
6365	69-70 396/427 Auto trans . . . . .	Ea	\$775.00
6944	69-70 396/427 Standard trans . . . . .	Ea	\$700.00



## THERMOSTAT HOUSING . . . . . 07.750

5490	55-65 Chrome thermostat housing . . . . .	Ea	\$17.50
5489	55-68 Cast iron thermostat housing . . . . .	Ea	\$22.50
6584	55-65 Cast Aluminum thermostat housing w/ GM part # . . . . .	Ea	\$90.00
3228	58-65 Thermostat housing bolts . . . . .	Kit	\$4.54

## ALUMINUM RADIATORS . . . . . 07.560

6991	59-72 Chevrolet Northern cross-flow, 2 -1" rows . . . . .	Ea	\$408.99
8134	59-72 Top dress cap for Northern radiator . . . . .	Ea	\$15.95
9220	59-63 Aluminum radiator, for automatic or standars transmissions, cooling line plugs included. . . . .	Ea	\$275.00
8223	59-63 Aluminum radiator modified for modern steering boxes For automatic or standard trans. Incudes cooling line delete plugs, 2 1" rows . . . . .	Ea	\$664.95

*Desert Coolers are made in the USA. 13 fins per inch, tube spacing is 1/2" Uses stock shroud and fan. 1 year warranty for leaks from the date of purchase.*

8782	59-63 Desert Cooler 2 1" rows . . . . .	Ea	\$664.95
8783	64 Desert Cooler 2 1" rows . . . . .	Ea	\$664.95

## Show Cars Part #8782

## ALUMINUM RADIATORS, GRIFFIN. 07.560

Aluminum radiators with 2- 1" rows.

5958	58 348 Standard transmission . . . . .	Ea	\$490.00
6252	63 409 Auto transmission . . . . .	Ea	\$510.00
6254	64 409 Auto transmission . . . . .	Ea	\$510.00
<i>Aluminum radiators with 2- 1 1/4" rows</i>			
6258	59-62 348/409 Auto transmission . . . . .	Ea	\$570.00

## HEATER AIR DEFLECTOR . . . . . 07.600

2104	61-62 Heater air deflector . . . . .	Ea	\$89.95
------	--------------------------------------	----	---------

**All prices subject to change without notice. Any installed part is not returnable**

# Page 90 Show-Cars.com 1-24 Catalog

## Glass . . . . . 08

### WINDSHIELD WASHER AND WIPERS ...

#### 08.050

8741	55-58 Windshield wiper transmission bezel nuts, chrome ..... Pr	\$8.00
5070	59-62 Windshield wiper motor and wiper arm mounting screw countersunk with lock washer (motor requires 4, Ea wiper arm requires 3)..... Ea	\$2.20
8796	59-62 Wiper motor grommet..... Ea	\$9.00
5540	59-72 Single speed wiper motor seal..... Ea.	\$5.50
5427	61-62 Windshield washer delete plugs (2).... Ea	\$1.10
5597	61-67 Washer jar and bracket..... Ea	\$42.90
5492	Washer jar cap..... Ea	\$6.50
1071	62-63 Windshield washer tank bracket..... Ea	\$15.50
1072A	62-65 Tank & cap..... Ea	\$18.50
1073	62-72 Pick up filter..... Ea	\$4.95
6711	62-64 2 speed wiper motor seal..... Ea	\$12.95
5585	63-up Windshield wiper motor gasket..... Ea	\$6.54
5586	63-up windshield wiper motor clip..... Ea	\$3.00
5603	63-up Wiper motor mounting grommet.....	\$5.50
1071A	64 Windshield washer tank bracket..... Ea	\$22.70
7925	58 Windshield washer hose nozzle..... Pr	\$18.50
7926	59-60 Windshield washer hose nozzle..... Pr	\$48.60
7927	61-62 Windshield washer hose nozzle..... Pr	\$48.60
7928	63-64 Windshield washer hose nozzle..... Pr	\$48.60
7929	65-66 Windshield washer hose nozzle..... Pr	\$48.60
7930	67 Windshield washer hose nozzle..... Pr	\$48.60
7931	68 Windshield washer hose nozzle..... Pr	\$48.60
7932	69 Windshield washer hose nozzle..... Pr	\$48.60
7933	70 Windshield washer hose nozzle..... Pr	\$48.60
7310	58 Wiper arm passenger..... Ea	\$21.50
7311	58 Wiper arm driver..... Ea	\$21.50
6839	59-60 Wiper arms, sedan, wagon, El Camino passenger. ..... Ea	\$20.00
6840	59-60 Wiper arms, sedan, wagon, El Camino driver. ..... Ea	\$20.75
6841	59-60 Wiper arms, Hardtop & Conv. Passenger. ..... Ea	\$20.75
6842	59-60 Wiper arms, Hardtop & Conv. Driver. ... Ea	\$20.75
6843	61-64 Wiper arm, all..... Ea	\$17.50
8345	63 Wiper motor transmission arm..... Ea	\$105.00
8346	64 Wiper motor transmission arm..... Ea	\$105.00
7309	58 Wiper blade..... Ea	\$12.00
6844	59-67 Wiper blade..... Ea	\$17.50

### WINDSHIELD WASHER MISC. .... 08.090

1073	62-65 Windshield washer pick up filter..... Ea.	\$4.95
------	---	--------

### WINDSHIELD WASHER HOSE KITS 08.150

2015	58	..... Set	\$18.10
2016	59	..... Set	\$12.05
2017	60	..... Set	\$12.05
2018	61	..... Set	\$12.05
2019	62	..... Set	\$12.05
2020	63	..... Set	\$12.05
7535	61-64 Windshield washer hose upper clip..... Ea	\$9.85	
7536	61-64 Windshield washer hose clip driver side ..... Ea	\$13.20	

### POWER WINDOWS ..... 08.180



### Show Cars Part #8183

8182	Universal flat glass power window kit less wires and switches ..... Kit	\$225.00
8183	Universal flat glass power window kit with wires and switches ..... Kit	\$299.00
6804	58 2D HT power window kit..... Ea	\$749.00
6804V	58 2D HT power vent window kit..... Ea	\$399.00
6805	58 Conv power window kit..... Ea	\$749.00
6805V	58 Conv power vent window kit..... Ea	\$399.00
6806	59-60 2D HT power window kit..... Ea	\$749.00
6806V	59-60 2D HT power vent window kit..... Ea	\$399.00
6807	59-60 Conv power window kit..... Ea	\$749.00
6807V	59-60 Conv power vent window kit..... Ea	\$399.00
8523	60-68 Replacement power window motor passenger side front and rear..... Ea	\$67.00
8524	60-68 Replacement power window motor driver side front and back..... Ea	\$67.00
6808	61-62 2D HT power window kit..... Ea	\$749.00
6808V	61-62 2D HT power vent window kit..... Ea	\$399.00
6809	61-62 Conv power window kit..... Ea	\$749.00
6809V	61-62 Conv power vent window kit..... Ea	\$399.00
6810	63-64 2D HT power window kit..... Ea	\$769.00
6810	63-64 2D HT power window kit..... Ea	\$749.00

Go to Show-Cars.com for updates and many more pictures

# 507-233-1958 Fax 507-354-1959 1-24 Catalog 91

6810V	63-64 2D HT power vent window kit . . . . .	Ea	\$399.00
6811	63-64 Conv power window kit . . . . .	Ea	\$749.00
6811V	63-64 Conv power vent window kit . . . . .	Ea	\$399.00
7328	58-72 Power window switch (4) . . . . .	Ea	\$63.00
7329	58-72 Power window switch (single) . . . . .	Ea	\$39.95
7330	58 Wiring harness conduit . . . . .	Pr	\$94.95
7331	59-60 Wiring harness conduit . . . . .	Pr	\$94.95
7332	61-62 Wiring harness conduit . . . . .	Pr	\$94.95
7333	63-64 Wiring harness conduit . . . . .	Pr	\$94.95

## WINDOW REGULATORS . . . . . 08.190

7462	59-60 Vent window regulator, passenger . . . . .	Ea	\$223.95
7463	59-60 Vent window regulator, driver . . . . .	Ea	\$223.95
7464	61-64 Vent window regulator, passenger . . . . .	Ea	\$223.95
7465	61-64 Vent window regulator, driver . . . . .	Ea	\$223.95
6615	61-64 Window regulator passenger side . . . . .	Ea	\$84.00
6616	61-64 Window regulator driver side . . . . .	Ea	\$84.00
8193	61-64 Window track stops for one window . . . . .	Pr	\$12.25

8565	53-58 Hardtop window stop in door . . . . .	Ea	\$7.25
8566	41-58 Sedan window stop in door . . . . .	Ea	\$3.00
8567	59-60 Sedan door glass window stop . . . . .	Ea	\$4.00
8568	55-58 Upper door window stop . . . . .	Ea	\$5.00
8569	50-64 Door glass roller stop . . . . .	Ea	\$5.00

## WINDOW HANDLE CRANKS . . . . .

6653	58-64 Interior window handle 58-60 Bel Air and 58-64 Biscayne . . . . .	Ea	\$10.50
6654	58-64 Interior vent window handle, 58-60 Bel Air and 58-64 Window handle, Biscayne. . . . .	Ea	\$10.50
5506	61-64 Window handle . . . . .	Ea	\$13.50
5507	61-64 Vent window . . . . .	Ea	\$9.50

## DOOR GLASS CHANNELS . . . . . 08.190

4866	58 Lower door glass channel - driver side . . . . .	Ea	\$65.95
4865	58 Lower door glass channel - passenger side . . . . .	Ea	\$65.95
6287	59-60 Lower door glass channel - driver side. . . . .	Ea	\$72.50
6286	59-60 Lower door glass channel - passenger side . . . . .	Ea	\$90.00
6287U	59-60 Upper door glass frame, hardtop, driver . . . . .	Ea	\$66.00
6286U	59-60 Upper door glass frame, hardtop, passenger . . . . .	Ea	\$66.00
3394	61-64 Lower door glass channel hardtop - driver side . . . . .	Ea	\$88.00
3395	61-64 Lower door glass channel hardtop - passenger . . . . .	Ea	\$88.00
3396	61-64 Lower door glass channel convertible - driver side . . . . .	Ea	\$88.00
3397	61-64 Lower door glass channel convertible - passenger side . . . . .	Ea	\$88.00
8244	61-62 Upper door glass frame, Bubble Top, -driver side . . . . .	Ea	\$66.00

8245	61-62 Upper door glass frame, Bubble Top-passenger . . . . .	Ea	\$66.00
3394U	61-64 Upper door glass frame hardtop - driver side . . . . .	Ea	\$114.95
3395U	61-64 Upper door glass frame hardtop - passenger side . . . . .	Ea	\$114.95
7466	61-64 Upper door glass frame, convertible - driver side . . . . .	Ea	\$62.00
7467	61-64 Upper door glass frame, convertible - passenger side . . . . .	Ea	\$62.00
7717	61-64 Convertible quarter glass upper channel passenger or driver . . . . .	Ea	\$89.00
8556	61 Impala and 62 Bel Air hardtop quarter glass upper channel . . . . .	Ea	\$79.00
8555	62-64 Hardtop quarter glass upper channel, driver or passenger . . . . .	Ea	\$79.00
3308	58-64 Lower channel rollers & rivets (1 window) . . . . .	Set	\$12.50
6081	58-64 Rear quarter glass rollers and 5/16 rivets, per window . . . . .	Set	\$18.00
6082	58-64 Rear quarter glass rollers and 1/4 rivets, per window . . . . .	Set	\$18.00
3399A	61-62 Impala/BelAir quarter glass vertical seal with metal insert . . . . .	Ea	\$12.65
3398	61-64 Door glass setting tape, 10 foot roll . . . . .	Ea	\$14.25

## GLASS CHANNEL LINERS . . . . . 08.240

8277	58-64 Mohair channel liner 2-5/8 wide . . . . .	Ft	\$8.00
5501	58-64 Mohair Channel Liner, for relining glass runners . . . . .	Per Ft	\$8.00
6355	58-62 Front glass run channel with chrome beading 36" . . . . .	Ea	\$21.50
7294	61-64 Window channel adjustment plates, gaskets & screws, 2 door hardtop . . . . .	Set	\$19.00
5500	63-64 Front door glass run channel liner only, 36" . . . . .	Ea	\$16.83
8373	58-64 Convertible quarter glass channel relining has correct fluted metal backing . . . . .	Pr	\$34.99

## WINDSHIELDS . . . . . 08.500

DW545	1958 Chevy Impala, Pontiac, 2D Sport coupe, convertible. . . . .	Ea	\$292.00
DW547	1958 Chevy Bel Air, Biscayne, Delray sedan, H/T, wagon. . . . .	Ea	\$321.95
DW566	59-60 Chevy Impala, Bel Air, Buick, Olds & Pont, series 98, 2/4D Hard top and convertible. . . . .	Ea	\$443.25
DW567	59-60 Chevy Biscayne, Bel Air, Olds 2/4D SD wagon, El Camino Pickup . . . . .	Ea	\$353.00
DW608	61-62 Chevy Impala, Buick, Olds, & Pont. 2D Har Top, Convertible (non-bubbletop style). . . . .	Ea	\$295.00
DW607	61-62 Chevy Impala, Bel Air, Buick, Olds, Pont 2/4D Hard Top, sedan (bubble top style) . . . . .	Ea	\$339.75
DW609	61-62 Chevy Impala, Bel Air, Biscayne, Olds, Buick, Pontiad 2 and 4 door sedan, 4 door hardtop, bubbletop. EA . . . . .	Ea	\$312.00

**All prices subject to change without notice. Any installed part is not returnable**

# Page 92 Show-Cars.com 1-24 Catalog

DW626	63-64 Chevy Impala, Buick, Olds, Pont 2D Hard Top. ..... Ea	\$189.00
DW628	63-64 Chevy Impala 4D Hard Top..... Ea	\$252.10
DW631	63-64 Chevy Impala, Biscayne, Buick, Olds, Pont. 2/4D sedan, station wagon..... Ea	\$245.00

## VENT GLASS ..... 08.520

2200	58 Chevy Impala 2D Hard Top, Convertible vent glass clear ..... Ea	\$33.00
2230	59-60 Chevy Impala 2D Hard Top, Convertible vent glass clear ..... Ea	\$27.44
2237T	59-60 Chevy El Camino Pickup vent glass clear ..... Ea	\$20.84
2335	61-62 Chevy Impala 2D Hard Top, Convertible vent glass clear ..... Ea	\$30.35
2340T	61-62 Chevy Impala, Bel Air, Biscayne 2/4D sedan station wagon vent glass clear ..... Ea	\$19.74
2434	63-64 Chevy Impala 2D Hard Top, Convertible vent glass clear ..... Ea	\$27.44

## DOOR GLASS ..... 08.540

2199T	58 Chevy Impala 2D hardtop, convertible door glass clear ..... Ea	\$45.00
2231	59-60 Chevy Impala 2D Hard Top ckear fiir gkass ..... Ea	\$43.95
2235	59-60 Chevy Impala convertible door glass clear ..... Ea	\$43.95
4211T	59-60 Chevy El Camino truck door glass slear Ea	\$43.95
4310G	61-62 Chevy Impala, Bel Air 2D Hard Top (Bubble Top) door glass clear ..... Ea	\$43.95
2338	61-64 Chevy Impala Convertible door glass clear ..... Ea	\$44.39
2401	62-64 Chevy Impala 2D Hard Top door glass clear ..... Ea	\$44.39

## QUARTER GLASS ..... 08.560

2201T	58 Chevy Impala convertible quarter glass clear ..... Ea	\$35.44
2203T	58 Chevy Impala Coupe quarter glass clear . . . Ea	\$35.44
2232G	59-60 Chevy Impala 2D Hard Top quarter glas clear ..... Ea	\$35.44
2236G	59-60 Chevy Impala convertible..... Ea	\$31.95
DQ3001	59-60 Chevy station wagon RH (laminated) quarter glass clear ..... Ea	\$389.84
DQ3002	59-60 Chevy station wagon LH (laminated) quarter glass clear ..... Ea	\$389.84
4319G	61-62 Chevy Impala, Bel Air 2d Hard Top (Bubble Top) quar- ter glass clear..... Ea	\$43.49
2402	62-64 Chevy Impala 2D Hard Top quarter glass cleat ..... Ea	\$35.44
2339	61-64 Chevy Impala Convertiblw quarter glass clear ..... Ea	\$35.44

## BACK GLASS ..... 08.580

DB546	58 Chevy Impala 2D coupe (laminated, smoke available) ..... Ea	\$341.77
-------	---	----------

DB548	58 Chevy Bel Air sedan ( laminated) . . . . . Ea	\$379.95
DB549	58 Chevy Bel Air, Biscayne, Delray (laminated) ..... Ea	\$379.95
DB3005	59-60 Chevy Bel Air, Biscayne, Olds Super 88 2/4D sedan ..... Ea	\$349.95
DB3006	59-60 Chevy Impala, Bel Air, Olds, Cadi, Pont, Buick 2D Hard Top ..... Ea	\$269.95
DB3009	59-60 Chevy El Camino pickup (tempered & laminated) ..... Ea	\$244.95
DB3098	61-62 Chevy Impala, Olds, Pont, 2D H/T Bubble top (tem- pered, smoke available) . . . . . Ea	\$329.95
DB3099	61-62 Chevy Impala 4D hard top (tempered,smoke available) ..... Ea	\$347.00
DB3129	62-64 Chevy Impl, Olds, Pont 2d H/T non bubble top (tem- pered available)..... Ea	\$219.95
DB3130	62-64 Chevy Impala, Biscayne, Bel Air 2D, 4D sedan (lami- nated, smoke available)..... Ea	\$315.65
DB3163	63-64 Chevy Impala 4D hard top (tempered).. Ea	\$312.36
DB3168	63-64 Chevy Impala, Bel Air Buick Lesabre, Olds Dynamic 88, Pontiac Catalina, Bonneville Station Wagon Back Glass (Tempered) . . . . . Ea	\$379.95

*Glass is drop shipped from our warehouse in California. Flat glass is shipped via UPS. Windshields and back glass is shipped via truck.*

*Call for a pricing on windshields, back glass, quarter glass and door glass for other classic cars. 507-233-1958*

**Go to Show-Cars.com for updates and many more pictures**

**Undercarriage . . . 09**  
**BODY PLUG KITS . . . . . 09.050**



**Show Cars Part #1051A**

- 1051A 58, 46 Plugs to set. . . . . Set \$129.00
- 1051B 59-60, 52 Plugs to set . . . . . Set \$146.00
- 1051D 61, 12 Plugs to set. . . . . Set \$29.15
- 1052 62, 16 Plugs to set . . . . . Set \$29.15
- 1053 63 Early body plug kit 14 plugs w/ 7/8in plugs at front of rear wheel opening cowl plug is 2.5in . . . . . Set \$29.15
- 1053A Late 63-64 body plug kit 14 pugs with 3/4in plugs at front of rear wheel opening cowl plug is 2 3/4in . . . . . Set \$29.15

**DRAIN COVERS . . . . . 09.090**

- 4028 58 Splash pan seals . . . . . Ea \$14.85
- 1054 61-71 Floor pan drain cover, oval (steel) . . . . Ea \$7.26



**Show Cars Part #1055**

- 1055 61-71 Floor pan drain cover, oval (steel) 24 pieces . . . . . Set \$42.90
- 8179 61-71 Floor pan drain cover (stainless steel) . . Ea \$14.52
- 8180 61-71 Floor pan drain cover (stainless steel) 24 pieces . . . . . Set \$99.00
- 1051 61-72 Rocker Drain cover (Rubber) . . . . . Pair \$12.00

**SHIMS . . . . . 09.130**

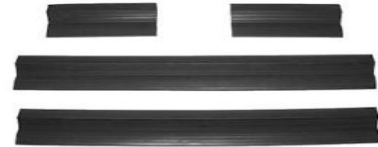
- 1064 58-72 Body to frame shims for rubber mount, (10PCS) . . . . . Set \$25.00

- 1064A 58-72 Body to frame shims without rubber mount, (10pcs) . . . . . Set \$24.00
- BODY GROUND STRAP . . . . . 09.170**



**Show Cars Part #1065**

- 1065 58-65 Ground strap . . . . . Set \$24.50
- INNER FENDER FILLER TO FRAME 09.210**
- 1082B 58-59 Front fender anti-squeak pads, . . . . . Set \$13.64
- 1082A 58-61 Inner fender filler to frame . . . . . Set \$22.09



**Show Cars Part #1082**

- 1082 62-64 Inner fender filler to frame . . . . . Set \$22.09
- 5465 Staples, 25 pieces . . . . . Set \$3.03
- BODY MOUNT PADS . . . . . 09.290**
- 3658 58-64 Convertible body mount fiber type. . . . . Set \$44.50
- 3403 59 Hardtop & sedan body mount rubber kit . . . made in USA . . . . . Set \$129.50
- 3401 60-64 Hardtop & sedan body mount rubber kit made in USA . . . . . Set \$84.00
- 7786 60-64 Hardtop & sedan body mount rubber kit imported . . . . . Set \$64.50

**All prices subject to change without notice. Any installed part is not returnable**



## Show Cars Part #3402

- 3402 61-64 Convertible body mount rubber kit made in USA  
..... Set \$116.00
- 7787 61-64 Convertible body mount rubber pads, imported  
..... Set \$96.00
- 8780 59-64 Hardtop and sedan body mount polyurethane kit.  
(Black) ..... Kit \$170.00
- 8781 59-64 Convertible body mount polyurethane kit. (Black)  
..... Kit \$220.00
- 5466 60-64 Body mount rubber ..... Ea \$11.00
- 4235 58-64 Washer to use with rubber mount, for hardtop (8)  
..... Set \$13.20



## Show Cars Part #3248

- 3248 59-64 Convertible body bolt kit 28 pieces .... Set \$28.38
- 3247 59-64 Sedan & hardtop bolt to frame kit (20 pieces)  
..... Set \$31.22
- 5441 59-72 Body mount cage nut ..... Ea \$16.00

*For Bolts, Clips, and Screws please see group 25*



## Show Cars Part #4236

- 4236 58-64 Washer to use with rubber mount, for convertible (12)  
..... Set \$19.80

### **BODY MOUNT BOLTS.....09.290**

- 4878 58 Body bolt to frame kit for hardtop & sedan 20 pieces  
..... Set \$21.54
- 4879 58 Body bolt to frame for convertible 28 pieces  
..... Set \$31.22

**Go to Show-Cars.com for updates and many more pictures**

# Steering & Suspension . . . . . 10

## STEERING COLUMN . . . . . 10.010

### 1958-66 Impala - Tilt - Column Shift Retrofit Series

*This retrofit column is designed to fit your 1958-67 Impala and does NOT require modification to your original vehicle to install. Simply remove your old column, saving your original under dash mount and floor mount. Using an ididit installation kit, install your new steering column in place of the old. These columns come complete with a neutral safety switch (shift indicator not included). A new aluminum dash bezel is included with the 1963-64 column however, all the other columns will match the dash perfectly using the original bezel. A wiring adaptor is included with the 1967 column. The shift pattern on the column allows you to use either a 3 or 4-speed automatic transmission (except early Powerglides, as they have a reverse pattern transmission). A shift linkage (new or original) is required for installation and will attach to the lower shift arm provided on the column. Add an aftermarket wheel (using an adapter) or original wheel but keep in mind that an aftermarket wheel may push the wheel closer to the driver and the original wheel will increase the overall length of the column towards the driver*

8936	58 Tilt steering column, full size floor shift, paintable. ..... Ea \$523.31
8937	59-60 Tilt steering column, full size, floor shift, paintable ..... Ea \$523.31
8938	61-62 Tilt steering column, full size, floor shift, paintable ..... Ea \$523.31
8939	63-64 Tilt steering column, full size floor shift, paintable ..... Ea \$625.79
8940	65-66 Tilt steering column, full size, floor shift, paintable ..... Ea \$518.00
8941	58 Tilt steering column, full size, floor shift, chrome ..... Ea \$698.67
8942	59-60 Tilt steering column, full size, floor shift, chrome

8943	61-62 Tilt steering column, full size, floor shift, chrome ..... Ea \$719.43
8944	63-64 Tilt steering column, full size, floor shift, chrome ..... Ea \$720.92
8945	65-66 Tilt steering column, full size, floor shift, chrome. ..... Ea \$825.38
8946	58 Tilt steering column, full size, column shift, painttable ..... Ea \$719.43
8947	59-60 Tilt steering column, full size, column shift, paintable. ..... Ea \$844.18
8948	61-62 Tilt steering column, full size, column shift, paintable. ..... Ea \$839.73
8949	63-64 Tilt steering column, full size, column shift, paintable. ..... Ea \$842.70
8950	65-66 Tilt steering column, full size, column shift, paintable ..... Ea \$955.71
8951	58 Tilt steering column, full size, column shift, chrome. ..... Ea \$845.66
8952	59-60 Tilt steering column, full size, column shift, chrome. ..... Ea \$1,136.06
8953	61-62 Tilt steering column, full size, column shift, chrome. ..... Ea \$1,140.50
8954	63-64 Tilt steering column, full size, column shift, chrome. ..... Ea \$1,137.54
8955	65-66 Tilt steering column, full size, column shift, chrome. ..... Ea \$1,256.95
8956	58 Deluxe install kit, manual gearbox 3/4"-30 spline, original harness ..... Ea \$845.66
8957	58 Deluxe install kit, manual gearbox 3/4"-36 spline, original harness ..... Ea \$429.20
8958	59-62 Deluxe install kit, manual gearbox 3/4"-30 spline, original harness ..... Ea \$423.28
8959	59-62 Deluxe install kit, manual gearbox 3/4"-36 spline, original harness ..... Ea \$423.28
8960	63-64 Deluxe install kit, manual gearbox 3/4"-30 spline, original harness ..... Kit \$423.28
8961	63-64 Deluxe install kit, manual gearbox 3/4"-36 spline, original harness ..... Kit \$423.28
8962	65-66 Deluxe install kit, manual gearbox 3/4"-30 spline, original harness ..... Kit \$238.28
8963	65-66 Deluxe install kit, manual gearbox 3/4"-36 spline, original harness ..... Kit \$235.32
8964	65-66 Deluxe install kit, manual gearbox 3/4"-36 spline, original harness ..... Kit \$235.32
9161	62 I did it horn kit ..... Kit \$35.00
8966	3 Speed shift indicator for 4 " column with pointer, attaches with adhesive tape (acrylic) ..... Kit \$35.52
8967	4 Speed shift indicator for 4 " column with pointer, attaches with adhesive tape (acrylic) ..... Kit \$35.52
8968	3 speed indicator kit with chrome housing (screws Included) ..... Kit \$97.90
8969	3 speed indicator kit with black housing (screws Included) ..... Kit \$91.97

**All prices subject to change without notice. Any installed part is not returnable**

# Page 96 Show-Cars.com 1-24 Catalog

8970	4 speed indicator kit with chrome housing (screws Included)	1091	58-65 Steering cuplink 12 point bolt . . . . . Ea	\$5.45
	..... Kit \$97.90	5413	58-64 Lower steering column bearing . . . . . Ea	\$27.00
8971	4 speed indicator kit with black housing (screws Included)	2055	61-64 Upper steering cuplink boot retainer . . . Ea	\$7.58
	..... Kit \$91.97	4777	61-64 Steering Idler arm . . . . . Ea	\$85.00

## STEERING COLUMN TO FIREWALL

### SEALS . . . . . 10.050

3918	58 Steering column seal, manual . . . . . Ea	\$12.43
3919	58 Steering column seal, automatic . . . . . Ea	\$12.43
5780	58 Steering column to firewall sponge seal, auto	
	..... Ea	\$12.90
5781	58 Steering column to firewall sponge seal, stand	
	..... Ea	\$22.99
5782	58 Firewall clutch rod felt seal . . . . . Ea	\$5.00
3601	59-60 Steering column to firewall seal, automatic	
	..... Ea.	\$49.95
3601A	59-60 Steering column to firewall seal, manual	
	..... Ea	\$69.00
5640	61-62 Clutch rod to firewall seal. . . . . Ea	\$33.00
3603	61-64 Steering column seal,automatic trans and 61-62 4 speed	
	(use with 5640 for 4 speed). . . . . Ea	\$41.50
8779	61-64 Steering column seal, 4 speed. Import . . Ea	\$28.60
7457	61-64 Steering column seal,automatic trans and 61-62 4 speed	
	imported . . . . . Ea	\$25.00



### Show Cars Part #3602

3602	63-64 Steering column seal, 4 speed transmission	
	..... Ea	\$41.50

### STEERING LINKAGE . . . . . 10.090

CC8053	55-70 Tie Rod Boot . . . . . Ea	\$8.00
7125	58-64 Polyurethane tie rod boot . . . . . Pr	\$7.00
4778	58-60 Steering Idler arm . . . . . Ea	\$85.00
4779	58-64 Tie rod adjusting sleeve . . . . . Ea	\$15.50
4781	59-64 Inner tie rod . . . . . Ea.	\$42.64
4782	58-62 Outer tie rod . . . . . Ea	\$28.60
7193	58-60 Upper steering column cuplink dust boot.	
	..... Ea	\$19.95
1117	58-64 Shaft lower cuplink repair kit (Rag Joint)	
	..... Kit	\$14.95
3629	58-64 Ball joints lower . . . . . Ea	\$25.00
4784	58-64 Ball joints upper . . . . . Ea	\$25.00
7124	58-64 Polyurathane ball joint boots upper & lower	
	..... Set	\$15.90



### Show Cars Part #5429

5429	61-64 Upper Steering column cuplink dust boot	
	..... Ea	\$23.50
8377	59-62 Center drag link manual steering, works with factory	
	pitman arm . . . . . Ea	\$139.00
7200	63-64 Center drag link manual steering, also used with 605	
	Power steering conversion . . . . . Ea	\$139.95
4783	63-64 Outer tie rod . . . . . Ea	\$28.60
5502	7/16-20 Castle nuts . . . . . Ea	\$3.00
5503	1/2-20 Castle nuts . . . . . Ea	\$3.00
5504	9/16-18 Castle nuts . . . . . Ea	\$3.00
5635	Upper ball joint rivet. . . . . Ea	\$3.00
5636	Lower ball joint rivet . . . . . Ea	\$3.00
6510	58-64 Steering gearbox lower shaft seal . . . . Ea	\$18.50
6511	58-64 Steering gearbox upper shaft seal. . . . Ea	\$22.00

7150	58-62 Steering center link repair kit . . . . . Ea	\$14900
7149	63-64 Pitman arm w/o power steering . . . . . Ea	\$125.00

### SPINDLES. . . . . 10.100

8369	58-64 2" drop spindles, accepts factory ball and tie rod ends.	
	Works with most 15" wheels. No need for bottom caliper	
	bracket P. . . . . r	\$248.00

### A ARM/CONTROL ARM . . . . . 10.120

7339	58-64 Upper A arm . . . . . Pr	\$178.00
7340	58-64 A arm X shaft, driver upper . . . . . Ea	\$43.50
7341	58-64 A arm shaft, fits driver & passenger . . . Ea	\$29.93
8192	58-64 Lower A arm plate and bolts, 2 required	
	..... Set	\$16.50
8366	58-64 Chevy full size tubular upper and lower front control	
	arm . . . . . Pr	\$493.00
6885	59-64 Rear control arms with rubber bushings.	
	..... Set	\$202.50

See also rear axle/drive train

### A ARM/CONTROL ARM DUST SEALS . . . . .

2075	58A arm dust seal . . . . . Pr	\$13.00
------	--------------------------------	---------

Go to Show-Cars.com for updates and many more pictures



# 507-233-1958 Fax 507-354-1959 1-24 Catalog 97

5933	58-59 Clips for A arm dust seal 14 pc. . . . .	Set	\$39.00
2076	59 A arm dust seal. . . . .	Pr	\$16.50
2077	60 A arm dust seal with staples. . . . .	Pr	\$16.50
2078	61 A arm dust seal with staples . . . . .	Pr	\$16.50



**Show Cars Part #2079**

2079	62-64 A arm dust seal with staples . . . . .	Pr	\$16.50
5465	Staples, 25 pieces . . . . .	Set5	\$3.03

## **A ARM/CONTROL ARM WASHERS 10.170**

4238	58-64 Cupped washers & bolts. . . . .	Set	\$21.99
6639	58-64 A arm bolt kit . . . . .	Kit	\$6.59

## **A ARM/CONTROL ARM BUSHINGS 10.180**

5926	58 Rear control arm bushing 10 pc. . . . .	Set	\$236.60
6041	59-64 Large rear control bushing . . . . .	Ea.	\$15.00
6042	59-64 Small rear control bushing . . . . .	Ea.	\$14.70
3252	59-64 Rear control arm bushings . . . . .	Set	\$91.00

7127	59-64 Polyurathane rear control arm bushings for cars with one upper control arm. . . . .	Set	\$84.50
------	---	-----	---------

7128	59-64 Polyurathane rear control arm bushings for cars with two upper control arms . . . . .	Set	\$115.00
------	---	-----	----------

7804	59-64 Polyurathane rear control arm bushing, large . . . . .	Ea	\$14.95
------	--	----	---------

7805	Polyurathane rear control arm bushing, small . . . . .	Ea	\$14.95
------	--	----	---------

3253	59-64 Front upper and lower kit . . . . .	Set	\$45.75
------	---	-----	---------

3412	58-64 Front lower control arm bumper. . . . .	Pair	\$20.35
------	---	------	---------

3891	58-64 Front upper control arm bumper. . . . .	Pair	\$8.50
------	---	------	--------

7126	Polyurethane front upper & lower control arm bushings . . . . .	Kit	\$86.50
------	---	-----	---------

8384	Polyurethane bushing grease tube. . . . .	Ea	\$1.50
------	---	----	--------

## **POWER STEERING . . . . . 10.210**

7153	58-64 Power steering control valve rebuild kit, stud ball kit and seal Kit . . . . .	Ea	\$75.00
------	--	----	---------

4038	58-64 Power steering slave cylinder, new no core required. . . . .	Ea	\$269.00
------	--	----	----------

2113	58-64 Hose covers. . . . .	Set	\$11.94
------	----------------------------	-----	---------

5285	58-60 Power Steering hose clamp and bracket bolts to splash pan. . . . .	Ea	\$42.35
------	--	----	---------

5285B	58-60 Power steering hose clamp less bracket. . . . .	Ea	\$24.20
-------	---	----	---------

5283	58-64 Power steering hose bracket (bolts to outer frame) . . . . .	Ea	\$21.73
------	--	----	---------

5062	58-64 Sway bar shield protects power steering hoses from sway barEa . . . . .	Ea	\$6.00
------	---	----	--------

4269	58-65 348-409 Power steering bracket, dipstick tube, idler pulley bracket to exhaust manifold stud . . . . .	Ea	\$10.00
------	--	----	---------

7154	58-64 Steering coupler . . . . .	Ea	\$44.50
------	----------------------------------	----	---------

7155	58-64 Power steering control valve . . . . .	Ea	\$269.00
------	--	----	----------

3325	58-68 Power steering hose retainer clip . . . . .	Ea	\$4.84
------	---	----	--------

CC6638	58-70 Power Steering Control Valve Centering Nut Cap . . . . .	Ea	\$3.85
--------	--	----	--------

6352	58-59 Power steering hose kit with power steering pump on generator . . . . .	Kit	\$115.00
------	---	-----	----------

6585	58-64 Power steering pump, re-built for 600 or 605 change-over . . . . .	Ea	\$149.00
------	--	----	----------



**Show Cars Part #8379**

8379	60-65 Power steering pump, new, needs 5347 bracket . . . . .	Ea	\$177.00
------	--	----	----------

8671	60-65 Power steering pump, new, chrome . . . . .	Ea	\$169.00
------	--	----	----------

9064	Power steering pressure reducing kit . . . . .	Ea	\$19.99
------	--	----	---------

8380	60-65 Power steering pump reservoir . . . . .	Ea	\$29.00
------	---	----	---------

6968	60-64 Pump filler cap, black plastic . . . . .	Ea	\$6.50
------	--	----	--------

7478	59-64 Power steering pump original cap . . . . .	Ea	\$49.00
------	--	----	---------

5907	59-64 Power steering pressure hose (May need SC #6677 and 6011) . . . . .	Ea	\$34.99
------	---	----	---------

5908	59-64 Power steering J hose (requires 2) . . . . .	Ea	\$18.99
------	--	----	---------

5909	59-64 Power steering return hose . . . . .	Ea	\$28.00
------	--	----	---------

3050	60-64 Power steering pump seal kit. . . . .	Kit	\$20.50
------	---	-----	---------

6011	60-64 Power steering pump ext. tube(steel) from back of pump to pressure hose. . . . .	Ea.	\$14.99
------	--	-----	---------

7213	58-64 Small block power steering pump bracket . . . . .	Ea	\$45.00
------	---	----	---------

8696	Nut and washer for all steering boxes (7/8 x 14) . . . . .	Ea	\$6.00
------	--	----	--------

7902	348/409 Allen Grove after market power steering pump bracket for GM remote reservoir type 2 pump. Set . . . . .	Set	\$89.50
------	---	-----	---------

5347	60-65 348/409 power steering brackets & 63-65 409 idler pulley brackets. . . . .	Set	\$114.99
------	--	-----	----------

6640	60-61 348 Power steering brackets used with 2 bolt pump. Will not work with hex collar stud. Can be used with 58-59 block, requires drilling block. Can be used with 62-65 409 by		
------	---	--	--

**All prices subject to change without notice. Any installed part is not returnable**

# Page 98 Show-Cars.com 1-24 Catalog

	removing hex collar stud. . . . .	Set	\$89.99
6677	59-64 Power steering pump to tube adapter . . .	Ea	\$15.50
6520	348/409 Power steering bracket to block shim 1/16"		
	..... Ea		\$12.00
6521	348/409 Power steering bracket to block shim 1/8"		
	..... Ea		\$12.00
6522	348/409 Power steering bracket to block shim 1/4"		
	..... Ea		\$12.00
5284	61-64 Power steering hose clamp and bracket		
	(bolts to inside of frame). . . . .	Ea	\$54.45
5807	61-64 Power steering hose clamp. . . . .	Ea	\$24.20
3051	63-64 Power steering valve repair kit w/o adapter may also fit		
	59-62 . . . . .	Kit	\$64.99
2088	63-64 Power Steering valve seal kit may also fit 59-62		
	..... Set		\$29.00
2089	63-64 Power steering cylinder seal kit may also fit 59-62		
	..... Set		\$23.00
CC6634	63-70 Power Steering Control Valve Ball Stud Boot		
	..... Ea.		\$5.50
CC6636	63-70 Power Steering Control Valve Boot Retainer		
	..... Ea.		\$5.50

## POWER STEERING 605 CONVERSION . . . 10.210

*Upgrade to a modern 605 Power Steering system. Get rid of that leaky control valve and hydraulic cylinder. Eliminate loose, sloppy steering. All the power is in the 605 gearbox. This conversion can be done to 58-64 full size with 283, 327, 348 and 409 engines. Also with air conditioning.*

*The 605 gearbox to frame bracket is made out of steel. The lower steering shaft (column to gear box) will need to be shortened, most cars need 18 1/2". Clean all threads with a tap and use locktite.*

*The 605 gear box and pump was used in mid-size Chevrolet 1978-1979 with flare fitting and 1980-1984 with O-Ring fitting.*

6970	605 Frame to gear box bracket, steel . . . . .	Ea	\$69.00
------	--	----	---------



## Show Cars Part #9061

9061	New 605 gear box with flaired fittings and frame bracket. (Import) . . . . .	Ea	\$400.00
	Nut and washer for original and 605 steering box . . . . .	Ea	\$6.00
6298	600/605 Re-built Pump with flair - Hose Fitting . . . . .	Ea	\$209.00
6301	600/605 Pressure hose with flair - Fitting 5/8 x 11/16 . . . . .	Ea	\$45.00
6302	600/605 Pressure hose with O ring - Fitting . . . . .	Ea	\$45.99
6303	600/605 Return hose with flair - Fitting 5/8 . . . . .	Ea	\$25.00
6304	600/605 Return hose with O ring - Fitting . . . . .	Ea	\$28.00
7150	58-62 Steering center link repair kit. . . . .	Ea	\$95.00
7149	63-64 Pitman arm w/o power steering . . . . .	Ea	\$125.00
7200	63-64 Center drag link manual steering, also used with 605 power steering conversion . . . . .	Ea	\$139.95
8110	58-64 605 Rag joint and lower steering shaft . . . . .	Ea	\$68.00
8697	58-64 Rag joint, use with 605 or 600 series steering box (3/4 -30 female 3/4 DD) . . . . .	Ea	\$49.00

## POWER STEERING CONVERSION PARTS

9177	600 Gear box with O ring hose fittings. . . . .	Ea	\$285.00
9162	58-64 600 gear box to frame steel bracket . . . . .	Ea	\$69.00
9179	58-64 Steering shaft 3/4-36 spline steel 16 inches long 2 inch spine length. . . . .	Ea	\$65.00
9180	58-64 Rag joint coupler 3/4-36 spline x 3/4 DD (use with 600 gear box, full size Chev). . . . .	Ea	\$62.00

## 500 POWER STEERING. . . . . 10.210

9189	58-64 New power steering gearbox. 500 series with pitman arm nut and washer. Bolts directly to the frame with hardware included. Flaired hose fittings and 36x3/4 splined input shaft. . . . .	Kit	\$399.00
------	--	-----	----------

## BEARING DUST COVERS. . . . . 10.250

4884	58-60 Bearing dust cap set . . . . .	Pr	\$45.00
7079	61-72 Front wheel static collector. . . . .	Pr	\$51.20

**Go to Show-Cars.com for updates and many more pictures**

# 507-233-1958 Fax 507-354-1959 1-24 Catalog 99

3146 61-72 Dimpled (2 required) . . . . . Ea \$14.99

## WHEEL BEARINGS . . . . . 10.251

7202 58-60 Front wheel bearings, seats & seals . . . Kit \$190.00  
7203 61-64 Front wheel bearings, seats & seals . . . Kit \$76.50

## AXLE BUMPER . . . . . 10.290

3180 58-64 Rear frame axle bumper . . . . . Ea \$21.50.

## FULL CAR BUSHING SET . . . . . 10.390

7129A 58 Polyurathane full car set includes 7119, 7121, 7122, 7123, 7124, 2-7125, 7126, 5926 . . . . . Set \$520.00



## Show Cars Part #7129

7129 59-64 Polyurathane full car set includes 7119, 7121, 7122, 7123, 7124, 2-7125, 7126, 7128, 6666 . . . . . Set \$485.00

## SHOCKS . . . . . 10.470

5276 55-64 Cupped retainer washer lower rear shock mount . . . . . Ea \$3.85  
5277 55-64 Rubber grommet lower rear shock mount . . . . . Ea \$4.24  
5423 58-64 Rear, lower shock lock nut . . . . . Ea \$1.65  
3262 58-64 Front standard . . . . . Ea \$39.50  
3263 58-64 Rear standard . . . . . Ea \$39.50  
7204 58-64 Rear air shocks . . . . . Pr \$179.00  
7143 58-64 KYB GR-2 Front gas shock (Will not fit 58-60 with air suspension) . . . . . Ea \$44.50  
7144 58-64 KYB GR-2 Rear gas shock (Will not fit 58-60 with air suspension) . . . . . Ea \$33.50  
7145 58-64 KYB Gas-A-Just Front gas shock (Will not fit 58-60 with air suspension) . . . . . Ea \$55.50  
7146 58-64 KYB Gas-A-Just Rear gas shock (Will not fit 58-60 with air suspension) . . . . . Ea \$59.50  
6886 59-64 Lower rear shock brackets . . . . . Pr \$42.00  
8118 58-64 Front drag shock, 3 way adjustable, 90/10, 80/20, 60/40 . . . . . Ea \$99.00  
8119 58-64 Rear drag shock, 3 way adjustable, 30/70, 40/60, 50/50 Modification needed to fit 58-64 full size cars . Ea \$69.50  
8148 58-64 Gabriel air shock . . . . . PR \$185.00

## SWAY BAR LINKAGE . . . . . 10.510

All prices subject to change without notice. Any installed part is not returnable

8117 58-64 Front sway bar end linkage kit color may vary . . . . . Ea \$8.95

5271 58-64 Front sway bar bushings 5/8, also fits 58-62 Corvette . . . . . Pr \$54.99

7151 58-64 Mounting bracket for original sway bar . . . . . Ea \$17.00

7119 58-64 Polyurathane front sway bar bushings and brackets . . . . . Pr \$20.30

7120 58-64 58-64 Polyurathane front sway bar bushings and brackets for cars with 605 steering box . . . . . Pr \$29.90

6745 58-64 Sway bar bracket for cars with power steering, bolts to frame . . . . . Ea \$49.95

3267 58-64 Front sway bar end linkage kit (Zink plated hardware) . . . . . Kit \$10.00

8328 58-64 Front sway bar polyurathane end bushing kit one side . . . . . Kit \$6.00

7121 58-64 Polyurathane front sway bar linkage . . . . . Kit \$33.50

5927 58-64 Front sway bar kit . . . . . Kit \$210.00

5928 58-64 Rear sway bar kit . . . . . Kit \$220.00

1195 58-64 Rear sway bar bushings (Pan hard bar) 1.110 diameter . . . . . Pr \$35.15

1195A 58-64 Rear sway bar bushings (Pan hard bar) 1.137 diameter . . . . . Pr \$59.00

6666 59-64 polyurethane rear sway bar bushings (pan hard bar) 1.135 diameter. . . . . Pr \$18.65

6448 59-64 Rear panhard bar with bushings . . . . . Ea \$49.95

7443 59-64 Rear panhard bar w/urathane bushings. . Ea \$99.99

6665 59-64 Adjustable heavy duty rear pan hard bar with polyurethane bushings. Adjustable both ends. . . . . Ea \$139.50

## COIL SPRINGS . . . . . 10.550

3408 58-64 Front coil springs all exc. 348/409 cars. OD 5.25 ID 3.930 Wire OD .660, Load per inch 301, OAL 16.44 installed ht 11.00 . . . . . Pr \$195.00

3410 58-64 Front standard 348/409 cars. OD 5.25 inches ID 3.878 Wire OD .686, Load per inch 325, OAL 18.782 installed ht 11.81 . . . . . Pr \$195.00

6043 58-64 Front heavy duty coil springs 348/409 cars. OD 5.25, ID 3.900, Wire OD .675, Load per inch 376, OAL 16.794, installed ht 12.00. . . . . Pr \$195.00

6044 58-64 Front super heavy duty coil springs 348/409 cars, convertible 9 passenger station wagon. OD 5.250, ID 3.850 Wire OD .690, Load per inch 403 OAL 16.893, installed ht 11.81 . . . . . Pr \$195.00

3409 58-64 Rear coil springs all except 348/409 cars. OD 5.25 id 3.998 Wire OD .656, Load per inch 442, OAL 16.840 installed ht 11.00. . . . . Pr \$195.00

3411 58-64 Rear heavy duty coil springs 348/409 cars. OD 5.000 ID 3.375 Wire OD .656, Load per inch 370, OAL 16.44 instaled ht 11.000 . . . . . Pr \$279.00

6905 58-64 Super heavy duty rear coil springs 348/409 cars, convertible, 9 passenger station wagon. . . . . Pr \$195.00

8156 Front coil spring insulator Wir OD .718, Load per inch 499,  
OAL 14.062 . . . . . Ea \$21.50

**SHIMS . . . . . 10.590**

3417 58-72 Front wheel alignment 32 piece . . . . . Set \$34.00

*For Bolts, Clips, and Screws please see group 25*

## Front end Cowl to grill . . . . . 11

### HOOD LIP MOLDING STUDS . . . . 11.020

5582 61-64 Hood lip moulding studs. . . . . Ea \$3.00

### GRILL RIVETS . . . . . 11.050

1095 58-up Trust head 3/16 aluminum grill rivets -  
set of 24 and setting tool . . . . . Set \$9.35

1095A 58-up Trust head, 3/16 aluminum Set of 24 . . . Set \$7.26

2070 58-64 License panel & grill clip Kit, 10 pieces .  
. . . . . Kit \$11.44

3299 59-60 Flat head 3/16 inch x 1/4 inch, Set of 24  
. . . . . Set \$9.08

3300 59-60 Flat head 3/8 inch x 1/4 inch, 12 pc . . . Set \$7.26

7891 62-65 Trust head grill rivet with nut and washer  
. . . . . Ea \$3.00

4810 64 Hood latch pull rod rivet . . . . . Ea \$18.50

### FIREWALL GROMMETS . . . . . 11.090

7635 58 Accelerator rod boot. . . . . Ea \$10.00

3921 58-59 Speedometer cable grommet . . . . . Ea \$9.00

3930 58-60 Firewall grommet for main wiring harness  
. . . . . Ea \$6.00

3275 58-64 Parking brake cable grommet. . . . . Ea \$10.29

3188 58-64 Three hole firewall grommet . . . . . Ea \$7.00

6020 59-60 Heater cable firewall grommet . . . . . Ea \$4.00

3928 61-62 Heater & defrost cable grommet . . . . . Ea \$10.00

3929 61-64 Speedometer cable grommet . . . . . Ea \$9.95

### HOOD SPRINGS. . . . . 11.210

5536 58 Hood springs . . . . . Pair \$53.23

5536B 59-60 Hood springs. . . . . Pair \$53.23

5536C 61 Hood springs . . . . . Pair \$53.23

1173 62 Hood springs . . . . . Pair \$53.23

1171 63-64 Hood springs. . . . . Pair \$53.23

1167 61-64 Hood catch lever spring . . . . . Ea \$9.85

### HOOD HINGES. . . . . 11.210

7546 64 Hood hinge passenger side. . . . . Ea \$119.00

7545 64 Hood hinge driver side. . . . . Ea \$119.00

### BILLET ALUMINUM HOOD HINGES 11.215

- *High strength, precision billet aluminum construction*
- *Utilizes sealed bearings & stainless steel nitrogen gas struts (included) for smooth operation*
- *Available in raw machined or bright polished finish as well as a variety of Fusioncoat and anodized colors*

**Go to Show-Cars.com for updates and many more pictures**

# 507-233-1958 Fax 507-354-1959 1-24 Catalog 101

●Sold in pairs

●Made in the USA

- 8818 61 Full size Chev billet aluminum hood hinge, machined.  
..... Pr \$650.00
- 8819 61 Full size Chev billet aluminum hood hinge, polished.  
..... Pr \$750.00
- 8820 61 Full size Chev billet aluminum hood hinge, black.  
..... Pr \$750.00



## Show Cars Part #8821

- 8821 62 Full size Chev billet aluminum hood hinge, machined.  
..... Pr \$650.00
- 8822 62 Full size Chev billet aluminum hood hinge, polished.  
..... Pr \$750.00
- 8823 62 Full size Chev billet aluminum hood hinge, black.  
..... Pr \$750.00
- 8824 63-64 Full size Chev billet aluminum hood hinge, machined.  
..... Pr \$650.00
- 8825 63-64 Full size Chev billet aluminum hood hinge, polished.  
..... Pr \$750.00
- 8826 63-64 Full size Chev billet aluminum hood hinge, black.  
..... Pr \$750.00

The above part numbers are for standard steel hoods

## HOOD SEALS..... 11.250

- 2068 55-75 Hood rubber stop ..... Pr \$3.00
- 2081 58-60 Hood to cowl seal ..... Ea \$15.00
- 2082 61-62 Hood to cowl seal ..... Ea \$29.75
- 2083 63-64 Hood to cowl seal ..... Ea \$19.00

## SIDE HOOD STOPS..... 11.290

- 3887 58 Hood stops ..... Set \$4.18
- 3888 59-61 Hood stops ..... Set \$15.95
- 6019 62 Hood side bumpers ..... Set \$14.00
- 1053B 63-64 Hood stops ..... Set(4) \$9.00

## HOOD INSULATION..... 11.340



## Show Cars Part #2060

- 2060 58 Hood insulation (yellow) ..... Ea \$43.95
- 4210 58 Hood insulation pad retainer with clutch head screws  
Set \$38.50
- 4809 58 Hood insulation pad center retainer clip ... Ea \$11.00
- 2067 59-60 Hood insulation fasteners ..... Set \$3.25
- 2061 59-60 Hood insulation. .... Ea \$28.95
- 5947 59-60 Hood insulation retainer kit ..... Kit \$65.00
- 2063 61 Hood insulation ..... Ea \$28.95
- 2064 62 Hood insulation ..... Ea \$28.95
- 2065 63 Hood insulation ..... Ea \$28.95
- 2066 64 Hood insulation ..... Ea \$26.95

## HORN ..... 11.350

- 7014 58-64 High note horn w/brackets ..... Ea \$70.00
- 7015 58-64 Low note horn w/brackets ..... Ea \$70.00



## Show Cars Part #8817

- 8817 55-79 Adjustable high/low note horns with correct Delco markings. Fits full size Chevrolet, Corvette, Camero, Chev-elle and Nova ..... Pr \$130.00
- 8195 61 Horn contact harness ..... Ea \$21.50
- 8212 58-60 64 Impala horn contact except wood steering wheel  
..... Ea \$17.00
- 6036 Horn contact kit, 58-60 except Impala, 62-63 Impala only  
..... Kit \$17.00

## HEADLIGHT ADJUSTMENT KIT ... 11.390

- 2250 58-61 Headlight adjustment ..... Set \$27.50
- 2251 62-65 Headlight adjustment ..... Set \$27.50
- 5066 58-65 Headlight bucket bezel bracket rivet 1/8 x 3/32 (24 pc)  
..... Set \$10.45
- 5067 58-65 Headlight bucket bezel bracket rivet 3/16 x 5/16 (24pc)  
..... Set \$10.45

All prices subject to change without notice. Any installed part is not returnable

# Page 102 Show-Cars.com 1-24 Catalog

## HEADLIGHT SET ..... 11.410

5437	60-67 T-3 headlight set. .... Ea	\$129.00
8543	58-66 Headlight Mounting bucket set with retaining rings. Also fits 58-61 Chev pick-up, 8 pcs ..... Set	\$89.00
8544	58-72 Headlamp retaining rings, also fits 58-61 Chev pick-up. 4Pcs ..... Set	\$21.00
9172	62 Passenger headlight panel with park lamp housing ..... Ea	\$129.00
9173	62 Driver headlight panel with park lamp housing ..... Ea	\$129.00

## HEADLIGHT WIRE PIGTAILS ..... 11.430

3011	58-72 high beam 3 wire pigtail. .... Ea	\$3.85
3012	58-72 Low beam 2 wire ..... Ea	\$3.85

## FRONT END (MISC.) ..... 11.510



### Show Cars Part #4253

4253	55-72 Radiator support cushion (6) ..... Set	\$8.00
6621	58 Inner fender to radiator support grommets . Pr	\$9.95
8278	58 Core support park lamp grommet ..... Ea	\$5.00
3147	58-64 Cowl tag rivets ..... Set	\$6.60
3186	64 Wire harness clip on radiator support ..... Pr.	\$5.00
4226	58-64 Radiator support washers 2 pcs 1/2in hole, 1- 3/8 x 1-27/32, 1/8 thick ..... Set	\$11.75
5296	58-64 Radiator support bolt ..... Ea	\$3.00
5297	58-64 Radiator support flat nut ..... Ea	\$3.00
1142	61-64 Front end sheet metal fasteners ..... Kit	\$65.50
3956	58-72 Aluminum accessory wire harness tie strap ..... Set(3)	\$6.66
3148	58-72 Cotter key Kit stainless. .... Set	\$3.03

## Interior ..... 12

### RADIO ..... 12.010

7474	Redirad radio adapter for AM radio so you can listen to your CD, I-Pod, satellite radio or cassette player. (Easy installation) ..... Ea	\$149.99
8300	58 Aluminum radio faceplate ..... Ea	\$29.99
7778	58 Radio Bezel set (USA). .... Set	\$50.95
7779	58 Dash speaker bezel (USA). .... Ea	\$53.95
7782	58 Dash speaker bezel (Import) ..... Ea	\$18.00
7781	58 Radio Bezel set (Import) ..... Set	\$25.95
7689	58 Aluminum radio delete insert. .... Ea	\$15.50
7424	58 Radio Delete. .... Ea	\$61.60
7423	59-60 Radio Delete ..... Ea	\$83.60
7422	61-62 Radio delete ..... Ea	\$61.60
7421	63-64 Radio delete ..... Ea	\$61.60
7562	58-60 Rear seat speaker emblem ..... Ea	\$55.95
8512	62-64 Rear seat speaker frame ..... Ea	\$52.50

7425	58 Clock delete. .... Ea	\$53.25
------	--------------------------	---------

### CUSTOM RADIOS ..... 12.030

8585	58 Chevy USA-630 AM/FM stereo radio with iPod doc/CD Controller- USB flash drive player. .... Ea	\$259.00
9078	58 Chevy USA 740 AM/FM stereo. Bluetooth (microphone included) CD controler, USB, front mini jack aux audio input ..... Ea	\$329.00
8588	59-60 Chevy USA-230 AM/FM stereo radio with aux-in ..... Ea	\$179.00
8589	59-60 Chevy USA-630 AM/FM stereo radio with iPod doc/ CD Controller- USB flash drive player. .... Ea	\$249.00
9079	59-60 USA 740 AM/FM stereo. Bluetooth (microphone included) CD controler, USB, front mini jack aux audio input ..... Ea	\$329.00
8591	61-62 Chevy USA-230 AM/FM stereo radio with aux-in ..... Ea	\$179.00
8592	61-62 Chevy USA-630 AM/FM stereo radio with iPod doc/ CD Controller- USB flash drive player. .... Ea	\$249.00
9080	61-62 Chevy USA 740 AM/FM stereo. Bluetooth (micro- phone included) CD controler, USB, front mini jack aux audio input ..... Ea	\$329.00
8595	63 Chevy USA-230 AM/FM stereo radio with aux-in ..... Ea	\$179.00
8596	63 Chevy USA-630 AM/FM stereo radio with iPod doc/CD Controller- USB flash drive player. .... Ea	\$249.00
9081	63-64 Chevy USA 740 AM/FM stereo. Bluetooth (micro- phone included) CD controler, USB, front mini jack aux audio input ..... Ea	\$329.00
8599	64 Chevy USA-230 AM/FM stereo radio with aux-in ..... Ea	\$179.00
8600	64 Chevy USA-630 AM/FM stereo radio with iPod doc/CD Controller- USB flash drive player. .... Ea	\$249.00
9083	CD1 CD player for 640 and 740 radios ..... Ea	\$175.00

Go to Show-Cars.com for updates and many more pictures

# 507-233-1958 Fax 507-354-1959 1-24 Catalog 103

8738	58-60 Chevy dual dash speaker . . . . .	Ea	\$39.00
8602	58-62 Chevy Kenwood dual dash speaker . . . . .	Ea	\$69.00
8603	58-64 Chevy DVC Dual Voice Coil dash Speaker . . . . .	Ea	\$50.00
8604	61-62 Chevy dual dash speaker . . . . .	Ea	\$39.00
8605	58-64 Chevy DVC Dual Voice Coil rear speaker . . . . .	Ea	\$50.00
8606	58 Kick panel speaker. . . . .	Pr	\$139.00
8607	58 Pioneer kick panel speaker. . . . .	Pr	\$189.00
8608	59-60 Kick panel speaker . . . . .	Pr	\$144.00
8609	59-60 Pioneer kick panel speaker. . . . .	Pr	\$189.00
8610	61-62 Kick panel speaker . . . . .	Pr	\$139.00
8611	61-62 Pioneer kick panel speaker. . . . .	Pr	\$189.00
8612	63 Kick panel speaker. . . . .	Pr	\$139.00
8613	63 Pioneer kick panel speaker. . . . .	Pr	\$189.00
8739	64 Kick panel speaker without AC . . . . .	Pr	\$139.00
8614	64 Pioneer kick panel speaker without AC. . . . .	Pr	\$189.00
8740	64 Kick panel speaker with AC . . . . .	Pr	\$139.00
8615	64 Pioneer kick panel speaker with AC . . . . .	Pr	\$189.00

8616	58 up Hidden amplified antennae . . . . .	Ea	\$27.00
<b>GRAB BAR. . . . . 12.040</b>			
7775	61-62 Red grab bar with brackets. . . . .	Ea	\$289.50



## Show Cars Part #7776

7776	61-62 Black grab bar with brackets . . . . .	Ea	\$320.00
7006	61-62 Grab bar dash reinforcement . . . . .	Ea	\$48.40
7007	61-62 Grab bar passenger side to cowl re-inforcement . . . . .	Ea	\$30.80

## CONSOLE. . . . . 12.050

3036A	61 Console plate mounting bracket . . . . .	Ea.	\$54.95
5468	61 Console Kit . . . . .	Ea.	\$395.00
3036	62 Console Plate Mounting Bracket. . . . .	Ea	\$54.95



## Show Cars Part #5469

5469	62 Console Kit, driver quality. . . . .	Ea.	\$395.00
8163	63 Console kit, manual bracket sold seperately . . . . .	Ea	\$629.99
5811	63 Console door light harness and switch with bulb . . . . .	Ea.	\$23.00
5812	64 Console door light harness and switch with bulb . . . . .	Ea	\$23.00
3726	63 SS console lens . . . . .	Ea	\$27.95
6566	63 SS console mounting brackets with power glide or 4 speed . . . . .	Set	\$69.00
8166	63 SS console automatic shift plate . . . . .	Ea	\$114.99
8164	64 Console w/ manual transmission. . . . .	Ea	\$619.95
8165	64 Console w auto transmission . . . . .	Ea	\$619.95
3910	64 console indicator . . . . .	Ea	\$16.50
3911	64 Console slider. . . . .	Ea.	\$19.95
6567	64 Impala SS console mounting brackets with power glide or 4 speed . . . . .	Set	\$43.45

## INTERIOR TRIM . . . . . 12.060

6290	58-60 Seat Adjustment knob. . . . .	Ea	\$32.95
7777	58 Dash bezels includes lighter, lights, wiper and lock bezel (USA ) . . . . .	Set	\$109.95
7780	58 Dash bezels includes lighter, lights, wiper and lock bezel (Import) . . . . .	Set	\$38.00
8303	58 Aluminum glove box face plate. . . . .	Ea	\$29.00
8463	58 Full size heater control knobs, 4 pcs . . . . .	Set	\$21.75
8464	59-60 Full size heater control knobs, 4pcs . . . . .	Set	\$21.75
8465	61-62 Full size heater control knobs, 4 pcs. . . . .	Set	\$20.50
8466	63 Full size heater control knobs, chrome, 4pcs . . . . .	Set	\$26.10
8467	64 Full size heater control knobs, chrome, pcs . . . . .	Set	\$28.75
8468	65-72 Full size heater control knobs, chrome, 4 pcs . . . . .	Set	\$15.00
6291	61-64 Seat Adjustment knob. . . . .	Ea	\$34.95
7305	62 Impala dash fascia above glove box . . . . .	Ea	\$99.00
8083	61-63 Headlight switch knob . . . . .	Ea	\$12.99
8084	64 Headlight switch knob. . . . .	Ea	\$12.99
8386	65 Headlight switch knob. . . . .	EA	\$17.00

All prices subject to change without notice. Any installed part is not returnable

# Page 104 Show-Cars.com 1-24 Catalog

5509	62-64 Bucket seat adjustment knobs. . . . .	Ea	\$34.95
5587	62-66 w/ss seat pivot push nut . . . . .	Ea	\$8.25
5721	58-Up Coat Hooks . . . . .	Pr.	\$9.99
6607	61-64 Ignition switch bezel. . . . .	Ea	\$9.00
7055	58 Impala, Bel Air aluminum dash insert (6Pcs) .....	Set	\$185.00
7687	58 Biscayne aluminum dash insert . . . . .	Ea	\$58.95
7688	58 Del Ray aluminum dash insert. . . . .	Ea	\$58.95

## SUNVISOR . . . . . 12.090

1169	58-64 Accessory vanity mirror without pouch .....	Ea	\$34.50
6115	59-63 Sun visor brackets, hardtop . . . . .	Pr	\$53.00
5770	62-64 Star pattern sun visor white 2 dr. . . . .	Pr	\$138.50
8778	65-69 Full size sun visor bracket. Also fits 64-72 Chevelle, El Camino, 67-69 Camero, 65-74 Nova, except convertible .....	Ea	\$20.00

## DOORS . . . . . 12.120

6959	58 Interior door handle, Impala . . . . .	Ea	\$18.00
7541	59-67 Impala interior door handles (imported) .....	Pr	\$41.50
6960	58 Vent window handle, Impala. . . . .	Ea	\$18.00
6961	58 Window handle, Impala . . . . .	Ea	\$18.00
6962	58 Handle escutcheon, Impala only, 8 required .....	Ea	\$10.00
5736	58 door board water shield paper . . . . .	Pr	\$27.00
8301	58 Impala front armrest reflector, driver. . . . .	Ea	\$27.50
8302	58 Impala front armrest reflector, passenger. . . . .	Ea	\$17.50
8305	58 Impala front armrest bezel, driver . . . . .	Ea	\$34.00
8304	58 Impala front armrest bezel, passenger . . . . .	Ea	\$34.00
5737	59-60 door board water shield paper . . . . .	Pr	\$26.95
3471	59-67 inner door handles Impala made in USA .....	Pr	\$47.95
6652	58-64 Interior door handle. (58-60 Bel Air, and 58-64 Bis- cayne) . . . . .	Ea	\$12.50
5246	59-61 Arm rest base reflectors, import . . . . .	Pr	\$94.50
8214	59-61 Arm rest ornaments, import . . . . .	Pr	\$48.50
3924	61-64 Door lock ferules . . . . .	Pr	\$7.60
5738	61-62 Door board water and dust shield paper, does one car. .....	Set	\$26.95
2085A	58-64 Door panel nails . . . . .	Ea.	\$3.00
2085	61-64 Door panel plastic mounting clips, use with door panel nails . . . . .	Ea.	\$3.00
7696	61-66 Reproduction black door lock knob . . . . .	Pr	\$6.95
7697	61-62 Reproduction red door lock knob . . . . .	Pr	\$6.95
8248	61-63 Reproduction fawn metallic door lock knob .....	Pr	\$6.95
7699	62-66 Reproduction light blue door lock knob Pr		\$6.95
8250	62-66 Reproduction light green door lock knob .....	Pr	\$6.95

8251	64-66 Reproduction white door lock knob . . . . .	Pr	\$6.95
7700	62-64 Reproduction aqua door lock knob. . . . .	Pr	\$6.95
8249	63-64 Reproduction saddle door lock knob . . . . .	Pr	\$6.95
7698	63-66 Reproduction dark red door lock knob Pr		\$6.95
3204	61-66 Replacement door lock knob black . . . . .	Pr.	\$6.00
8247	64 Reproduction fawn oyster door lock knob. . . . .	Pr	\$6.95



## Show Cars Part #4213

4213	62-64 Impala arm rest bases . . . . .	Pr	\$39.00
7076	62-64 Bel Air arm rest Bases . . . . .	Pr	\$32.50
5739	63-64 door board water shield paper . . . . .	Set.	\$26.95
8283	58-62 Interior courtesy light switch . . . . .	Ea	\$18.00
2086	63-64 Interior courtesy light switch . . . . .	Ea.	\$14.50

## KEYS. . . . . 12.140

1104	58-64 Ignition and door (octagon) . . . . .	Ea.	\$6.00
1105	58-64 Trunk & gas cap (round). . . . .	Ea.	\$4.00

## EP AND TILT LEVERS . . . . . 12.210

6458	58 EP lever with knob. . . . .	Ea	\$5.00
6459	59-60 EP liver with knob . . . . .	Ea	\$13.00
2008	61-66 EP lever without tilt steering wheel- also fits 63-66 with tilt steering wheel . . . . .	Ea.	\$16.50
2008A	63-66 Chev and Chevelle tilt wheel release lever with knob(also fits 67-72 Chev/GMAC pick up and vans .....	Ea.	\$24.95
2009	63-64 EP lever without tilt steering wheel. .....	Ea.	\$13.00
2004	63-64 EP lever knob only . . . . .	Ea.	\$3.00

## PEDALS . . . . . 12.250

2071	58-63 Accelerator pedal plastic. . . . .	Ea.	\$9.90
2073	58-63 Accelerator pedal pivot stud . . . . .	Pr.	\$10.95
6908	58-63 Accelerator pedal pivot stud anchor nut .....	Ea	\$9.75
7194	59.60 Accelerator pedal floor bracket . . . . .	Ea	\$28.95
3635	58-63 Rubber accelerator pedal . . . . .	Ea.	\$18.90
8525	61-64 Accelerator linkage rod thru firewall with center pivot .....	Ea	\$34.50
8494	64-67 Accelerator pedal . . . . .	Ea	\$19.00
3659	58-63 Accelerator pedal anti-squeak pad . . . . .	Ea.	\$3.00
4255	58-64 Emergency brake pedal pad . . . . .	Ea.	\$9.50
5988	58-64 Power brake pedal pad for std transmission		

Go to Show-Cars.com for updates and many more pictures



# 507-233-1958 Fax 507-354-1959 1-24 Catalog 105

3902	58-65 Brake pad without power brakes,automatic	Ea.	\$13.50
3903	58-65 Power brake pad with automatic transmission	Ea.	\$8.95
3904	58-65 Brake and clutch pad with standard transmission	Ea.	\$10.95
		Ea.	\$11.70

## TRIM PLATE..... 12.260

2105	61-62 Lower steering column trim plate to carpet with stand trans	Ea	\$68.95
2105A	61-62 Steering column trim plate to carpet with auto trans	Ea.	\$68.95
2106	63-64 Lower steering column trim plate to carpet with stand trans	Ea.	\$73.95
2106A	63-64 Lower steering column trim plate to carpet with auto trans	Ea.	\$68.95

## ASH TRAY..... 12.290

7265	58-59 Rear quarter ash tray, hardtop & conv. . .	Ea	\$10.00
7050	58-59 Rear ash tray slide cover. . . . .	Ea	\$24.00
4997	60-67 Ashtray & Bezel . . . . .	Ea.	\$20.95
7619	61 Impala dash ashtray with flip lid . . . . .	Ea	\$79.99

## DOME LIGHT ..... 12.330

8267	55-67 Dome light assembly, large round. (Import)	Ea	\$29.00
7232	58-64 Dome light assembly, sedan . . . . .	Ea	\$45.00
7068	58-64 Dome light assembly . . . . .	Ea	\$64.50
3965	58-64 Dome light lens, 3 7/8" O.D.Ribbed . . .	Ea.	\$7.00
5065	58-64 Dome light lens 58 Impala, 59-62 Sport Coupe & Sport Sedan, 62-64 Sport Sedan,1 1/2 x 6 . .	Ea.	\$9.95



## Show Cars Part #3064A

3064A	62-66 Interior light bezel for Impala and Caprice. Also fits 67 Camaro with deluxe interior (2 required) . .	Ea.	\$52.95
3064	62-64 Rear dome light lens, 2" O.D. . . . .	Ea	\$8.95

## CIGARETTE LIGHTER..... 12.370

5535	61-63 Cigar lighter element . . . . .	Ea.	\$16.00
5535A	64 Cigar lighter assembly . . . . .	Ea.	\$19.95
7082	Cigarette light delete plug (15/16") . . . . .	Ea	\$12.95

## FLOOR SOUND DEADNER..... 12.390

5916	59-60 Floor sound deadner pre-cut. . . . .	Ea.	\$79.00
------	--	-----	---------

5915	61-64 Floor sound deadner pre-cut. . . . .	Ea.	\$79.00
------	--	-----	---------

## GLOVE BOX LINERS..... 12.410

3662	58 Without air . . . . .	Ea.	\$33.50
3301	59-60 Without air . . . . .	Ea.	\$33.50
3302	61-62 With air . . . . .	Ea.	\$33.50
3302A	61-62 Without air . . . . .	Ea.	\$33.50
3303	63-64 With air . . . . .	Ea.	\$33.50
3303A	63-64 Without air . . . . .	Ea.	\$33.50

## SEATS..... 12.490

7511	61-68 Seat stop kit, full size Chevrolet 2 door with bench seat	Kit	\$18.00
3307	62-64 Rear seat cardboard and felt . . . . .	Ea.	\$59.00
8361	62-64 Rear seat fillers . . . . .	Pr	\$69.00
8374	62-64 Bucket seat chrome backrest molding. . .	Set	\$239.00
8892	62-64 Bucket seat track, Chevrolet, Buick, Oldsmobile, Pontiac, passenger side . . . . .	Pr	\$139.00
8893	62-64 Bucket seat track, Chevrolet, Buick, Oldsmobile, Pontiac, driver side. . . . .	Pr	\$139.00
7572	62-64 Bucket seat mounting brackets 1 seat (4) Set		\$115.50

## DASH SEALS ..... 12.550

4032	60 Steering column to dash. . . . .	Pr	\$6.50
4033	60 Speedometer to dash seal. . . . .	Ea	\$11.75
5783	61-62 Instrument panel to dash seal . . . . .	Ea	\$12.99
4031	61-64 Steering column to dash 2 3/4 inch . . . .	Pr	\$5.00
4030	63-64 Tachometer housing to dash seal . . . . .	Ea	\$8.50

## DASH INSTRUMENTS ..... 12.590

8429	61-62 Full size clock with quartz movement. Correct color face and lettering. . . . .	Ea	\$239.95
8430	63 Full size speedometer, exact reproduction. . .	Ea	\$289.95
8431	63 Full size fuel gauge, exact reproduction . . .	Ea	\$144.95
8432	63 Full size clock with quartz movement. Correct color face and lettering . . . . .	Ea	\$199.95
8433	64 Full size speedometer, exact reproduction. . .	Ea	\$289.95
8434	64 Full size fuel gauge, exact reproduction . . .	Ea	\$154.95
8435	64 Full size clock with quartz movement..Correct color face and lettering . . . . .	Ea	\$179.95
8436	65 Full size speedometer, exact reproductions	Ea	\$289.95
8437	65 Full size fuel gauge, exact reproduction . . . .	Ea	\$149.95
8438	65 Full size clock with quartz movement. Correct color face and lettering . . . . .	Ea	\$239.95

## DASH LENSES..... 12.600

4744	58 Speedometer lens. . . . .	Ea.	\$56.25
4745	58 Fuel gauge lens . . . . .	Ea.	\$33.80
4746	58 Temperature gauge lens . . . . .	Ea.	\$36.95
4747	58 Clock lens. . . . .	Ea.	\$33.80
4748	58 Transmission indicator illumination . . . . .	Ea.	\$27.99

**All prices subject to change without notice. Any installed part is not returnable**

# Page 106 Show-Cars.com 1-24 Catalog

7556	58 Transmission indicator, Powerglide . . . . . Ea	\$49.95
7557	58 Transmission indicator, Turboglide . . . . . Ea	\$49.95
4749	58 Odometer lens . . . . . Ea	\$18.05
4750	58 Complete instrument lens set, includes 4744, 4745, 4746, 4747, 4748 & 4749 . . . . . Set	\$225.95
4751	59-60 Speedometer lens . . . . . Ea	\$74.95
4752	59-60 Clock lens . . . . . Ea	\$22.65
4753	59-60 Temperature gauge lens . . . . . Ea	\$49.95
4754	59-60 Generator and oil lens . . . . . Ea	\$48.95
4755	59-60 Fuel gauge lens . . . . . Ea	\$51.95
4756	59-60 Complete instrument lens set (includes 4751, 4752, 4753, 4754, & 4755) . . . Set	\$208.95
7558	59-60 Transmission indicator, Powerglide . . . Ea	\$38.95
7559	59-60 Transmission indicator, Turboglide . . . Ea	\$38.95
7563	61-62 Instrument lens (Westclox) 4 pcs . . . . . Set	\$141.95
7564	61-62 Instrument lens (Borg) 4 pcs . . . . . Set	\$141.95
7565	61-62 Speedometer face . . . . . Ea	\$50.95
7566	61-62 Fuel gauge face . . . . . Ea	\$50.95
7567	61-62 Temperature gauge face . . . . . Ea	\$50.95
7568	61-62 Westclox face . . . . . Ea	\$50.95
7569	61-62 Borg clock face . . . . . Ea	\$50.95
7560	61-62 Transmission indicator, Powerglide . . . Ea	\$35.95
7561	61-62 Transmission indicator, Turboglide . . . Ea	\$35.95
8383	63-64 Shift indicator lens . . . . . Ea	\$11.00
8381	63 Shift indicator bezel . . . . . Ea	\$12.50
6605	63 Speedometer lens . . . . . Ea	\$54.50
8382	64 Sift indicator bezel . . . . . Ea	\$12.50
6606	64 Speedometer lens . . . . . Ea	\$56.00

## HEADLINERS . . . . . 12.630

8234	58 Up headliner insulation 36x44 whiter fib. . . Ea	\$21.50
------	---	---------

## FIREWALL PADS . . . . . 12.640

3529	58 Firewall pad . . . . . Ea	\$70.50
3820A	59-60 Firewall pad . . . . . Ea	\$79.00
3820	61-62 Firewall pad . . . . . Ea	\$59.90
3530	63-64 Firewall pad . . . . . Ea	\$64.90

6311	61-62 Firewall pad OEM style . . . . . Ea	\$107.50
6312	63-64 Firewall pad OEM style . . . . . Ea	\$107.50

## FIREWALL PAD FASTENERS . . . . . 12.640

1124	57-72 firewall pad fasteners . . . . . Set	\$7.15
4775	59-72 firewall pad fastener tool . . . . . Ea	\$12.05

## PARK BRAKE HANDLE . . . . . 12.650

7426	58 Park brake handle . . . . . Ea	\$19.95
4765	61-67 Park brake handle . . . . . Ea	\$12.00

## SEAT BELTS . . . . . 12.660



## Show Cars Part #7106B

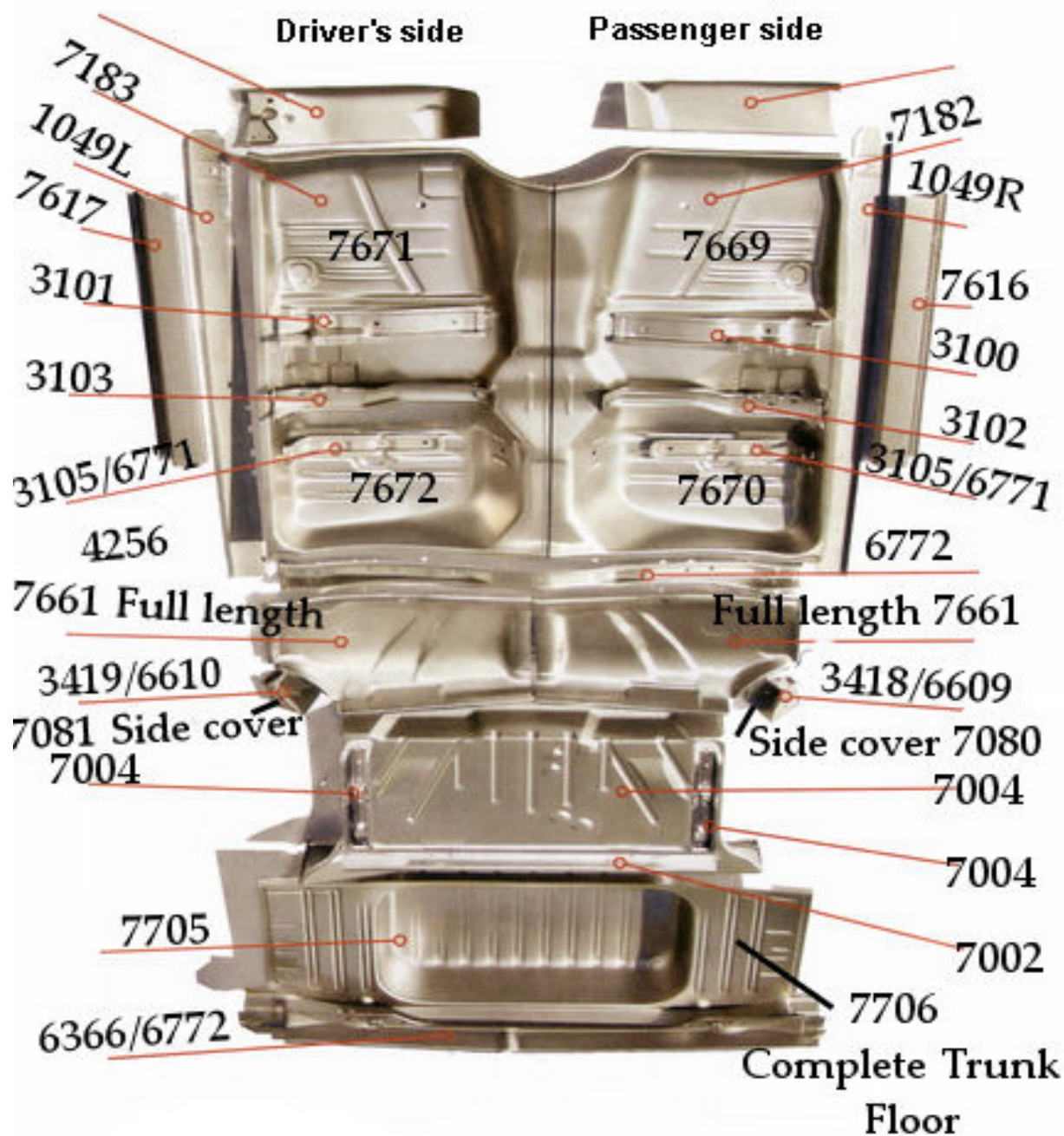
7106B	Black front lift latch seat belts, 2 people, 74" . . Set	\$84.00
7107B	Black rear lift latch seat belts, 2 people, 60" . . Set	\$84.00
7106BR	Bright Red front lift latch seat belts, 2 people, 74" . . . . . Set	\$69.00
7107BR	Bright Red rear lift latch seat belts, 2 people, 60" . . . . . Set	\$84.00
7106DR	Dark Red front lift latch seat belts, 2 people, 74" . . . . . Set	\$84.00
7107DR	Dark Red rear lift latch seat belts, 2 people, 60" . . . . . Set	\$84.00
7106DB	Dark Blue front lift latch seat belts, 2 people, 74" . . . . . Set	\$69.00
7107DB	Dark Blue rear lift latch seat belts, 2 people, 60" . . . . . Set	\$84.00
7106LT	Light tan front lift latch seat belts 2 people, 74" . . . . . Set	\$84.00
7106WT	White front lift latch seat belts 2 people, 74" . . . . . . . Set	\$84.00
7107WT	White rear lift latch seat belts, 2 people, 60" . . Set	\$84.00
7106LG	Light Grey front lift latch seat belts, 2 people, 74" . . . . . Set	\$69.00
7107LG	Light Grey rear lift latch seat belts, 2 people, 60" . . . . . Set	\$84.00
7106LT	Light Tan front lift latch seat belts, 2 people, 74" . . . . . Set	\$69.00
7107LT	Light tan rear lift latch seat belts , 2 . . . . . people, 60" . . . . . Set	\$84.00
7106DT	Dark Tan front lift latch seat belts, 2 people, 74" . . . . . Set	\$84.00
7107DT	Dark Tan rear lift latch seat belts, 2 people, 60" . . . . . Set	\$84.00
7106LB	Light Blue front lift latch seat belts, 2 people, 74" . . . . . Set	\$84.00
7107LB	Light Blue rear lift latch seat belts, 2 people, 60" . . . . . Set	\$84.00

## FRESH AIR VENT . . . . . 12.670

8127	63 Fresh Air Vent assembly w/ chrome knob, passenger side . . . . . Ea	\$86.00
------	---	---------

Go to Show-Cars.com for updates and many more pictures

## 1961-64 Floor Layout



All prices subject to change without notice. Any installed part is not returnable

# Page 108 Show-Cars.com 1-24 Catalog



## Show Cars Part #8128

- 8128 63 Fresh air vent assembly w/ chrome knob, driver side  
..... Ea \$84.00
- 8547 64 Fresh air vent assembly w/chrome knob, passenger side  
..... Ea \$84.00
- 8548 64 Fresh air vent assembly w/chrome knob, driver side  
..... Ea \$84.00
- 8268 63-72 A/C vent ball, chromed plastice (Import)  
..... Ea \$10.50

## INTERIORS.....

1958 Impala Convertible Interior Kit.

Includes the correct all vinyl, 3" striped seat covers, preassembled door & rear side panel trim, vinyl to cover front & rear armrest and top piston covers. Windlace set, vinyl covered kick panels. Sunvisors, Convertible top boot. Loop carpet set and floor mats. 70 lbs. .... Kit \$1899.00

*You will need to send in your original upper metal rails for the door/trim panels, or you can purchase a re-production set*

1958 Chevy Impala 2 Door Hardtop Kit

Includes; Front and Rear Seat Cover Set, Preassembled Door and Rear Side Panels, Sewn Front/Rear Armrest Covers, Windlace, Headliner, Sunvisors, Loop Carpet, Loop Floor Mats and Kick Panels. .... Kit \$1899.00

*You will need to send in your original upper metal rails for the door/trim panels, or you can purchase a re-production set*

1959 Impala Convertible Interior Package-

Reproduction all vinyl seat covers, preassembled front doors and rear trim panels with window felts and ferrules,sewn armrest covers, top piston covers, windlace set, sunvisors, vinyl covered kick panels. Also includes Convertible Top Boot and Tuxedo Carpet set. .... Kit \$2099.00

*You will need to send in your original upper metal rails for the door/trim panels, or you can purchase a re-production set*

1959 Impala 2 Door Hardtop Interior Kit

Includes; Reproduction front and rear seat covers, preassembled front door and rear trim panels with window felts and lock knob ferrules, sewn armrest covers, windlace set and vinyl covered kick panels. Also included is the original sequin vinyl headlin-

er and matching sequin sunvisors. Tuxedo carpet set included as well. .... Kit \$2050.00

*You will need to send in your original upper metal rails for the door/trim panels, or you can purchase a re-production set*

1960 Impala Convertible Interior Package.

Correct 1960 Reproduction Houndstooth Seat Cover Set, Preassembled Door/Side Panels, Edge Metal Bands, Door Panel Nails, Window Felts and Ferrules, Vinyl Covered Kick Panels, Windlace Set, Sewn Top Piston Covers and Sunvisors. Also included in this package- Convertible Top Boot and Tuxedo Carpet. .... Kit \$2099.00

*You will need to send in your original upper metal rails for the door/trim panels, or you can purchase a re-production set.*

1960 Impala 2 Door Hardtop Interior Package.

Includes; Seat covers, Preassembled door and rear trim panels. Window felts and lock ferrules included. Sewn armrest covers, windlace set and vinyl covered kick panels. Houndstooth pattern vinyl headliner and sunvisors. Tuxedo carpet set.Kit \$1999.00

*You will need to send in your original upper metal rails for the door/trim panels, or you can purchase a re-production set.*

1961 Impala Convertible interior package Factory duplicate of the all vinyl seat covers, preassembled door and rear trim panels with buttons, window felts and lock ferrules attached. Sunvisors, sewn rear armrest s and top piston covers, windlace set. Vinyl covered kick panels. Convertible top boot, Tuxedo carpet set . .... Set \$2199.00

*You will need to send in your original upper metal rails for the door/trim panels, or you can purchase a re-production set.*

1961 Chevy Impala 2 Door Hardtop & 2 Door Sedan Interior Package Kit.

Seat covers, preassembled door and quarter trim panels with buttons, window felts and lock knob ferrules attached. Sewn armrest covers, windlace set, vinyl covered kick panels. Star pattern vinyl headliner and sunvisors. Tuxedo carpet set also included. 50 lbs. .... Kit \$1999.00

*You will need to send in your original upper metal rails for the door/trim panels, or you can purchase a re-production set.*

**Go to Show-Cars.com for updates and many more pictures**

# 507-233-1958 Fax 507-354-1959 1-24 Catalog 109



1962 Chevy Impala Convertible Interior Package kit.

Exact duplicate of the original seat covers using "Barber Pole" insert with side chrome embossed welt. Preassembled door and rear quarter trim panels with window felts and lock ferrules installed. Windlace set, sewn rear armrests and convertible top piston covers and a pair of vinyl Sunvisors. Extra trim vinyl. Convertible top boot. Tuxedo carpet set. . . . . Kit \$1999.00

***You will need to send in your original upper metal rails for the door/trim panels, or you can purchase a re-production set***

1962 Chevy Impala 2 Door Hardtop and 2 Door Sedan Interior package kit.

This complete interior package includes; Seat cover set, preassembled front door panels. rear trim panels with window wipes and lock ferrules installed, Sewn rear armrests, windlace set, vinyl covered kick panels and extra trim vinyl. Star pattern headliner, new sunvisors and extra sail board material. Tuxedo carpet set included as well. 75 lbs. . . . . Kit \$1899.00

***You will need to send in your original upper metal rails for the door/trim panels, or you can purchase a re-production set.***

1963 Chevy Impala Convertible Interior package kit.

Pleated vinyl seat cover set as original with buttons attached. Preassembled door and rear quarter trim panels with window felts and lock knob ferrules installed. Sewn armrest and top piston covers. Windlace set, vinyl covered kick panels and sunvisors. Extra trim vinyl. Convertible top boot. Molded 80/20 carpet set included as well. We can make this interior to your choice of color or using cloth inserts. Call to inquire on custom items. 70 lbs . . . . . Kit \$1599.00

***You will need to send in your original upper metal rails for the door/trim panels, or you can purchase a re-production set.***

1963 Chevy Impala 2 Door Hardtop Interior package kit.

Seat Cover set, preassembled front and rear upholstered panels with buttons attached, sewn rear armrest covers, windlace set. Star pattern headliner, sunvisors and sail panel vinyl. Vinyl covered kick panels. Extra trim vinyl. Correct 80/20 loop carpet

set and a included as well. 80 lbs. . . . . Kit \$1799.00

***You will need to send in your original upper metal rails for the door/trim panels, or you can purchase a re-production set.***

1964 Chevy Impala Convertible Interior package kit.

Includes deep 1" pleated insert vinyl seat cover set (front and rear) as original with buttons attached. Preassembled door and rear quarter trim panels with angled mylar strips and heat sealed lines. Window felts and lock knob ferrules installed. Sewn armrest and top piston covers. Windlace set, and sunvisors. Extra trim vinyl. Convertible top boot. Molded 80/20 carpet seat included as well. Other non-original colors available. . . . . Kit \$1650.00

***You will need to send in your original upper metal rails for the door/trim panels, or you can purchase a re-production set.***

1964 Chevy Impala 2 Door Hardtop Interior package kit.

Includes exact as original seat covers with buttons attached, preassembled door and rear trim panels with buttons, window felts and lock knob ferrules installed. Sewn rear armrest covers, windlace set. Star pattern headliner, new star pattern vinyl sun visors and matching vinyl to cover your sail panels. Extra armrest vinyl. Molded 80/20 carpet set included as well. Door Panel Stainless NOT Included- you will need to transfer your existing stainless or order our lower door panel stainless for \$36.95. 80 lbs . . . . . Kit 1725.00

***You will need to send in your original upper metal rails for the door/trim panels, or you can purchase a re-production set.***

Call for pricing on any 1949-1965 Chevrolet complete interiors or individual pieces. Also 55-56-57 Cameo truck interiors. 507-233-1958

**All prices subject to change without notice. Any installed part is not returnable**

## Rear Axle/Drive-train . . . . . 13

### BEARINGS, GASKETS AND SEALS 13.140

2050	55-64 Axle flange gasket - backing plate outer.	Ea	\$3.00
2050A	55-64 Inner axle flange gasket - backing plate inner	Ea	\$3.50
2051	58-64 Differential housing gasket. . . . .	Ea	\$5.45
6266	58-64 Pinion bearing & seal, front . . . . .	Ea	\$39.95
6267	58-64 Outer pinion seal front . . . . .	Ea	\$24.95
8803	58-64 Rear axle bearings (imported) . . . . .	Pr	\$95.00
8832	58-64 Rear Axle bearing, national brand . . . . .	Ea	\$129.99
6901	58-59 Rear axle bearing seal for 3" OD, also 60-63 taxi & police . . . . .	Pr	\$5.00
6900	60-64 Rear axle bearing seal for 2-7/8" OD . . . . .	Pr	\$5.00
6377	58-64 Posi clutch pak kit. . . . .	Ea	\$153.50
6378	58-64 Differential and Posi bearing and seal rebuild kit (For Posi also need clutch pack Kit 6377) . . . . .	Kit	\$169.00
6525	58-64 Carrier pinion crush sleeve. . . . .	Ea	\$24.00
6526	58-64 Carrier pinion nut . . . . .	Ea	\$8.95
6527	58-64 Carrier pinion rear bearings . . . . .	Ea	\$34.95
7447	55-64 Spider gear kit for standard differentials . . . . .	Ea	\$266.50
7512	55-64 Spider gear set for posi traction . . . . .	Ea	\$329.00
8487	55-64 30 Spline power lock posi conversion w/out clutches . . . . .	Ea	\$246.50
8397	Pinion yoke U bolt type . . . . .	Ea	\$121.00
8398	55-64 Nitro Gear mininum install kit, drop out rear end 8.2" . . . . .	Kit	\$25.00
8399	55-64 Nitro Gear bearing race (thicker race to use 3 series case with 4 series gear. . . . .	Ea	\$28.78
8400	55-64 55P 8.2" 12 PT and 12T X pin bold, standard . . . . .	Ea	\$5.00
8401	55-64 55P 8.2 " GM standard X pin shaft. . . . .	Ea	\$21.00
8402	55-64 12T and 12T X/pin shaft and posi 55T . . . . .	Ea	\$18.00
8403	55-64 Pinion nut washer . . . . .	Ea	\$6.00

### DRIVE SHAFTS . . . . . 13.190

*Built with all new Spicer parts*



### Show Cars Part #3256

Go to Show-Cars.com for updates and many more pictures

3256	58-64 Rear drive shaft Assy. . . . .	Ea	\$165.00
6672	58-64 Telescoping rear drive shaft (+ -1") . . . . .	Ea	\$225.00
6673	58-64 Telescoping rear drive shaft (-0"+2") . . . . .	Ea	\$225.00
6133	58 Drive Shaft front for 3-Speed . . . . .	Ea.	\$225.00
6134R	58 Drive Shaft front for P/G . . . . .	Ea.	\$225.00
6135	58 Drive Shaft front for 4-Speed . . . . .	Ea.	\$225.00
6868R	58 Front drive shaft for 700R4 & turbo 400 . . . . .	Ea	\$225.00
6870R	58 front drive shaft for T350 & 1965 and newer T10, Muncie and Richmond Super T10 . . . . .	Ea	\$225.00
6136	59-64 Drive Shaft front for 3-Speed. . . . .	Ea.	\$225.00
6137	59-64 Drive Shaft front with P/G . . . . .	Ea.	\$225.00



### Show Cars Part #6138

6138	59-64 Front drive shaft for BW T-10, Muncie 4 Speed and T350 . . . . .	Ea.	\$225.00
6406	59-64 Front drive shaft for 65 up BW T-10, Muncie and Richmond 4 speed . . . . .	Ea	\$225.00
6408	59-64 Front drive shaft for T400, 700R4 . . . . .	Ea	\$289.50

### DRIVE SHAFT SLIP YOKE . . . . . 13.240

3258	58-64 T-10, 16 Spline . . . . .	Ea	\$114.00
3259	58-64 Muncie, 27 Spline. . . . .	Ea	\$195.00
6403	58-64 T350 slip yoke . . . . .	Ea	\$93.82
6404	58-64 T400 & Super T-10 slip yoke . . . . .	Ea	\$125.00
6405	58-64 700R4 slip yoke . . . . .	Ea	\$93.82
6201	Front Drive Shaft yoke bolts on rear of front shaft, 10 spline . . . . .	Ea	\$155.00

### DRIVE SHAFT (MISC.) . . . . . 13.290

3260	58-64 Center support bearing . . . . .	Ea	\$21.95
3261	58-64 U-joint, with grease zirt, imported . . . . .	Ea	\$13.50
8085	58-64 U-joint, with grease zirt, USA . . . . .	Ea	\$23.95
6668	58-64 billet aluminum center support with polyurethane bushing. . . . .	Ea	\$79.95
7147	Driveshaft conversion joint. original Chev to 9" Ford rear end with 1350 yoke. . . . .	Ea	\$39.95
7147A	Driveshaft conversion joint. Original Chev to 9" Ford rear end with 1330 yoke . . . . .	Ea	\$29.99
6203	Bolt for bolt on yoke, 10 spline. 1/2x20x1 . . . . .	Ea	\$3.00

### REAR END GEARS . . . . . 13.305

6466	58-64 3:55 Richmond Gear ring & pinion gear set for 3 series . . . . .	Ea	\$269.99
6468	58-64 3:73 Richmond Gear ring & pinion gear set for 3 series . . . . .	Ea	\$269.99

# 507-233-1958 Fax 507-354-1959 1-24 Catalog 111

## REBUILT 3RD MEMBER ..... 13.310

8514-350	59-64 Original rebuilt Ford 9" track lock 3rd member 28 or 31 spline	Ea	\$269.99
8514-370	59-64 Original rebuilt Ford 9" track lock 3rd member. 28 or 31 spline	Ea	\$995.00
8514-389	59-64 Original rebuilt Ford 9" track lock 3rd member. 28 or 31 spline	Ea	\$995.00
8514-411	59-64 Original rebuilt Ford 9" track lock 3rd member. 28 or 31 spline	Ea	\$995.00
7448	55-64 Re-built OEM differential (3.08, 3.36, 3.55, 3.70, 4.11)	Ea	\$1099.00
7449	55-64 Re-built posi rear end (3.08, 3.36, 3.55, 3.70)	Ea	\$1299.00

## REAR END HARDWARE ..... 13.320

2074	55-64 Stainless steel nuts & copper washers . . Set		\$15.80
SC3-08	55-62 Rear axle ID tag	Ea.	\$6.05
SC3-36	55-62 Rear axle ID tag	Ea	\$6.05
SC3-55	55-62 Rear axle ID tag	Ea.	\$6.05



## Show Cars Part #SC3-70

SC3-70	55-62 Rear axle ID tag	Ea.	\$6.05
SC4-11	55-62 Rear axle ID tag	Ea.	\$6.05
SC4-56	55-62 Rear axle ID tag	Ea.	\$6.05
1089	58-64 Plug and gasket	Ea	\$19.80
1089A	58-64 Plug gasket	Ea	\$5.45
1090	58-62 Positraction tag	Ea	\$15.68
1090A	63-64 Positraction tag	Ea.	\$15.68
3221	58-64 Rear end U joint bolts & nuts (2 required)	Ea	\$8.00
4263	58-up Axle housing vent assembly	Ea	\$23.50
8406	55-64 Bolts, ring gear to carrier (requires ten)	Ea	\$2.00
9024	Ford pinion nut, fits 9, 8.8, 8, 7.5, 7.25 inch. . .	Ea	\$6.00
9025	Ford 9 inch pinion yoke 4 in tall 1330 series 28 spline	Ea	\$75.00
9026	Ford 9 inch pinion yoke 5 in tall 1330 series 28 spline	Ea	\$75.00
9027	Ford 9 inch pinion yoke 4 in tall 1310 series 28 spline		

9028	Ford 9 inch pinion yoke 5 in tall 1310 series 28 spline	Ea	\$75.00
9029	Ford 9 inch pinion yoke 4 in tall 1350 series 28 spline	Ea	\$99.00
9030	Ford 9 inch pinion yoke 5 in tall 1350 series 28 spline	Ea	\$99.00

## HOUSING AND AXEL KIT ..... 13.330



## Show Cars Part #7130A7

7130A7	59-64 Moser 9" Ford bolt in housing & axle kit, 4-3/4" Chevy bolt pattern 7/16 stud, 28 spline axle	Kit	\$1,535.00
7130B7	59-64 Moser 9" Ford bolt in housing & axle kit, 4-3/4" Chevy bolt pattern 7/16 stud, 31 spline axle	Kit	\$1,535.00
7130C7	59-64 Moser 9" Ford bolt in housing & axle kit, 4-3/4" Chevy bolt pattern 7/16 stud, 33 spline axle	Kit	\$1,535.00
7130D7	59-64 Moser 9" Ford bolt in housing & axle kit, 4-3/4" Chevy bolt pattern 7/16 stud, 35 spline axle	Kit	\$1,535.00
7130E7	59-64 Moser 9" Ford bolt in housing & axle kit, 4-3/4" Chevy bolt pattern 7/16 stud, 40 spline axle	Kit	\$1,535.00
7130A1	59-64 Moser 9" Ford bolt in housing & axle kit, 4-3/4" Chevy bolt pattern 1/2 stud, 28 spline axel	Kit	\$1,535.00
7130B1	59-64 Moser 9" Ford bolt in housing & axle kit, 4-3/4" Chevy bolt pattern 1/2 stud, 31 spline axle	Kit	\$1,535.00
7130C1	59-64 Moser 9" Ford bolt in housing & axle kit, 4-3/4" Chevy bolt pattern 1/2 stud, 33 spline axle	Kit	\$1,535.00
7130D1	59-64 Moser 9" Ford bolt in housing & axle kit, 4-3/4" Chevy bolt pattern 1/2 stud, 35 spline axle	Kit	\$1,535.00
7130E1	59-64 Moser 9" Ford bolt in housing & axle kit, 4-3/4" Chevy bolt pattern 1/2 stud, 40 spline axle	Kit	\$1,535.00
7130P	Drain Plug for 9" Ford axle	Ea	\$37.00
7131	Fourth link weld on bracket for 9" Ford Housing	Ea	\$57.20
59-64 9"	Ford OEM type rear disk brakes	Kit	\$385.00
7436	59-64 9" Ford OEM type rear disk brakes, with park brakes, less cables	Kit	\$495.00
7437	59-64 9" Ford OEM type cross drilled rear disk brakes	Kit	\$470.00
7438	59-64 9" Ford rear brake drum	Kit	\$470.00
7439	59-64 Ford Wilwood front brakes	Kit	\$749.00
7440	59-64 Ford Wilwood rear brakes	Kit	\$799.00

**All prices subject to change without notice. Any installed part is not returnable**

# Page 112 Show-Cars.com 1-24 Catalog

## AFTERMARKET POSI UNITS . . . . 13.335

8488 55-64 10 Bolt Gm 8.2" differential ring gear spacer  
 . . . . . Ea \$99.50

## CENTER SECTIONS . . . . . 13.340

7132-350 59-64 Moser 9" Ford Nodular case center section 31 spline  
 limited slip posi 3.70 ratio . . . . . Ea \$1536.00  
 7132-370 59-64 Moser 9" Ford Nodular case center section 31 spline  
 limited slip posi 3.70 ratio . . . . . Ea \$1536.00  
 7132-389 59-64 Moser 9" Ford Nodular case center section 31 spline  
 limited slip posi 3.89 ratio . . . . . Ea \$1536.00  
 7132-411 59-64 Moser 9" Ford Nodular case center section 31 spline  
 limited slip posi 4.11 ratio. . . . . Ea \$1536.00  
 7132-430 59-64 Moser 9" Ford Nodular case center section 31 spline  
 limited slip posi 4.30 ratio . . . . . Ea \$1536.00  
 7132-456 59-64 Moser 9" Ford Nodular case center section 31 spline  
 limited slip posi 4.56 ratio . . . . . Ea \$1536.00  
 7134-350 59-64 Curre 9" Ford Nodular case center section 31 spline  
 limited slip posi 3.50 ratio . . . . . Ea \$1536.00  
 7134-370 59-64 Curre 9" Ford Nodular case center section 31 spline  
 limited slip posi 3.70 ratio . . . . . Ea \$1536.00  
 7134-389 59-64 Curre 9" Ford Nodular case center section 31 spline  
 limited slip posi 3.89 ratio . . . . . Ea \$1536.00  
 7134-411 59-64 Curre 9" Ford Nodular case center section 31 spline  
 limited slip posi 4.11 ratio. . . . . Ea \$1536.00  
 7134-430 59-64 Curre 9" Ford Nodular case center section 31 spline  
 limited slip posi 4.30 ratio . . . . . Ea \$1536.00  
 7441 59-64 Moser 9" Ford nodular Iron case center section 40  
 spline racing spool (3.89, 4.11, 4.30, 4.56) . . . Ea \$1038.00  
 8514-350 59-64 Rebuilt Trac-Lock center section. 3:50 ratio, 28 or 31  
 spline . . . . . Ea \$995.00  
 8514-370 59-64 Rebuilt Trac-Lock center section 3:70 ratio, 28 or 31  
 spline . . . . . Ea \$995.00  
 8514-389 59-64 Rebuilt Trac-Lock center section. 3:89ratio, 28 or 31  
 spline . . . . . Ea \$995.00  
 8514-411 59-64 Rebuilt Trac-Lock center section 4:11 ratio, 28 or 31  
 spline . . . . . Ea \$995.00

## REAR CONTROL ARMS . . . . . 13.350



8191 59-64 Rear upper control arm w/bushings (original style)  
 . . . . . Ea \$73.00  
 7135 59-64 Rear upper control arm w/poly bushings Ea \$97.00  
 4232 59-64 Rear upper control arm reinforcement passenger side  
 . . . . . Ea \$39.60  
 6542 59-64 Rear upper control arm reinforcement driver side  
 . . . . . Ea \$39.60



## Show Cars Part #6538

6538 59-64 4th Link weld on bracket to the top driver side of the  
 rear axel . . . . . Ea \$52.80  
 7131 Fourth link weld on bracket for 9" Ford Housing  
 . . . . . Ea \$57.20  
 7137 59-64 Rear upper control arm frame end bracket  
 . . . . . Ea \$88.00  
 7138 59-64 Boxed rear lower control arms w/poly bushings  
 . . . . . Pr \$344.00

**Go to Show-Cars.com for updates and many more pictures**



# 507-233-1958 Fax 507-354-1959 1-24 Catalog 113

- 7136 59-64 Adjustable rear upper control arm w/poly bushings  
..... Ea \$173.50
- 8793 59-64 Rear tubular upper control arm kit. Includes 2 upper  
control arms, 2 frame end brackets, 2 reinforcements 4th link  
weld on bracket, 6 grade 5 bolts nuts and washers  
..... Kit \$449.00
- 8794 59-64 Rear tubular adjustable upper control arm kit. Includes  
2 adjustable upper control arms, 2 frame end brackets, 2 rein-  
forcements 4th link weld on bracket, 6 grade 5 bolts nuts and  
washers ..... Kit \$549.00
- 7138A 59-64 Rear control arm kit, 2 upper & 2 lower w/poly bush-  
ings ..... Kit \$481.78



## Show Cars Part #7142



## Show Cars Part #7139

- 7139 59-64 Rear control arm kit, 2 adjustable upper & 2 lower w/  
poly bushings ..... Kit \$581.79
- 7529 58 Rear end alignment shims ..... Set \$29.15
- 1145 59-64 Rear end alignment shims. .... Set \$14.30

## REAR AXELS ..... 13.370

- 8160 58 High performance forged alloy racing axels with bearings  
and 7/16 studs ..... Pr \$658.00
- 6540 59-64 High performance forged alloy racing axels 2.25" from  
wheel flange to bearing seal for 7/16 studs ... Pr \$476.00
- 6541 58 High performance forged alloy racing axels for 7/16 studs  
..... Pr \$476.00
- 7197 59-64 Moser racing axels for 1/2" studs. .... Pr \$476.00
- 7585 59-64 High performance forged alloy racing axels with bear-  
ings for 7/16 studs. .... Pr \$658.00
- 8404 58-64 55P 17 spline 28-7/16" driver axle shaft, GM  
..... Ea \$275.00
- 8405 58-64 55P 17 spline 30" passenger axle shaft, GM  
..... Ea \$275.00
- 7198 58-64 1/2" x 3" Axle studs .615 knurl (10). . . .  
..... Set \$29.95
- 8385 58-64 1/2" x 1-1/2" Wheel studs .530 knurl (10) Set \$29.95

## REAR END KITS, 9" FORD ..... 13.380

- 7141 59-64 9" Ford Rear end and control arm bolt in kit includes  
Moser housing & axels, Show Cars 4th link bracket, (needs  
to be welded) rebuilt 9" Ford center section, 2 UMI upper  
control arms, 2 UMI lower control arms . . . . Kit \$2599.00
- 7142 59-64 9" Ford Rear end and control arm bolt in kit includes  
Moser housing & axels, Show Cars 4th link bracket, (needs to  
be welded) rebuilt 9" Ford center section, 2 UMI adjustable  
upper control arms, 2 UMI lower control arms  
..... Kit \$2799.00

## WHEELS ..... 13.400

- 8077 58-64 OEM 14x6 steel wheel, raw. Works with 11" disk  
brakes ..... Ea \$96.50
- 8078 58-64 OEM 14x6 steel wheel, chrome. Works with 11" disk  
brakes ..... Ea \$139.50
- 8079 58-64 Custom 14X6 steel wheel, chrome with center cap,  
smooth, no vents ..... Ea \$137.00

**All prices subject to change without notice. Any installed part is not returnable**

## Doors . . . . . 14

### DOOR HINGE . . . . . 14.050

1166 58-64 Hinge pin & bushings 3 pieces-enough for 1 hinge  
 . . . . . Set \$7.95



### Show Cars Part #1166A

1166A 58-64 Hinge pin & bushing with roller, 8 piece set (Repairs 1 door) . . . . . Set \$28.00  
 6322 58-60 Door striker plate . . . . . Set \$38.00  
 7084 61-64 Lower door hinge spring. . . . . Ea \$6.00  
 7714 62-64 Upper door hinge . . . . . Ea \$84.00  
 7715 62-64 Lower door hinge, passenger . . . . . Ea \$98.00  
 7716 62-64 Lower door hinge, driver . . . . . Ea \$98.00

### WINDOW HANDLE CRANKS . . . . .

6653 58-64 Interior window handle 58-60 Bel Air and 58-64 Biscayne . . . . . Ea \$12.50  
 6654 58-64 Interior vent window handle, 58-60 Bel Air and 58-64 Window handle, Biscayne. . . . . Ea \$12.50  
 5506 61-64 Window handle. . . . . Ea \$8.50  
 5507 61-64 Vent window . . . . . Ea \$8.50

### DOOR HANDLES, INSIDE . . . . .



### Show Cars Part #3471

3471 59-67 inner door handles Impala made in USA . . . . . Pr \$63.95  
 6652 58-64 Interior door handle. (58-60 Bel Air, and 58-64 Biscayne) . . . . . Ea \$10.50



### Show Cars Part #6652

### DOOR HANDLES OUTSIDE, AMERICAN MADE . . . . . 14.075

6426 58 Door handle set . . . . . Pr \$159.95  
 6427 60 Door handle set . . . . . Pr \$89.95  
 6910 60 Door handle set, front, 4 door . . . . . Pr \$89.95  
 6911 60 Door handle set, rear, 4 door . . . . . Pr \$89.95  
 3473 61-62 Door handle set. . . . . Pr \$89.95  
 3473R 61-62 Door handle set, rear. . . . . Pr \$82.95  
 3474 63-64 Door handle set. . . . . Pr \$105.00  
 3474R 63-64 Door handle set, rear 4 door . . . . . Pr \$95.95  
 7905 60 Push Button, 2 dr . . . . . Pr \$46.95

### DOOR HANDLES OUTSIDE, IMPORTED . . . . . 14.080

7767 58 Door handle assembly 2 & 4 dr front. . . . . Pr \$86.45  
 3752 59 Door handle assembly 2 dr front . . . . . Pr \$79.80  
 7768 60 Door handle assembly 2 dr front . . . . . Pr \$42.56  
 7906 60 Door handle assembly 2 & 4 dr front. . . . . Pr \$42.56  
 7907 60 Door handle assembly 4 dr rear . . . . . Pr \$52.00  
 6595 61-62 Door handle assembly 2 & 4dr front . . . Pr \$54.50  
 6595R 61-62 Door handle assembly 4 dr rear . . . . . Pr \$42.56  
 6596 63-64 Door handle assembly 2 & 4dr front . . . Pr \$42.56  
 6596R 63-64 Door handle assembly 4 dr rear . . . . . Pr \$42.56

### DOOR HANDLE AND LOCK GASKETS. . . . . 14.090

*The following sets have enough gaskets for two doors*

3987 58 Handle and lock gasket . . . . . Set \$7.85  
 3988 59 Handle and lock gasket . . . . . Set \$11.50  
 3989 60 Handle and lock gasket . . . . . Set \$11.50  
 1188A 61-62 Handle and lock gasket . . . . . Set \$6.50  
 1188B 63-64 Handle and lock gasket . . . . . Set \$7.99

### DOOR HANDLE BUSHING PLATE . 14.140

1188 58-64 Door handle bushing plate . . . . . Ea \$2.99  
 5975 58-up Door handle + window crank clip, 8 pcs . . . . . Set \$4.00

Go to Show-Cars.com for updates and many more pictures

# 507-233-1958 Fax 507-354-1959 1-24 Catalog 115

## Sheet Metal . . . . 15

Note: Most sheet metal is available for local pick up only. We do not ship sheet metal.

### FLOOR BRACES . . . . . 15.090

8718	58 #1 Front floor brace, driver . . . . .	Ea	\$175.00
8719	58 #1 Front floor brace, passenger . . . . .	Ea	\$175.00
8720	58 #2 Middle floor brace at front of front seat, driver . . . . .	Ea	\$245.00
8721	58 #2 Middle floor brace at front of front seat, passenger . . . . .	Ea	\$255.00
8722	58 #3 Middle floor brace at rear of front seat, driver . . . . .	Ea	\$109.95
8723	58 #3 Middle floor brace at rear of front seat, passenger . . . . .	Ea	\$189.00
8724	58 #4 Rear floor brace front of rear seat, driver . . . . .	Ea	\$185.00
8725	58 #4 Rear floor brace front of rear seat, passenger . . . . .	Ea	\$185.00
5826	59-60 #1 Front floor brace driver side . . . . .	Ea	\$239.00
5829	59-60 #1 Front floor brace passenger side . . . . .	Ea	\$239.00
5827	59-60 #2 Front seat brace driver side . . . . .	Ea	\$119.00
5830	59-60 #2 Front seat brace passenger side . . . . .	Ea	\$79.00
7571	59-60 #3 Floor brace, driver side . . . . .	Ea	\$379.00
7570	59-60 #3 Floor brace, passenger side . . . . .	Ea	\$379.00
5828	59-60 #4 Rear floor brace driver side . . . . .	Ea	\$239.00
5831	59-60 #4 Rear floor brace passenger side . . . . .	Ea	\$239.00
3101	61-64 #1 Front floor brace driver side . . . . .	Ea	\$129.90
3100	61-64 #1 Front floor brace passenger side . . . . .	Ea	\$129.90
6768	61-64 #1 Front floor brace full length (imported) . . . . .	Ea	\$116.50
3103	61-64 #2 Middle floor brace driver side . . . . .	Ea	\$179.90
3102	61-64 #2 Middle floor brace passenger side . . . . .	Ea	\$179.90
6770	61-64 #2 Front seat brace driver side imported . . . . .	Ea	\$84.00
6769	61-64 #2 Front seat brace passenger side imported . . . . .	Ea	\$79.99
3105	61-64 #3 Rear driver or passenger . . . . .	Ea	\$85.00
6771	61-64 #3 Rear driver or passenger imported . . . . .	Ea	\$77.00
6772	61-64 #4 Rear Floor pan brace full length imported . . . . .	Ea	\$142.50
6366	61-64 Floor Pan Brace Rear of Trunk pan Full Length, made in the USA. . . . .	Ea	\$125.00
7572	62-64 Bucket seat mounting brackets (4) . . . . .	Set	\$115.50
7002	61-64 Gas tank mount brace . . . . .	Ea	\$365.00
7003	61-64 Gas tank locator brace (2 required) . . . . .	Ea	\$135.00
7004	61-64 Upper trunk floor brace, parallel with frame, fits driver of passenger side . . . . .	Ea	\$295.00

### BODY MOUNT . . . . . 15.140

3418	61-64 Rear Body Mount box brace Passenger Side . . . . .	Ea	\$159.00
3419	61-64 Rear Body Mount box brace Driver Side . . . . .	Ea	\$159.00

5976 58-Up Door handle & wind crank spring, 12 pcs . . . . . Set \$11.00

### MIRRORS (DOOR) . . . . . 14.190

2030	58 Door mirror with hardware . . . . .	Ea	\$74.95
2031	59-60 Door mirror with hardware . . . . .	Ea	\$74.95
2032	61-62 Door mirror with hardware . . . . .	Ea	\$74.95
2033	63-64 Door mirror with hardware . . . . .	Ea	\$74.95

### MIRROR MOUNTING KITS (DOOR) 14.240

2034	58 Mounting kit . . . . .	Set	\$11.00
2035	59-60 Mounting kit . . . . .	Set	\$11.00
2036	61-62 Mounting kit . . . . .	Set	\$11.00
2037	63-64 Mounting kit . . . . .	Set	\$11.00

### MIRROR MOUNTING SCREWS . . . 14.240

2038	63-64 door mirror trim screw . . . . .	Ea	\$1.10
------	--	----	--------

### GASKETS (DOOR MIRROR) . . . . . 14.240

2039	59-60 Mirror gasket . . . . .	Ea	\$13.50
2040	61-62 Mirror gasket . . . . .	Ea	\$3.85
2041	63-64 Mirror gasket . . . . .	Ea	\$12.95

### DOOR BUMPERS . . . . . 14.340

4271	58-64 Oval door bumper . . . . .	Ea	\$8.50
4273	58-64 Square door bumper (4) . . . . .	Set	\$14.00

### DOOR LATCH . . . . . 14.440

6734	63 Doorlatch, passenger side . . . . .	Ea	\$79.95
6735	63 Doorlatch, driver side . . . . .	Ea	\$79.95
8133	63-64 Door catch assembly . . . . .	Pr	\$79.95

All prices subject to change without notice. Any installed part is not returnable

# Page 116 Show-Cars.com 1-24 Catalog

6609	61-64 Rear Body Mount box brace Passenger Side imported	7378	59-60 Outer rocker panel, driver 2 door . . . . . Ea	\$48.13	
	..... Ea	\$52.80	7316	61-64 Outer rocker panel passenger 2 door . . . Ea	\$265.00
6610	61-64 Rear Body Mount box brace Driver Side imported	7317	61-64 Outer rocker panel driver 2 door . . . . . Ea	\$295.00	
	..... Ea	\$52.80			
7080	61-64 Rear box brace side cover, passenger . . Ea	\$28.59	3295	59-60 Inner Rocker Panels (driver and passenger)	
7081	61-64 Rear box brace side cover, driver . . . . . Ea	\$42.90		..... Set	\$189.00

## FLOOR PAN . . . . . 15.160

8726	58 Front toe board pan, driver . . . . . Ea	\$326.00
8727	58 Front toe board pan, passenger . . . . . Ea	\$375.00
8728	58 Front floor pan, driver . . . . . Ea	\$285.00
8729	58 Front floor pan, passenger . . . . . Ea	\$265.00
8730	58 Rear floor pan, driver . . . . . Ea	\$270.00
8731	58 Rear floor pan, passenger . . . . . Ea	\$285.00
8700	59-60 Front driver floor pan . . . . . Ea	\$259.00
8701	59-60 Front passenger floor pan . . . . . Ea	\$157.00
8702	59-60 Rear driver floor pan . . . . . Ea	\$269.00
8703	59-60 Rear passenger floor pan . . . . . Ea	\$269.00
8704	59-60 Rear driver under rear seat floor pan . . . Ea	\$269.00
8705	59-60 Rear passenger under rear seat floor pan Ea	\$269.00
8706	59-60 Full floor pan no braces . . . . . Ea	\$2,350.00

## 61-64 Complete floor pan . . . . . Ea \$1,130.00

7661	61-64 Rear seat floor pan . . . . . Ea	\$102.50
7182	61-64 Full passenger floor pan . . . . . Ea	\$230.00

7183	61-64 Full Driver floor pan . . . . . Ea	\$128.99
7669	61-64 Front passenger floor pan . . . . . Ea	\$164.00
7670	61-64 Rear passenger floor pan . . . . . Ea	\$164.00
7671	61-64 Front driver floor pan . . . . . Ea	\$164.00
7672	61-64 Rear driver floor pan . . . . . Ea	\$164.00
8716	61-64 Toe board floor pan, driver . . . . . Ea	\$299.00
8717	61-64 Toe board floor pan, passenger . . . . . Ea	\$299.00

8845	65-70 Full size Chev passenger front floor pan	
	..... Ea	\$130.50
8846	65-70 Full size Chev driver front floor pan . . . Ea	\$130.50

## TRANSMISSION TUNNEL EXTENSION . . . 15.190

4242	60, 4 speed transmission . . . . . Ea	\$65.45
5938	61-63 Template for trans tunnel extension . . . Ea	\$11.00

4243	61-63 4 Speed and automatic transmission . . . Ea.	\$65.45
2311	60-64 Tunnel extension seal . . . . . Ea.	\$59.00

## ROCKER PANELS . . . . . 15.330

7518	58 Driver outer rocker panel . . . . . Ea.	\$265.00
7519	58 Passenger outer rocker . . . . . Ea.	\$210.00
7520	58 Inner rocker driver side 2 door . . . . . Ea.	\$249.00
7521	58 Inner rocker, passenger side 2 door . . . . . Ea.	\$215.00
7379	59-60 Outer rocker panel, passenger 2 door . . . Ea	\$48.13

508	59-60 Inner Rocker Panels (driver and passenger)	
	..... Set	\$189.00
3295L	59-60 Inner driver . . . . . Ea	\$99.95
3295R	59-60 Inner passenger . . . . . Ea	\$99.95
1049	61-64 Inner Rocker Panels (driver and passenger)	
	..... Set	\$189.00
1049L	61-64 Inner driver . . . . . Ea	\$99.95
1049R	61-64 Inner passenger . . . . . Ea	\$99.95
4256	61-64 Inner Rocker Panel Reinforcements . . . . (65" Long)	
	..... Ea	\$42.90
7663	62-64 Outer rocker panel assembly, passenger.	
	..... Ea	\$234.82
7664	62-64 Outer rocker panel assembly, driver . . . Ea	\$234.82

## FENDERS . . . . . 15.400

7581	62 Front passenger fender . . . . . Ea	\$419.00
7582	62 Front driver fender . . . . . Ea	\$419.00
6974	63 Front passenger fender . . . . . Ea	\$349.00
6975	63 Front driver fender . . . . . Ea	\$349.00
6976	64 Front passenger fender . . . . . Ea	\$419.00
6977	64 Front Driver fender . . . . . Ea	\$419.00
9174	65 Front fender passenger . . . . . Ea	\$435.00
9175	65 Front driver fender . . . . . Ea	\$435.00

8120	62 Inner fender, passenger . . . . . Ea	\$163.50
8121	62 inner fender, driver . . . . . Ea	\$163.50
7650	63 Inner fender, passenger . . . . . Ea	\$163.50
7651	63 inner fender, driver . . . . . Ea	\$163.50
7652	64 Inner fender, passenger . . . . . Ea	\$163.50
7653	64 Inner fender, driver . . . . . Ea	\$163.50

7649	64 Fender to valance bracket . . . . . Ea	\$6.99
8081	62 Impala front fender skirt brace, pass. . . . . Ea	\$69.50
8082	62 Impala front fender skirt brace, driver . . . . . EA	\$69.50

## HOODS . . . . . 15.420

9074	62 Full size hood . . . . . Ea	\$545.00
8521	62 Hood latch assembly . . . . . Ea	\$59.50
8522	62 Hood latch support . . . . . Ea	\$42.50
6978	63 Full size hood . . . . . Ea	\$425.00
7657	63 Hood latch assembly . . . . . Ea	\$48.00
6979	64 Full size hood . . . . . Ea	\$448.00
7658	64 Hood latch assembly . . . . . Ea	\$47.00
9041	65 Full size hood . . . . . Ea	\$412.00
9042	65 Full size header panel . . . . . Ea	\$158.00

## QUARTER PANELS . . . . . 15.440

9163	62 Driver full quarter panel modify for convertible	
	..... EA	\$520.00
9164	62 Passenger full quarter panel ,odify fo convertible	
	..... Ea	\$520.00

Go to Show-Cars.com for updates and many more pictures

# 507-233-1958 Fax 507-354-1959 1-24 Catalog 117

7576	63-64 Front lower quarter, drive . . . . .	Ea	\$125.00
6980	63 Quarter panel, passenger . . . . .	Ea	\$399.00
6981	63 Quarter panel, driver . . . . .	Ea	\$399.00
6982	64 Quarter panel, passenger . . . . .	Ea	\$399.00
6983	64 Quarter panel, driver . . . . .	Ea	\$399.00

## TRUNK . . . . . 15.460

8732	58 Trunk floor pan, driver . . . . .	Ea	\$389.00
8733	58 Trunk floor pan, passenger . . . . .	Ea	\$389.00
8734	58 Spare tire well . . . . .	Ea	\$339.00
8735	58 Trunk floor filler, driver . . . . .	Ea	\$205.00
8736	58 Trunk floor filler, passenger . . . . .	Ea	\$279.00

8707	59 Center spare tire well . . . . .	Ea	\$336.00
8708	59 Driver spare tire well . . . . .	Ea	\$355.00
8709	59 Passenger side trunk floor . . . . .	Ea	\$285.00
8710	59-60 Driver side trunk floor . . . . .	Ea	\$279.00
8711	59-60 Center trunk floor . . . . .	Ea	\$319.00

8712	60 Passenger side trunk floor . . . . .	Ea	\$340.00
8713	60 Rear trunk floor extension . . . . .	Ea	\$340.00

8126	59-72 Trunk lid latch. . . . .	Ea	\$29.95
7712	62 Trunk weatherstrip panel . . . . .	Ea	\$237.99
6986	63 Impala trunk lid . . . . .	Ea	\$520.00
6984	64 Impala trunk lid . . . . .	Ea	\$459.00
6985	64 Biscayne, Bel Air trunk lid. . . . .	Ea	\$439.00
7513	64 Trunk floor drop off, driver side. . . . .	Ea	\$67.99

7704	61-64 Trunk shelf panel . . . . .	Ea	\$550.00
7705	61-64 Trunk floor to top of well . . . . .	Ea	\$143.99
7315	61-64 Trunk center section lower floor pan . . . . .	Ea	\$185.00
8527	62 Complete trunk floor/shelf panel . . . . .	Ea	\$1969.00
8529	62 Trunk floor drop off, passenger . . . . .	Ea	\$68.00
8530	62 Trunk floor drop off, driver . . . . .	Ea	\$68.00
8531	62 Complete trunk floor pan . . . . .	Ea	\$579.99
7708	63-64 Trunk floor outer panel . . . . .	Ea	\$117.99
7713	63-64 Trunk weatherstrip channel . . . . .	Ea	\$237.99
7709	63 Trunk floor drop off, passenger . . . . .	Ea	\$67.99
7710	63 Trunk floor drop off, driver . . . . .	Ea	\$67.99
7706	63 Complete trunk floor pan . . . . .	Ea	\$597.99
7435	63 Complete trunk floor/ shelf panel . . . . .	Ea	\$1969.00

8528	64 Complete trunk floor/shelf panel . . . . .	Ea	\$1969.00
7711	64 Trunk floor drop off, passenger . . . . .	Ea	\$67.99
7707	64 Complete trunk floor pan . . . . .	Ea	\$597.99
7690	64 Deck lid filler panel w/package shelf. . . . .	Ea	\$184.99

## REAR BODY PANEL . . . . . 15.461

8862	62 Rear body panel . . . . .	Ea	\$129.00
8863	62 Tail light mounting panel, driver . . . . .	Ea	\$84.99
8864	62 Tail light mounting panel, passenger . . . . .	Ea	\$84.99
7060	63 Rear body panel . . . . .	Ea	\$69.00
7061	64 Rear body panel . . . . .	Ea	\$69.00
7673	63 Tail light mounting panel, passenger . . . . .	Ea	\$82.50
7674	63 Tail light mounting panel, driver . . . . .	Ea	\$71.99

7675	64 Tail light mounting panel, passenger . . . . .	Ea	\$75.99
7676	64 Tail light mounting panel, driver . . . . .	Ea	\$75.99
9075	65 Trunk rear body panel 4 pcs. . . . .	Set	\$220.00

## DOORS . . . . . 15.480

7573	63-64 Lower door skin, passenger . . . . .	Ea	\$51.99
7574	63-64 Lower door skin, driver . . . . .	Ea	\$51.99
6987	63 Impala door shell, passenger . . . . .	Ea	\$459.00
6988	63 Impala door shell, driver . . . . .	Ea	\$530.00
6989	64 Impala door shell, passenger . . . . .	Ea	\$530.00
6990	64 Impala door shell, driver . . . . .	Ea	\$419.00
7702	64 Gas filler door . . . . .	Ea	\$69.99

## COWL . . . . . 15.485

7654	62-64 Outer cowl, passenger. . . . .	Ea	\$47.50
7655	62-64 Outer cowl, driver. . . . .	Ea	\$47.50

## RADIATOR SUPPORT . . . . . 15.490

7766	62 Radiator support, lower . . . . .	Ea	\$195.00
7766U	62 Radiator support, upper . . . . .	Ea	\$159.00
8349	62 Radiator grill supports, 3 pcs . . . . .	Set	\$89.00
7507	63 Radiator support, lower . . . . .	Ea	\$225.00
7508	63 Radiator support, upper . . . . .	Ea	\$41.50
7509	64 Radiator support, lower . . . . .	Ea	\$185.00
7510	64 Radiator support, upper . . . . .	Ea	\$41.50

## DASH . . . . . 15.495

7659	63-64 Steel dash panel . . . . .	Ea	\$217.99
------	----------------------------------	----	----------

## WHEELHOUSE. . . . . 15.500

7598	59-60 Rear frame cross member . . . . .	Ea	\$54.99
7599	61-64 Rear frame cross member . . . . .	Ea	\$54.99
9165	62 Driver rear outer wheelhouse. . . . .	Ea	\$245.00
9166	62 Passenger rear outer wheelhouse . . . . .	Ea	\$245.00
7665	63 Complete quarter panel wheelhouse, inner and outer, all except convertible, passenger . . . . .	Ea	\$311.99
7666	63 Complete quarter panel wheelhouse, inner and outer, all except convertible, driver . . . . .	Ea	\$323.99
7667	64 Complete quarter panel wheelhouse, inner and outer, all except convertible, passenger . . . . .	Ea	\$311.99
7668	64 Complete quarter panel wheelhouse, inner and outer, all except convertible, driver . . . . .	Ea	\$323.99
7639	63-64 Wheelhouse to quarter brace, passenger . . . . .	Ea	\$43.99
7640	63-64 Wheelhouse to quarter brace, driver . . . . .	Ea	\$43.99
7641	63-64 Wheelhouse to rocker lower extension, passenger . . . . .	Ea	\$23.50
7642	63-64 Wheelhouse to rocker lower extension, driver . . . . .	Ea	\$23.50

## ROOF . . . . . 15.510

7703	62-64 Roof drip rails. . . . .	Pr	\$177.99
------	--------------------------------	----	----------

**All prices subject to change without notice. Any installed part is not returnable**

# Page 118 Show-Cars.com 1-24 Catalog

## Battery . . . . . 16

### BATTERY TRAYS . . . . . 16.050

2091	58 Battery Tray Full size . . . . .	Ea	\$31.45
2092	59-61 Battery Tray Full size . . . . .	Ea	\$33.50
2093	62-63 Battery Tray Full size . . . . .	Ea	\$24.95
2094	64 Battery Tray Full size . . . . .	Ea	\$24.95

### BATTERY TOP RETAINERS . . . . . 16.090

2091A	57-58 Battery Top Retainer . . . . .	Ea	\$10.95
4785	58 J Bolts and wing nuts for Battery Top Retainer-6 pieces . . . . .	Set	\$14.80
2097	58-63 Battery top wing nut . . . . .	Ea	\$5.50
4204	59-61 Battery Top retainer except 60 . . . . .	Ea	\$12.00
2096	59-63 J bolt & wing nut for battery top retainer . . . . .	Set	\$10.34
2093A	60, 62-63 Battery Top Retainer . . . . .	Ea	\$11.00
2095	64 Battery Top Retainer . . . . .	Ea	\$11.50
2095A	64 3 Piece bolt set for Battery top retainer . . . . .	Set	\$10.95

### BATTERY CABLES

BC-02845	58 Battery cable negative, small block and 6 cylinder . . . . .	Ea.	\$64.00
BC-29420	58 348 battery cable negative . . . . .	Ea	\$65.00
BC-21675	58 Battery cable 6 cylinder positive . . . . .	Ea.	\$65.00
BC-21680	58 Battery cable 8 cylinder positive . . . . .	Ea.	\$64.00
BC-02785	58 348 Battery cable positive . . . . .	Ea	\$65.00
BC-04840	59 Battery cable positive, small block and 6 cyl . . . . .	Ea.	\$50.00
BC-02835	59 Battery cable negative,6 cylinder . . . . .	Ea.	\$65.00
BC-02845	59-60 Battery cable negative small block . . . . .	Ea.	\$50.00
BC-38072	59-60 Battery cable negative 348 . . . . .	Ea.	\$65.00
BC-38065	59-60 Battery cable positive, 348 . . . . .	Ea.	\$65.00
BC-02840	60 Battery cable negative 6 cylinder . . . . .	Ea.	\$65.00
BC-02845	60 Battery cable negative small block . . . . .	Ea.	\$65.00

BC-03285	60 Positive battery cable small block and 6 cylinder . . . . .	Ea.	\$65.00
----------	--	-----	---------

### SPRING RING BATTERY CABLES . 16.140

BC-03330	61 Negative, 348 C.I. . . . .	Ea.	\$72.00
BC-03320	61 Negative, 6 cylinder . . . . .	Ea.	\$64.00
BC-03310	61 Positive, 283 c.i. . . . .	Ea	\$72.00
BC-03315	61 Positive, 348 c.i. . . . .	Ea.	\$72.00
BC-04105	61 Positive 6 cyl. . . . .	Ea.	\$64.00
BC-03325	61-62 Negative, 283 C.I. . . . .	Ea	\$72.00
BC-04010	62-63 Negative, 327 Special high performance and 63 409 . . . . .	Ea.	\$72.00
BC-03330	62 Negative, 409 c.i. . . . .	Ea.	\$72.00
BC-03325	62 Negative, 6 cylinder . . . . .	Ea.	\$50.00
BC-03310	62 Positive 283 c.i. . . . .	Ea.	\$50.00
BC-03315	62 Positive,327 c.i. special high performance. . . . .	Ea.	\$55.00

BC-03315	62 Positive, 409 c.i. . . . .	Ea.	\$50.00
BC-04105	62 Positive 6 cyl. . . . .	Ea.	\$72.00
BC-18925	63 positive 6 cyl . . . . .	Ea	\$72.00

BC-03930	63 Positive V8 . . . . .	Ea	\$72.00
BC-05385	64 Positive small block . . . . .	Ea	\$72.00
BC-21130	64 Positive, 409 c.i. without A/C. . . . .	Ea.	\$72.00
BC-20780	64 Positive 6 cyl . . . . .	Ea	\$72.00
BC-05410	64 Positive all V8 . . . . .	Ea	\$72.00
BC-05040	64 Negative 6 Cyl . . . . .	Ea	\$72.00
BC-05395	64 Negative 6 Cyl with air . . . . .	Ea	\$72.00

BC-05145	64 Negative 283/327 with air . . . . .	Ea	\$72.00
BC-05055	64-67 Negative . . . . .	Ea	\$72.00
BC-05050	64-65 Negative 65 all V8 without Air except 65 409 . . . . .	Ea	\$72.00
BC-05045	64-66 Negative all V8 without air . . . . .	Ea	\$72.00
BC-05455	65-66 Positive, all V8. . . . .	Ea	\$72.00
BC-04665	65-66 Negative 396/427 with Air . . . . .	EA	\$64.00

### BATTERY CABLE CLIPS . . . . . 16.190

2110	64-up To oil pan . . . . .	Ea	\$9.89
2111	64-up To frame . . . . .	Ea	\$5.50
4860	All battery post washer . . . . .	Ea.	\$1.05

Go to Show-Cars.com for updates and many more pictures

# Decals . . . . . 17

## AIR CLEANER DECALS . . . . . 17.050

SC5482	55-58 Oil bath air cleaner transfer (Orange) Ea	\$17.85
DC501	58 283/327 2 and 4 barrel . . . . . Ea.	\$8.50
DC699	58-61 348 3x2 . . . . . Ea.	\$8.50
DC436	59-62 Air cleaner maintenance instruction sticker 1x4 . . . . . Ea	\$8.50



## Show Cars Part #SC2120A

SC2120A	62 409 2x4 . . . . . Ea.	\$8.42
DG7	62-65 2BBL . . . . . Ea.	\$4.00
DC148	63-64 409 425 hp . . . . . Ea	\$3.99
HM142	63-65 409 400 hp . . . . . Ea	\$10.50
HM247	63-65 409 340 hp . . . . . Ea	\$10.50

## JACKING INSTRUCTIONS . . . . . 17.090

HM878	58 Jacking Instructions . . . . . Ea	\$3.99
HM879	59 Jacking Instructions . . . . . Ea	\$3.99
HM880	60 Jacking Instructions . . . . . Ea	\$3.99
HM881	61 Jacking instructions . . . . . Ea.	\$3.99
HM881B	61 Convertible Jacking instructions . . . . . Ea	\$3.99
HM882	62 Jacking instructions . . . . . Ea	\$3.99
SC2135	62 Convertible Jacking instructions . . . . . Ea	\$3.99
HM883	63 Jacking Instructions . . . . . Ea	\$3.99
SC2136	63 Convertible Jacking instructions . . . . . Ea	\$4.54
HM884	64 Jacking Instructions . . . . . Ea	\$3.99
SC2137	64 Convertible Jacking Instructions . . . . . Ea	\$3.99

## POSITRACTION DECAL . . . . . 17.140

HM899	59-71 . . . . . Ea	\$5.65
-------	--------------------	--------

## VALVE COVER DECALS . . . . . 17.190

*The only 409 that had original Valve cover decals were the 62 380HP and 409HP. The 63-65 engines did not have decals, but can be used to dress up your 409*

HM204	62-64 340 HP water slide decal . . . . . Ea	\$3.99
HM206	61 360 HP water slide decal . . . . . Ea	\$3.99
HM209	62-64 380 HP water slide decal . . . . . Ea	\$3.99

HM210	62-64 409 HP water slide decal . . . . . Ea	\$3.99
HM211	63-64 425 HP water slide decal . . . . . Ea	\$3.99

## CRACK & PEEL STICKERS

SC7027	58 up 348 Turbo Thrust sticker . . . . . Ea	\$3.99
DC205	348 350 HP sticker . . . . . Ea	\$3.99
DC206	360 hp valve cover sticker . . . . . Ea	\$3.99
DC146	62 380 hp valve cover sticker . . . . . Ea	\$3.99
DC224	348/409 340 HP sticker . . . . . Ea	\$3.99
DC228	348 250 HP sticker . . . . . Ea	\$3.99
DC408	348 280 HP sticker . . . . . Ea	\$3.99
DC410	348 305 HP sticker . . . . . Ea	\$3.99
DC411	348 315 HP sticker . . . . . Ea	\$3.99
DC412	348 320 HP sticker . . . . . Ea	\$3.99
DC413	348 335 HP sticker . . . . . Ea	\$3.99
DC569	High torque 348 truck sticker . . . . . Ea	\$8.00
DC570	High torque 409 truck sticker . . . . . Ea	\$8.50
DC125	62- 65 Turbo-Fire 409 sticker . . . . . Ea	\$3.99
DC823	63-65 400 HP sticker . . . . . Ea.	\$3.99
DC147	62 409 HP sticker . . . . . Ea.	\$3.99
DC148	63-65 425 HP sticker . . . . . Ea.	\$2.00

*Note: stickers work best on chrome valve covers*

5351	62-65 embossed 327 Turbo-fire plate . . . . . Pair	\$17.00
------	--	---------

## VALVE COVER STICKER KITS . . . . 17.190

*Sticker kits come with 4 stickers*

7909	348 250 HP sticker kit . . . . . Ea	\$15.99
7910	348 280 HP sticker kit . . . . . Ea	\$15.99
7911	348 305 HP sticker kit . . . . . Ea	\$15.99
7912	348 315 HP sticker kit . . . . . Ea	\$15.99
7913	348 320 HP sticker kit . . . . . Ea	\$15.99
7914	348 335 HP sticker kit . . . . . Ea	\$15.99
7915	348 340 HP sticker kit . . . . . Ea	\$15.99
7916	348 350 HP sticker kit . . . . . Ea	\$15.99



## Show Cars Part #7917

7917	409 340 HP sticker kit . . . . . Ea	\$15.99
7918	409 360 HP sticker kit . . . . . Ea	\$15.99
7919	409 380 HP sticker kit . . . . . Ea	\$15.99
7920	409 400 HP sticker kit . . . . . Ea	\$15.99
7921	409 409 HP sticker kit . . . . . Ea	\$15.99
7922	409 425 HP sticker kit . . . . . Ea	\$15.99

**All prices subject to change without notice. Any installed part is not returnable**

# Page 120 Show-Cars.com 1-24 Catalog

## GENERATOR DECALS ..... 17.240

HM290 Generator terminal tag all models. .... Ea \$3.99

## OIL FILL CAP DECALS ..... 17.290

HM270 58 Black and orange crank breather. .... Ea \$3.99

DC29 59-63 black and gold crank breather. .... Ea \$8.50

HM268 64 white and blue crank breather. .... Ea \$3.99

## TIRE INFLATION DECALS..... 17.310

DG31 58-60 Tire inflation decal. .... Ea \$3.99

## AIR CONDITIONING DECALS..... 17.330

DG32 58-61 Air conditioned decal. .... Ea \$4.00

DC71 58-60 Air conditioning coolant tag for evaporator box  
..... Ea \$10.50

DC49 58-64 Air conditioning compressor decal. .... Ea \$3.99

HM284 62-64 Blue & white air conditioning. .... Ea \$8.00

SC5483 59-64 Air Conditioning transfer caution under pressure (Red)  
..... Ea \$17.85

## FACTORY & DEALER DECALS ... 17.350

SC3889 58-64 Door Alignment Inspection Sticker. .... Ea \$5.45

DG48 62-64 Owner's service certificate. .... Ea \$3.99

HM808 62-64 Factory window sticker. .... Ea \$8.00

DC542 64 Cruise control instruction tag. .... Ea \$9.00

DC544 62-66 Cruise control instruction sticker attaches to rear  
..... Ea \$3.99

## COOLING DECALS & TAGS ..... 17.390

DG44 58-64 Radiator coolant tag. .... Ea \$8.50

HM275 Radiator coolant decal. .... Ea \$3.99

HM276 Winterized Decal. .... Ea \$3.99

## OIL CANNISTER DECAL..... 17.440

HM286 58-64 Oil cannister sticker. .... Ea \$3.99

DG27 58-62 6 Cylinder oil cannister. .... Ea \$3.99

## PAINT DECAL..... 17.490

DG51 62-64 Lacquer paint cleaning & care instructions  
..... Ea \$3.99

## BATTERY DECAL..... 17.540

DG53 62-64 Delco battery guarantee. .... Ea \$3.99

## SERVICE DECALS..... 17.590

DG57 58-64 Antenna adjustment tag (bottom of radio)  
..... Ea \$3.99

DG56 58-64 Aluminum service decal. .... Ea \$3.99

DG54 62-64 Breaking-in instructions. .... Ea \$3.99

DG55 62-64 New car inspection & adjustment sheet. Each \$3.99

## SEAT BELT DECALS..... 17.630

DG68 58-64 Seat belt instructions decal. .... Ea \$3.99

7327 Metal Seat belt decal. .... Pr \$13.00

## TRANSMISSION OPERATION INSTRUC-

## TION DECAL..... 17.66

LG2178 58-59 Transmission operation instruction decal Ea. \$8.00

## WASHER JAR LABEL ..... 17.690

*Must use spray adhesive to apply)*

HMN298 61-63 Klear-View label. .... Ea \$4.13

HMN299 64-69 Washer jar label. .... Ea \$4.13

HM299 70-Up Optikleen washer jar label. .... Ea \$4.13

## MISCELLANEOUS DECALS ..... 17.700

HM290 ..... 55-62 Gen terminal tag all models  
Ea. .... \$3.99

HM940 Paint warning decal 58-up. .... Ea \$3.99

HM289 Warning always connect pos to pos. .... Eac \$3.99

HM822 Acrylic lacquer paint notice card. .... Ea \$3.99

HM823 Care and use of seatbelts. .... Ea \$3.99

SC5278 Water test transfer, white (Where applicable). . Ea \$17.85

## TACH FACES ..... 17.720

SC3018 61 7000 No red line tach face sticker. .... Ea \$18.10

3018 61 7000 No red line metal tach face. .... Ea \$36.19

SC5277 61-62 EB9A Tach transmitter adjustment transfer  
..... Ea \$17.85

4787 61-62 Sun EB-9A tachometer transmitter sticker  
..... Ea \$9.68

SC3021 62 7000 5200 Red line tach face sticker. .... Ea \$18.10

3021 62 7000 5200 Red line metal tach face. .... Ea \$32.90

SC3019 62 7000 6200 Red line tach face sticker. .... Ea \$18.10

3019 62 7000 6200 Red line metal tach face. .... Ea \$36.19

SC3022 63-64 6000 5200 Red line ltach face sticker. . . Ea \$18.10

SC3020 63-64 7000 6200 Red line tach face sticker. . . Ea \$18.10

5644 63-64 Tachometer lens clear. .... Ea \$36.20

## OIL CANISTER..... 17.800

SC5274 56-57 Oil canister transfer, white PF-134. .... Ea \$17.85

Go to Show-Cars.com for updates and many more pictures



# Moldings Emblems, & Lights . . . . . 18

## GLASS MOLDINGS . . . . . 18.000

6449	62-64 Rear glass reveal moldings, Impalla & SS	Set	\$170.00
9043	63-64 Windshield moldings, Impala 5pcs. . . . .	Set	\$179.00

## GRILL EMBLEMS . . . . . 18.050

3686	60 6 Cyl. Grill Emblem. . . . .	Ea	\$132.00
3687	60 283 V8 Grill emblem . . . . .	Ea	\$131.95
3688	60 348 V8 Grill emblem . . . . .	Ea	\$124.95
3696	61 6 cylinder Grill emblem . . . . .	Ea	\$120.95
3697	61 283 V8 Grill emblem . . . . .	Ea	\$131.95
3427	61 V8 Grill emblem . . . . .	Ea	\$134.95
3731	64 Grill emblem "Chevrolet" . . . . .	Ea	\$66.95
7904	64 Grill emblem "Chevrolet", imported . . . . .	Ea	\$35.00

## LOWER STEERING COLUMN TRIM

## PLATE . . . . . 18.060

2105	61-62 Trim plate lower for standard . . . . .	Ea	\$68.95
2105A	61-62 Trim plate lower for automatic . . . . .	Ea	\$68.95
2106	63-64 Trim plate lower for standard . . . . .	Ea	\$68.95
2106A	63-64 Trim plate lower for automatic . . . . .	Ea	\$68.95

## FENDER EMBLEMS . . . . . 18.090

5378	58 Front Fender Louvers. . . . .	Set	\$55.00
5381	58 Front Fender Ornaments . . . . .	Pr	\$93.00
6340	59 El Camino front fender script . . . . .	Pr	\$151.95
6791	59 Fender ornaments. . . . .	Pr	\$91.00
4742	60 Impala front fender trim (8 pieces) . . . . .	Set	\$275.95
6792	60 Fender ornaments. . . . .	Pr	\$91.00
4228	60 El Camino fender script . . . . .	Pr	\$100.00
6793	61 Fender ornaments. . . . .	Pr	\$91.00
3715	62 283 Front fender V. . . . .	Pr	\$74.95
5248	62 Front fender ornaments . . . . .	Pr	\$91.00

3000	62-63 409 Fender emblems - chrome . . . . .	Pr	\$42.95
------	---	----	---------



## Show Cars Part #3436

3436	62-63 409-327 Cross flags - chrome - Made in USA	Pr	\$88.50
6513	62-63 409 327 Cross flags - chrome Import . . .	Pr	\$29.95
4743	63 Impala front fender trim (4 pieces) . . . . .	Set	\$89.95
3743	64 Impala front fender V. . . . .	Pr	\$55.95
3001	64 409 Emblems . . . . .	Pr	\$43.85
3076	64 Cross flags 409 327 . . . . .	Pr	\$29.75
3732	65 409 Emblem. . . . .	Pr	\$41.95

## FENDER EMBLEMS TEMPLATES . 18.100

3269	62 409 Fender emblem templates . . . . .	Ea	\$10.00
3269A	63 409 Fender emblem templates . . . . .	Ea	\$10.00
3269B	64 409 Fender emblem template. . . . .	Ea	\$11.00

## QUARTER EMBLEMS . . . . . 18.140

5376	58 Rear quarter flags. . . . .	Pr	\$37.75
5377	58 Rear quarter script . . . . .	Pr	\$49.95
3677	59 Impala rear quarter letters per side. . . . .	Set	\$66.95
6027	59 Impala rear quarter cross flag emblem. . . . .	Pr	\$157.95
7344	59 Impala rear quarter cross flag emblem, imported	Pr	\$79.00
3690	60 Impala rear quarter emblem cross flag-gold	Pr	\$155.95
7345	60 Impala rear quarter cross flag, imported . . .	Pr	\$85.00
5935	60 Impala rear, quarter script . . . . .	Pr	\$92.95
3429	61 Chrome SS cross flags . . . . .	Pr	\$344.95
3700	61 Impala rear quarter script (USA). . . . .	Pr	\$75.95
7869	61 Impala quarter flags . . . . .	Pr	\$37.75



## Show Cars Part #3431

3431	62 Chrome SS, quarter emblems . . . . .	Pr	\$64.95
3716	62 Impala rear, quarter emblems. . . . .	Pr	\$54.95

All prices subject to change without notice. Any installed part is not returnable

# Page 122 Show-Cars.com 1-24 Catalog



## Show Cars Part #3717

3717	62 Bel air rear, script. . . . . Pr	\$124.95
3435	62 Chrome quarter Impala script . . . . . Pr	\$55.95
3002	63 Chrome SS, quarter emblems . . . . . Pr	\$69.50
3722	63 Impala rear, quarter emblems. . . . . Pr	\$55.95
3723	63 Impala rear quarter letters, made in USA..Per side . . . . . Set	\$45.95
3470	64 Chrome SS, quarter emblems . . . . . Pr	\$65.95
3733	64 Impala rear, quarter emblems. . . . . Pr	\$55.95
3734	64 Impala rear quarter letters, 1 side. . . . . Set	\$49.95
7334	64 Impala rear quarter letters, imported 1 side . . . . . . Set	\$25.20

## DECK LID EMBLEMS. . . . . 18.190

3666	58 6 cylinder trunk emblem . . . . . Ea	\$47.95
3670	58 6 cylinder trunk & passenger assembly . . . Ea	\$144.95
5380	58 Trunk script . . . . . Ea	\$21.95
3678	59 Trunk emblem . . . . . Ea	\$78.95
3075	60 Chrome 348 V-8 trunk emblem also fits 60 El Camino tailgate with 348 engine . . . . . Ea	\$63.95
3685	60 6 Cylinder trunk emblem assembly . . . . . Ea	\$75.95
3691	60 283 V8 Trunk emblem . . . . . Ea	\$65.95
3692	60 283 V8 Trunk emblem assembly . . . . . Ea	\$114.95
3693A	60 Trunk Vee. . . . . Ea	\$124.95
3702	61 6 Cylinder & 283 V8 trunk emblem. . . . . Ea	\$34.95
3703	61 6 Cylinder trunk assembly . . . . . Ea	\$75.55
3704	61 283 V8 Trunk assembly . . . . . Ea	\$95.95
3705	61 348 Trunk emblem. . . . . Ea	\$129.95
3430	61 SS Deck lid emblem. . . . . Ea.	\$351.95
3432	62 Impala SS. . . . . Ea	\$59.95
7220	62 Impala SS (Imported). . . . . Ea	\$34.00
3434	62 Trunk emblem insert . . . . . Ea	\$55.95
6836	62 Trunk emblem insert imported. . . . . Ea	\$39.99
4738	62 Emblem assembly . . . . . Ea	\$139.95
6833	62 Emblem assembly imported. . . . . Ea	\$75.00
8199	62 Trunk script "Chevrolet" (Bel Air/Biscayne) . . . . . Ea	\$75.00
3438	63 Trunk Emblem insert . . . . . Ea	\$54.95

6837	63 Trunk emblem insert imported. . . . . Ea	\$32.00
4740	63 Emblem assembly . . . . . Ea	\$129.50
6834	63 Emblem assembly imported. . . . . Ea	\$75.00
3439	64 Chrome SS. . . . . Ea	\$57.95
3440	64 Trunk Emblem insert . . . . . Ea	\$58.95
6838	64 Trunk emblem insert imported. . . . . Ea	\$32.00
4741	64 Trunk emblem assembly . . . . . Ea	\$147.95
6835	64 Trunk Emblem assembly imported . . . . . Ea	\$120.00

## HOOD EMBLEMS. . . . . 18.240

3669	58 6 Cylinder insert. . . . . Ea	\$57.95
3672	58 6 Cylinder hood emblem assembly . . . . . Ea	\$165.95
3668	58 V8 Hood emblem assembly insert and bezel . . . . . Ea	\$75.95
3667	58 V8 Insert. . . . . Ea	\$37.95
3676	59 348 Hood emblem cross flags chrome. . . . . Ea	\$144.95
3695	60-61 Chevy hood letters . . . . . Set	\$77.95
8221	60-61 Chevy hood letters, import . . . . . Set	\$40.00
3433	62 Hood emblem insert. . . . . Ea	\$64.95
6831	62 Hood emblem insert(Import) . . . . . Ea	\$39.99
4734	62 Hood emblem assembly(USA) . . . . . Ea	\$132.00
6829	62 Hood emblem assembly (import). . . . . Ea	\$89.00
4736	63 Hood emblem assembly. . . . . Ea	\$139.95
6830	63 Hood emblem assembly (import). . . . . Ea	\$87.00
3437	63 Hood emblem insert. . . . . Ea	\$54.95
6832	63 Hood emblem insert (import). . . . . Ea	\$32.00
3441	64 Hood emblem plastic insert(USA). . . . . Ea	\$52.95
8272	65 Hood emblem insert (import). . . . . Ea	\$34.95

## HOOD LIP MOLDINGS. . . . . 18.250

6028	60 Hood Lip molding . . . . . Ea	\$180.00
6776	62 Hood lip molding,driver quality, may have scratches scuff marks small dents and other imperfections, no returns or refunds . . . . . Ea	\$249.00
6024	63 Hood Lip molding,driver quality, may have scratches scuff marks small dents and other imperfections, no returns or refunds . . . . . Ea	\$249.00
6025	64 Hood Lip molding,driver quality, may have scratches scuff marks small dents and other imperfections, no returns or refunds . . . . . Ea	\$335.00
6026	64 Hood Wind Split molding . . . . . Ea	\$70.00
7221	62 Chrome quarter Impala script (imported) . . Pr	\$37.00
3002	63 Chrome SS, quarter emblems . . . . . Pr	\$52.95
3722	63 Impala rear, quarter emblems. . . . . Pr	\$42.95
3723	63 Impala rear quarter letters per side. . . . . Set	\$37.95

## ROCKER MOLDINGS. . . . . 18.290

3442	58 Rocker moldings, stainless. . . . . Set	\$440.00
3451	62 Rocker moldings, Impala. . . . . Set	\$226.95
5232	62 Rocker molding clips, Impala . . . . . Set	\$22.00
7468	62-64 Rocker moldings Biscayne, Bel Air . . . Pr	\$115.00
8737	62-64 Rocker molding clips, Biscayne, Bel Air	

Go to Show-Cars.com for updates and many more pictures

..... Set \$5.95

## FENDER MOLDINGS ..... 18.330

6450	61 Impala front fender molding	Ea	\$72.00
5009	63 Fender moldings, Impala (imported)	Pr	\$70.00
5009P	63 Fender molding Impala passenger side	Ea	\$55.00
5009D	63 Fender molding Impala driver side	Ea	\$55.00
8276	63 Front fender molding attaching bracket	Pr	\$29.00
6451	64 Impala lower front fender molding	Pr	\$39.95
6452	64 Impala upper front fender molding	Pr	\$99.95
6453	64 SS front fender molding (imported)	Ea	\$56.00

## DOOR MOLDINGS ..... 18.340

3444	61 Upper passenger Impala 2 door & convertible	Ea	\$25.00
5359	61 Impala door molding, front section	Pr	\$135.00
8622	61 Complete door molding set (Fork Upper and Lower)	Pr	\$115.00
4763	63 Super Sport door moldings	Pr	\$199.00
4763P	63 SS Door molding passenger side	Ea	\$99.00
4764	63 Door molding clips (one side)	Ea	\$27.00
7385	63-64 Vent window door belt moldings	Pr	\$79.95

## SS MOLDING INSERTS ..... 18.350

5801	62 Front fender SS molding insert	Pr	\$63.00
7622	62 SS Door molding insert	Pr	\$78.00
7623	62 SS Quarter molding insert	Pr	\$94.00
5804	62 SS Quarter molding insert driver	Ea	\$56.00
5805	62 SS Quarter molding insert pass	Ea	\$56.00
5012	62 SS molding inserts (6 pieces)	Set	\$245.00

*Note on 62 molding inserts, these are driver quality and not returnable.*

*63 and 64 Molding inserts are nice.*

5011D	63 Fender molding insert, SS driver	Ea	\$13.50
5011P	63 Fender molding insert, SS passenger	Ea	\$13.50
5010	63 Quarter panel inserts	Pr	\$130.00
5010D	63 Quarter molding insert SS driver	Ea	\$73.00
5010P	63 quarter molding insert SS passenger	Ea	\$73.00
5816	63 Fender Insert SS	Pr	\$28.00
6454	63 SS molding inserts (6 pieces)	Set	\$239.00
5013	64 SS molding inserts (8 pieces)	Set	\$248.99

## MOLDING CLIP SETS ..... 18.360

8230	58 Exterior union clip, connects 2 long quarter moldings to spear	Ea	\$19.00
8274	59 Quarter molding clip set (import)	Ea	\$28.50
7291	59-60 Lower windshield molding clips (26 pcs)	Set	\$29.95
7292	59-60 Upper windshield molding clips (6 Pcs)	Set	\$11.95
8496	59-60 Impala rocker molding clip set	Set	\$18.50
7293	60 Fin molding clips (30 Pc)	Set	\$48.95
8275	60 Quarter molding clip set (import)	Ea	\$13.92
6372	61 Side molding clips	Set	\$43.95



## Show Cars Part #6746

6746	62 Side molding clips (Impala only)	Set	\$62.95
6354	62-64 Belt line molding clips	Set	\$22.50
8235	62 Rear deck panel clip package, 8 clips, 8 screws	Set	\$21.00
8236	62 Upper deck lid molding clips	Set	\$9.00
6373	61-62 lower windshield molding clips	Set	\$14.95
6374	63-64 lower windshield molding clips	Set	\$14.95
8276	63 Fender molding attaching brackets	Pr	\$32.00
8259	63-64 Impala full size complete windshield molding clips	Set	\$34.99
8260	63-64 Impala full size complete rear glass molding clips	Set	\$37.50
8497	64 Eye brow molding clip	Ea	\$1.50
8667	64 SS Side molding clip set	Set	\$54.00
8668	64 Impala 4 door side molding clip set	Set	\$59.95
8669	64 Impala 2 door side molding clip set	Set	\$56.95

## QUARTER MOLDINGS ..... 18.390

8231	58 Rear quarter louvers, 8 pc set, driver quality, may have scratches scuff marks small dents and other imperfections, no returns or refunds	Set	\$80.00
8232	58 Rear S molding passenger, stainless steel	Ea	\$144.00
8233	58 Rear S molding driver, stainless steel	Ea	\$144.00
3447	61 Rear passenger upper 2 door & convertible Impala	Ea	\$40.00
3448	61 Rear driver upper 2 door & convertible Impala	Ea	\$40.00
3449	61 Rear passenger lower 2 door & convertible Impala	Ea	\$55.00
3450	61 Rear driver lower 2 dr. & conv. Impala	Ea	\$55.00
6455	61 Quarter Y moulding	Pr	\$54.95
2014	63 Impala and SS quarter molding trim nuts (10 pieces)	Set	\$8.00
4857	63 Quarter molding clip set	Set	\$69.95
3462	64 rear upper Impala 2 dr & conv.	Ea	39.95
3463	64 Quarter panel horseshoe moldings	Ea	\$59.95

**All prices subject to change without notice. Any installed part is not returnable**

# Page 124 Show-Cars.com 1-24 Catalog

6456	64 Quarter panel molding lower driver. . . . .	Ea	\$99.95
6457	64 Quarter panel molding lower passenger . . .	Ea	\$99.95
8124	64 Impala rear quarter panel extension molding passenger with clips. . . . .	Ea	\$40.00
8125	64 Impala rear quarter panel extension molding driver with clips . . . . .	Ea	\$40.00

## MOLDING INSERTS . . . . . 18.435

8422	58 Aluminum side molding inserts 6 pcs (Nice) . . . . .	Set	\$299.00
------	---	-----	----------

## DECK LID MOLDINGS . . . . . 18.440

8495	60 Impala deck lid molding . . . . .	Ea	\$56.50
9221	60 Impala tail lamp bezels, includes clips . . . . .	Set	\$499.00
3746	61 Quarter panel wrap around molding . . . . .	Pr.	\$62.00
3747	61 Trunk moldings . . . . .	Pr.	\$79.95
5499A	62 Rear panel trim bar, 7 pcs. . . . .	Set	\$419.95
3452	62 upper trunk molding. . . . .	Ea.	\$53.95
7603	62 SS deck panel and cove inserts with trim bar installed . . . . .	Set	\$875.00
7602	62 Impala deck panel and cove inserts with trim bar installed . . . . .	Set	\$765.00
6264	63 SS deck panel and cove insert set . . . . .	Set	\$650.00
6265	63 Impala deck panel and cove insert set . . . . .	Set	\$670.00
3453	63 Lower deck molding . . . . .	Ea.	\$53.95
8123	64 Impala rear deck lid molding w/clips. . . . .	Set	\$119.00
3459	64 upper SS & BelAir deck lid moldings . . . . .	Ea.	\$64.95
3460	64 lower SS, BelAir & Biscayne . . . . .	Ea.	\$49.95
6367	64 trunk wind split molding . . . . .	Ea	\$59.00
6447	64 SS trunk and cove panel inserts . . . . .	Set	\$339.00
4759	64 Impala rear molding (3 pieces) . . . . .	Set	\$199.00

## GRILL . . . . . 18.490

7101	59 Grill screens, aluminum. . . . .	Pr	\$128.00
8469	60 Impala upper & lower eye brow moldings with clips . . . . .	Set	\$155.00
8470	60 Bel Air upper & lower eye brow moldings with clips . . . . .	Set	\$175.00
9047	61 Upper grill molding . . . . .	Pr	\$89.00
9052	61 Upper grill . . . . .	Ea	\$239.00
9053	61 Grill, no emblem . . . . .	ea	\$449.00
6813	62 grill . . . . .	Ea	\$299.00
5526	62 Grill ornaments, early (LARGE) . . . . .	Set	\$26.40
7267	62 Short Grill ornaments, late (small). . . . .	Ea	\$25.99
7266	62 Grill top molding . . . . .	Ea	\$56.99



## Show Cars Part #6814

6814	62 Grill kit, includes grill, top molding & ornaments . . . . .	Kit	\$355.00
3454	63 Upper eyebrow molding, driver . . . . .	Ea	\$49.95
3455A	63 Lower eyebrow molding . . . . .	Pr	\$39.95
3455	63 Upper eyebrow molding, passenger . . . . .	Ea	\$49.95
8273	63 Complete grill with brackets and headlamp housings. . . . .	Ea	\$494.00
3456	64 lower grill molding . . . . .	Ea	\$65.00
4838	64 Grill moldings (outer) pairs only . . . . .	Pr	\$99.00
6307	64 Grill . . . . .	Ea	\$299.00
6815	64 grill assembly (Includes grill with brackets and headlight housings). . . . .	Kit	\$397.95

## MOLDING SETS . . . . . 18.500

7086	62 Impala side moldings (6pc) driver quality, may have scratches scuff marks small dents and other imperfections, no returns or refunds . . . . .	Set	\$425.00
7118	62 Impala SS side moldings (6pc) ,driver quality, may have scratches scuff marks small dents and other imperfections, no returns or refunds . . . . .	Set	\$425.00
9039	63 Impala side molding set (6pc) with after market clips, nice driver quality. Use with part #6454 to make SS trim. . . . .	Set	\$375.00
5269	64 Impala side moldings. . . . .	Set	\$399.95

## TAIL LAMP COVE QUARTER MOLDING . . . . . 18.540

4758	62 tail lamp moldings (hockey sticks) . . . . .	Pr	\$59.95
6277	62 Impala cove inserts . . . . .	Pr	\$275.00
5601	63 Outer cove molding clips. . . . .	Set	\$18.00
3457	64 Outer SS and Bel Air . . . . .	Pr	\$65.00
3458	64 Inner SS and Bel Air . . . . .	Pr	\$49.95

## SILL PLATES . . . . . 18.590

3466	59-60 2 Door and convertible. . . . .	Pr	\$179.95
8027	59-60 2 Door and convertible, imported. . . . .	Pr	\$99.00

Go to Show-Cars.com for updates and many more pictures

# 507-233-1958 Fax 507-354-1959 1-24 Catalog 125

3467	61-64 2 Door and convertible . . . . . Pr	\$103.95
6777	61-64 2 Door and convertible(Imported) . . . . Pr	\$49.99
5278	61-64 Door sill plates,4 dr,4 pcs set . . . . . Set	\$85.95

## WINDOW HANDLE CRANKS . . . . . 18.650

6653	58-64 Interior window handle 58-60 Bel Air and 58-64 Biscayne . . . . . Ea	\$10.50
6654	58-64 Interior vent window handle, 58-60 Bel Air and 58-64 Window handle, Biscayne. . . . . Ea	\$8.50
5506	61-64 Window handle, Impala . . . . . Ea	\$8.50
5507	61-64 Vent window handle, Impala . . . . . Ea	\$8.50

## WHEEL COVERS AND EMBLEMS. 18.690

3671	58 Spinner emblem . . . . . Ea	\$23.95
5484	58 Wheel spinners (set of 4) . . . . . Set	\$135.00
3679	59-60 Spinner emblem-silver . . . . . Ea	\$52.95
3680	59-60 Spinner emblem-black . . . . . Ea	\$52.95
3681	59-60 Spinner assembly-silver (set of 4) . . . . Set	\$465.00
3682	59-60 Spinner assembly-black (set of 4) . . . . Set	\$465.00
3708	61 Impala SS spinners (set of 4) . . . . . Set	\$419.99
3709	61 Wheel cover emblem . . . . . Ea	\$58.95



## Show Cars Part #7113

7113	61-62 Biscayne, Bel Air dog dish hub caps . . . . Set	\$414.00
3719	62 Impala Super Sport wheel cover spinners with retainer . . . . . Set	\$409.95
3720	62 Wheel cover emblem . . . . . Ea	\$42.95
3725	63 Super Sport wheel cover emblem . . . . . Each	\$67.95
3740	64 Super Sport wheel cover emblem . . . . . Each	\$59.95

## STEERING WHEEL . . . . . 18.740

3673	58-60 horn ring emblem . . . . . Ea	\$54.95
8279	58-59 Impala steering wheel paint divider (4 Pcs) . . . . . Set	\$24.00
8218	61 Horn button . . . . . Pr	\$31.46
8197	61 Chrome steering wheel center . . . . . Ea	\$45.75
8198	61 Horn Emblem (Imported) . . . . . Ea	\$38.50
8219	61 Horn contact harness . . . . . Ea	\$21.50
8258	61-64 Impala steering wheel paint dividers . . . , need 4 . . . . . Ea	\$9.50
8226	62 Steering wheel, Impala & SS, Black . . . . . Ea	\$239.99
8203	62 Steering wheel, Impala & SS, Red. . . . . Ea	\$239.99

8204	62 Steering wheel, Impala & SS, Blue . . . . . Ea	\$239.99
6948	62 Impala horn ring, poor reproduction, no returns . . . . . Ea	\$69.99
6951	62-63 Horn ring bracket . . . . . Ea	\$35.00
6443	62-63 Impala horn ring emblem also 62 SS . . . Ea	\$33.95
6953	63 SS Steering wheel kit . . . . . Ea	\$179.00
8227	63 Steering wheel, Impala & SS, Black . . . . . Ea	\$226.00
8205	63 Steering wheel, Impala & SS, Red. . . . . Ea	\$279.99
8206	63 Steering wheel, Impala & SS, Blue . . . . . Ea	\$279.99
6444	63 Impala SS horn ring emblem . . . . . Ea	\$39.50
5779	63 Horn ring without emblem (Poor reproduction, no returns) . . . . . Ea	\$69.99
8228	64 Steering wheel, Impala & SS, Black . . . . . Ea	\$249.99
8207	64 Steering wheel, Impala, & SS Red. . . . . Ea	\$249.99
8208	64 Steering wheel, Impala, & SS Blue . . . . . Ea	\$249.99
6957	64 Horn ring . . . . . Ea	\$69.99
6445	64 Impala horn ring emblem. . . . . Ea	\$30.95
6446	64 Horn cap assembly with wood wheel . . . . . Ea	\$88.95
5810	64 Horn cap assembly. . . . . Ea	\$49.00

## LOCK KITS . . . . . 18.760

Lock kits include, door, ignition, glove and trunk.  
(Note: 2 door cars used the long cylinder, 4 door cars used the short cylinder)

7184	58 Lock kit w/short cylinder . . . . . Kit	\$88.92
7837	58 Lock kit w/long cylinder . . . . . Kit	\$87.35
7838	59 Lock kit w/long cylinder . . . . . Kit	\$100.14
7839	60 Lock kit w/long cylinder . . . . . Kit	\$88.44
7840	61-62 Lock kit w/long cylinder. . . . . Kit	\$73.44
7185	61-62 lock kit w/short cylinder & pawl . . . . . Kit	\$87.35
7186	63 Lock kit w/short cylinder & pawl . . . . . Kit	\$91.95
7841	63 Lock kit w'long cylinder . . . . . Kit	\$83.38
7187	64 Lock kit w/short cylinder & pawl . . . . . Kit	\$83.38
7842	64 Lock kit w/long cylinder . . . . . Kit	\$83.38

## LOCKS . . . . . 18.760

7843	58-64 Ignition lock w/octagon key . . . . . Ea	\$20.08
8142	58 Trunk lock w/keys . . . . . Ea	\$23.62
8743	59-64 Door lock rod . . . . . Set	\$6.50
8284	59-60 Door lock w/long cyl (2.5) W/keys . . . . Pr	\$50.55
8143	59 Trunk lock w/keys . . . . . Ea	\$45.95
8144	60-64 Trunk lock w/keys . . . . . Ea	\$21.92
8145	58-64 Trunk lock shaft . . . . . Ea	\$5.00
8281	58-62 Full size Chevrolet passenger car glove box lock retainer . . . . . Ea	\$3.50
8282	61-62 Full size Chevrolet passenger car glove box lock with keys . . . . . Set	\$29.00
8742	61-64 Door lock pawl, 2 door . . . . . Ea	\$4.50

## LICENSE LIGHT . . . . . 18.800

9207	59 License plate lens El Camino, Station Wagon, Sedan Delivery with correct GM markings . . . . . Ea	\$28.95
5652	60 License light assembly. . . . . Ea	\$171.95
5653	60 License light lens . . . . . Ea	\$27.95
9208	60 License light lens, El Camino, Sstation Wagon, Sedan	

**All prices subject to change without notice. Any installed part is not returnable**

# Page 126 Show-Cars.com 1-24 Catalog

	Delivery, with correct GM markings, requires 2		7612	60-61 LED tail light set (6 pcs) . . . . . Set	\$189.99
	..... Ea	\$19.95	7353	60 Tail light bezel to body seals . . . . . Set	\$7.50
3710	61-64 License light lens . . . . . Ea	\$23.95	8150	60 Inner tail light housing to body seals . . . . . Set	\$24.95
5920	62-64 License light assembly . . . . . Ea.	\$39.95			
8340	License light wire grommet, 5/8" hose . . . . . Ea	\$3.00			

## CONSOLE . . . . . 18.820

5468	61 Console shift plate with plate,insert,flag,boot,and mounting bracket . . . . . Set	\$339.00
3711	61-62 Impala super sport console & rear speaker emblem . . . . . Ea	\$54.95
5469	62 Console shift plate with plate,insert,flag,boot,and mounting bracket . . . . . Kit	\$336.50
5471	62 Console insert . . . . . Ea	\$84.00
5292	63 SS console insert automatic or 4 speed . . . . . Ea	\$49.95
3727	63 Impala SS console emblem . . . . . Ea	\$64.50
5014	64 SS Console insert with 4 speed . . . . . Ea	\$59.95
5015	64 SS Console insert with automatic (4 pieces) Set . . . . . Set	\$79.95
3741	64 Impala SS console emblem . . . . . Ea	\$49.95

## LIGHT LENSES, GASKETS, AND SEALS . . . . . 18.830

3674	58 Tail light lens . . . . . Ea	\$15.95
7626	58 Tail light lens (imported) . . . . . Ea	\$7.99
3675	58 Back up light lens . . . . . Ea	\$13.95
3748	58 Tail lamp assembly Impala (set of six) . . . . . Set	\$349.00
5793	58 Tail light lens gasket . . . . . Set	\$9.45
6437	58 Parking light lens clear . . . . . Ea	\$8.95
6438	58 Parking light lens amber . . . . . Ea	\$8.95
5786	58 Parking light lens gasket . . . . . Set	\$6.00
8557	58 Del Ray tail light to body seals . . . . . Set	\$12.00
6904	58 Tail light bezel to body seals . . . . . Set	\$12.00
6430	59 Tail light lens driver side . . . . . Ea	\$15.00
6431	59 Tail light lens passenger side . . . . . Ea	\$15.00
9205	59 El Camino, Station Wagon, Sedan Delivery tail light lens with correct GM Markings . . . . . Set	\$231.95
5787	59 Parking light lens gasket . . . . . Set	\$6.87
6439	59 Parking light lens . . . . . Pr	\$41.95
7346	59 Parking light lens, imported . . . . . Pr	\$23.00
8135	59 Parking light housing seals . . . . . Pr	\$45.00
8152	59 Tail light housing to body seals . . . . . Pr	\$14.65
5794	59 Tail light lens gasket . . . . . Set	\$9.68
6440	60 Parking light lens, clear USA . . . . . Pr	\$42.95
5795	60 Tail lens gasket . . . . . Set	\$8.50
5788	60 Parking light lens gasket . . . . . Set	\$6.00
5775	60 Backup light lens . . . . . Ea	\$11.95
5773	60-61 Tail light lens . . . . . Ea	\$11.95
7617	60 Tail light base housing . . . . . Ea	\$24.95
7616	60 Back up light base housing . . . . . Ea	\$24.95
7604	60-61 LED tail light light . . . . . Ea	\$25.99
7605	60-61 LED back up light . . . . . Ea	\$45.99

6441	61 Parking light lens . . . . . Pr	\$34.95
5774	61 Backup light lens . . . . . Ea	\$14.95
5789	61 Parking light lens gasket . . . . . Set	\$6.00
7297	61 Inner tail lamp housing seal, Impala, Bel Air . . . . . Set	\$13.95
5796	61 Tail light lens gasket . . . . . Set	\$8.50
7618	61 Tail light base housing . . . . . Ea	\$34.95
3926B	61 Tail light housing to body seals . . . . . Set	\$9.60
3718	62 Parking light lens (USA) . . . . . Pr	\$37.95
8211	62 Tail light lens, imported . . . . . EA	\$7.50
5790	62 Parking light lens gasket . . . . . Set	\$6.50
4839	62 Tail light lens USA . . . . . Ea	\$11.95
4840	62 Back-up light lens with guide script . . . . . Ea	\$13.95
5797	62 Tail light lens gasket . . . . . Set	\$8.50
6411	62 Impala tail light . . . . . Kit	\$224.00
7606	62 LED Tail light . . . . . Ea	\$25.99
7607	62 LED Back up light . . . . . Ea	\$45.99
7613	62 LED Tail light set (6 pcs) . . . . . Set	\$189.99
8151	62 Inner tail light housing to body seals . . . . . Set	\$23.65
3926	62-63 Tail light bezel to body seal (6 in set) . . . . . Set	\$17.00



## Show Cars Part #6412

6412	63 Impala tail light . . . . . Kit	\$289.00
7608	63 LED tail light . . . . . Ea	\$25.99
7609	63 LED back up light . . . . . Ea	\$45.99
7614	63 LED tail light set (5 pcs) . . . . . Set	\$189.99
7296	63 Inner tail lamp housing seal, Impala, Bel Air . . . . . Set	\$11.95
5366	63 Parking light lens . . . . . Pr	\$32.95
5791	63 Parking light lens gasket . . . . . Set	\$6.00
4841	63 Tail light lens with guide script . . . . . Ea	\$11.95
4842	63 Back up light lens with guide script . . . . . Ea	\$17.95
5654	63 Bel Air/ Biscayne tail lamp lens . . . . . Ea	\$17.95
5655	63 Bel Air/ Biscayne back up light lens . . . . . Ea	\$13.50
5798	63 Tail light lens gasket . . . . . Set	\$8.56
5367	64 Parking light lens . . . . . Pr	\$36.95

Go to Show-Cars.com for updates and many more pictures

# 507-233-1958 Fax 507-354-1959 1-24 Catalog 127

5792	64 Parking light lens gasket . . . . .	Set	\$6.00	3711	61-62 Impala SS cross flag . . . . .	Ea	\$39.95
6442	64 Parking light lens assembly . . . . .	Pr	\$99.95	7018	62 Dash Emblem . . . . .	Ea	\$49.30
8154	64 Parking light housing gasket . . . . .	Pr	\$13.95	8266	64 Impala SS glove box emblem (Import) . . . . .	Ea	\$52.95
4843	64 Tail light lens with guide script . . . . .	Ea	\$12.95				
4844	64 Back-up light lens with guide script . . . . .	Ea	\$16.99				
5799	64 Tail light lens gasket . . . . .	Set	\$8.50				
8153	64 Inner tail light housing to body seals . . . . .	Set	\$10.50				
6413	64 Impala tail light . . . . .	Kit	\$263.95				
7610	64 LED tail light . . . . .	Ea	\$25.99				
7611	64 LED back up light . . . . .	Ea	\$45.99				
7615	64 LED tail light set (6 pcs) . . . . .	Set	\$189.99				

## REAR LAMP LENS TRIM . . . . . 18.860

6428	59 Tail light bezels . . . . .	Pr	\$185.00
6429	59 Tail light vertical trim . . . . .	Set	\$49.95
8215	61 Tail lamp lens trim . . . . .	Ea	\$5.60
4845	62 Impala chrome rear lamp lens trim . . . . .	Ea	\$29.50
8210	62 Impala chrome rear lamp lens trim, imported. . . . . .	EA	\$10.00
6432	62 Tail light housing driver side, less lens . . . . .	Ea	\$24.95
6433	62 Tail light housing passenger side, less lens . . . . .	Ea	\$24.95
3724	63 Impala rear lamp lens trim . . . . .	Ea	\$19.85
6434	63 Tail light housing driver side, less lens . . . . .	Ea	\$44.95
6435	63 Tail light housing passenger side, less lens . . . . .	Ea	\$44.95
6436	64 Tail light housing, less lens . . . . .	Ea	\$29.00
3737	64 Impala rear lamp lens trim . . . . .	Ea	\$19.85

## SHIFT PLATE EMBLEM . . . . . 18.890

3728	63 Impala SS 4 speed . . . . .	Ea	\$39.99
------	--------------------------------	----	---------

## REAR PANEL LETTERS . . . . . 18.920

3739	64 Rear panel letters . . . . .	Set	\$85.95
------	---------------------------------	-----	---------

## DOOR PANEL EMBLEM . . . . . 18.950

4757	62, 64 Impala & Super Sport door panel reflector assembly . . . . .	Ea.	\$47.95
3742	64 Impala SS door panel emblem . . . . .	Pr.	\$79.95

## HEADLAMP BEZELS . . . . . 18.970

3749	58 Headlamp bezels . . . . .	Pr	\$107.25
3750	59 Headlamp bezels . . . . .	Pr	\$123.50
6887	61 Headlamp bezels . . . . .	Pr	\$130.00
6946	62 Headlamp bezels . . . . .	Pr	\$195.00
6180	63 Headlamp bezels . . . . .	Set	\$119.99
3751	64 Headlamp bezels . . . . .	Ea	\$12.95

## PARKING LIGHT BEZELS . . . . . 18.971

7097	59 Parking light bezel . . . . .	Pr	\$83.00
8216	60 Parking light bezel, fits left or right . . . . .	Ea	\$27.17

## GLOVEBOX & DASH EMBLEMS . . 18.990

3884	58 Glove box positraction emblem . . . . .	Ea	\$80.00
8715	58 Impala dash and rear speaker script . . . . .	Pr	\$37.75

**All prices subject to change without notice. Any installed part is not returnable**

## Electrical . . . . . 19

### WIRING UPDATES . . . . . 19.000

8326	59-60 Classic update wiring harness. . . . . Kit	\$879.00
7753	61-64 Classic update wiring harness. . . . . Kit	\$799.00
8313	62-64 GM External regulator to GM 'SI' series internal regulator. (This is an easy plug-in conversion that can be used with 1985 and earlier series alternators. . . . . Ea	\$40.00

### WIRING UPDATES . . . . . 19.005

8789	59-60 Convertible power top kit for classic update series . . . . . Ea	\$56.00
8786	61-62 Convertible power top kit for classic update series . . . . . Ea	\$60.00
8784	63 Convertible power top kit for classic update series . . . . . Ea	\$64.00
8785	64 Convertible power top kit for classic update series. . . . . Ea	\$60.00
8787	64 Impala SS console kit for converting non SS cars. Classic update series . . . . . Ea	\$99.00
8788	Universal 3 position horn relay, classic update series. . . . . Ea	\$12.00

### SWITCHES . . . . . 19.010

7342	58-60 Headlight dimmer switch . . . . . Ea	\$18.00
6507	58-64 Brake light Switch . . . . . Ea	\$12.95
6679	58-63 Headlight switch . . . . . Ea	\$43.00
8393	64-68 Headlight switch. . . . . Ea	\$18.00
8083	61-63 Headlight switch knob . . . . . Ea	\$12.99
8084	64 Headlight switch knob . . . . . Ea	\$12.99
8386	65 Headlight switch knob . . . . . Ea	\$17.00
8108	58 Ignition switch . . . . . Ea	\$115.00
6680	61-64 Dimmer switch . . . . . Ea	\$14.00
8106	58-62 Convertible top switch . . . . . Ea	\$89.00
8107	58-62 Convertible top switch and knob . . . . . Set	\$144.00
8283	58-62 Interior courtesy light switch . . . . . Ea	\$18.00
2086	63-64 Interior courtesy light switch . . . . . Ea.	\$14.50
5949	61-63 Ignition starter Switch . . . . . Ea	\$33.00
5950	64 Ignition switch . . . . . Ea	\$28.00
7051	59-63 2 speed wiper switch with washer . . . . . Ea	\$45.00
7052	59-63 1 speed wiper switch with washer . . . . . Ea	\$45.00
8114	64 2 speed wiper switch with washer . . . . . Ea	\$52.00

### BODY GROUND STRAP . . . . . 19.025

1065	58-65 . . . . . Set	\$18.50
------	---------------------	---------

### WIRE HARNESS STRAPS . . . . . 19.050

6037	58-64 Black harness strap snap on type pack of 10 . . . . . Set	\$10.00
6038	58-64 White harness strap loop type pack of 10	

. . . . . Set \$10.00

### TRUNK HARNESS TAPE . . . . . 19.070

3017	58-64 Trunk harness tape-cloth. . . . . Each	\$13.50
3015	58-64 Wire harness tape . . . . . Each	\$9.24

### ENGINE HARNESSES . . . . .

3475	58 348 With automatic transmission. . . . . Ea	\$101.00
3475A	58 283 With auto transmission . . . . . Ea	\$106.00
3476	58 348 With manual transmission. . . . . Ea	\$106.00
6145	58 348 With HEI and auto transmission . . . . . Ea	\$116.00
6146	58 348 With HEI and manual transmission . . . Ea	\$121.00
6040	58 Jumper harness for 348 starter motor to engine harnesses . . . . . Ea.	\$35.00
3477	59-60 348 w/3x2 Used with Ballast resistor . . . with special hi performance . . . . . Ea	\$101.00
3478	59 348 except special hi performance. . . . . Ea	\$101.00
6147	59 348 With HEI. . . . . Ea	\$116.00
6148	59 348 With HEI except special hi perf. . . . . Ea	\$116.00
3479	60 V8 Except 348 . . . . . Ea	\$101.00
3479A	60 348 except special hi performance. . . . . Ea	\$101.00
6149	60 348 With HEI except special hi performance. . . . . Ea	\$116.00
7262	61 Small block engine harness use with HEI . . Ea	\$107.00
3480	61 348 Except special hi performance. . . . . Ea	\$106.00
3481	61 348/409 With special high performance . . . Ea	\$106.00
3481A	61 283 Engine harness . . . . . Ea	\$106.00
6150	61 348 With HEI & special hi performance. . . . Ea	\$121.00
6151	61 348 With HEI exc special hi performance. . Ea	\$121.00
3482	62 409 Used with resistor . . . . . Ea	\$106.00
3482A	62 V8 Except 409 . . . . . Ea	\$106.00
6152	62 409 With HEI. . . . . Ea	\$121.00
9162A	63 Small block engine harness with HEI . . . . . Ea	\$121.00
3483	63 409-340/400/425 HP Used with ballast resistor . . . . . Ea	\$127.00
3483A	63 V8 Except 409 . . . . . Ea	\$106.00
6153	63 409 With HEI. . . . . Ea	\$142.00
3484	64 Engine harness 409 . . . . . Ea.	\$113.00
3484A	64 V8 except 409 . . . . . Ea	\$106.00
6154	64 409 with HEI . . . . . Ea	\$128.00
9084	65 409 Engine harness with warning lights . . . Ea	\$159.00
9085	65 409 Engine harness with guages . . . . . Ea	\$159.00
3485	61-62 Tach harness . . . . . Ea.	\$74.00
3486	63 Tach harness. . . . . Ea	\$52.00
3487	64 Tach harness. . . . . Ea	\$52.00
6787	63-64 Tach harness . . . . . Ea	\$22.00

### TACH HARNESS . . . . . 19.120

**Go to Show-Cars.com for updates and many more pictures**



# 507-233-1958 Fax 507-354-1959 1-24 Catalog 129

## DASH HARNESS ..... 19.150

4057	58 All	Ea	\$409.00
4058	59 Bel Air & Impala automatic	Ea	\$409.00
4059	59 Biscayne automatic	Ea	\$444.00
4060	59 Bel Air and Impala manual	Ea	\$409.00
4061	59 Biscayne manual	Ea	\$444.00
4062	60 BelAir, Biscayne & Impala automatic	Ea	\$409.00
4064	60 BelAir, Biscayne & Impala manual	Ea	\$409.00
4066	61 BelAir automatic	Ea	\$409.00
4067	61 Biscayne automatic	Ea	\$477.00
4068	61 Impala automatic	Ea	\$437.00
4069	61 BelAir manual	Ea	\$464.00
4070	61 Biscayne manual	Ea	\$471.00
4071	61 Impala manual	Ea	\$437.00
4072	62 BelAir automatic	Ea	\$464.00
4073	62 Biscayne automatic	Ea	\$409.00
4074	62 Impala automatic	Ea	\$409.00
4075	62 BelAir Manual	Ea	\$437.00
4076	62 Biscayne manual	Ea	\$464.00
4077	62 Impala manual	Ea	\$437.00
4078	63 Bel Air automatic	Ea	\$483.00
4079	63 Biscayne automatic	Ea	\$503.00
4080	63 Impala automatic	Ea	\$462.00
4081	63 Bel Air manual	Ea	\$483.00
4082	63 Biscayne manual	Ea	\$483.00
4083	63 Impala manual	Ea	\$462.00
4084	64 Impala auto or man console shift	Ea	\$437.00
4085	64 Impala auto or man console shift. w/AC	Ea	\$437.00
4086	64 BelAir automatic column shift	Ea	\$464.00
4087	64 Biscayne automatic column shift	Ea	\$464.00
4088	64 Impala automatic column shift	Ea	\$437.00
4089	64 Impala automatic column shift with air	Ea	\$437.00
4090	64 BelAir manual column shift	Ea	\$483.00
4091	64 Biscayne manual column shift	Ea	\$483.00
4092	64 Impala manual column shift	Ea	\$471.00

## DASH INSTRUMENT CLUSTER HAR- NESSES ..... 19.150

4093	63 BelAir & Biscayne	Ea	\$140.00
4094	63 Impala	Ea	\$140.00
4095	64 BelAir & Biscayne	Ea	\$140.00
4096	64 Impala	Ea	\$113.00
9076	Fuse box bulkhead wire connector emds	Ea	\$3.00

## DASH INSTRUMENT PACKAGES. . 19.151

9108	58 Impala VHX instruments. Available with your choice of black or silver alloy gauge-face styling, each HDX system allows the user to select independent illumination colors for the gauge readings and needles, as well as the message centers. Calibration and personal settings are manipulated with the
------	---

built-in, capacitive-touch buttons, or the available Bluetooth app for Apple and Android devices. Each needle hub is black nickel plated spun-aluminum to match the buttons. All HDX instrument systems feature dead-faced indicators (EPs, high beam, check engine, cruise control, parking brake, plus two user-definable), and a red, settable warning light for each gauge. With our central control box, installation is greatly simplified with vehicle-harness sourced signals and supplied, solid state sending units connecting cleanly to their respective terminal.-Dakota Digital ..... Kit \$1250

9109 58 Impala VHX Instruments Fully lit needles, backlit faces, and highly visible LCD message centers are a few of the things that you can see which set the VHX Series apart from yesterday's traditional approach to instrumentation. A few of the features which you don't normally see are the micro-controlled precision stepper motors, solid state sensors for unparalleled accuracy, and user-customizable display feedback, all supported by an unrivaled limited lifetime warranty, the VHX Series has completely revolutionized the instrumentation industry!-Dakota Digital ..... Kit \$1250.00

9110 58 Impala digital dash system. Dakota Digital Series III instrument systems offer the latest technologies and features for your custom vehicle. High brightness vacuum fluorescent displays provide a lifetime of trouble free use while offering increased accuracy and features! Full 6 Gauge Instrument System fits into OEM bezel for 1958 Chevy Impala. Fits directly into existing bezel (not included)-Dakota Digital ..... Kit \$700.00

9111 59-60 Impala/El Camino RTX instruments. Fins and style for miles, but the 1959-60 Chevy dash has become an icon in the custom world. We find these quintuple clusters installed in everything from kustoms to mini trucks, and the RTX series is sure to wow them all. OE-styling for the faces with a large, full color TFT digital display and the flexibility to choose your own lighting colors make this a slam dunk. Requires use of stock gauge pods. The RTX series is the latest from Dakota Digital, focused on retaining that stock look without sacrificing the late-model features you love. Every effort has been put forth to incorporate OEM design elements regarding the layout, face styling and indicators. A casual glance may dismiss these as original equipment, but once you hit the switch and the LED backlighting comes on in your favorite color scheme, all doubts will be removed. Starting from scratch, CNC machined housings are filled with electronics designed and built in-house, helping Dakota Digital once again raise the bar for aftermarket instrumentation. The high-definition TFT message centers can be fully configured to display just about any piece of information needed. As you've come to expect from Dakota Digital, the RTX series utilizes a central control box to make installation and setup as easy as possible.\*Bezel not included, System uses OEM or reproduction style bezel-Dakota Digital ..... Kit \$1250.00

**All prices subject to change without notice. Any installed part is not returnable**

# Page 130 Show-Cars.com 1-24 Catalog

- 9112 59-60 Impala/El Camino HDX instruments. There may be as many 1959-60 Chevy dashes in custom vehicles as originally installed by GM. Whatever your original cast pods are in, this package is designed to install directly into stock housings, and brings six analog sweep readouts plus a large, full color TFT message center. Choose from black or silver face styling, and your sled is ready for the next century!  
Available with your choice of black or silver alloy gauge-face styling, each HDX system allows the user to select independent illumination colors for the gauge readings and needles, as well as the message centers. Calibration and personal settings are manipulated with the built-in, capacitive-touch buttons, or the available Bluetooth app for Apple and Android devices. Each needle hub is black nickel plated spun-aluminum to match the buttons. All HDX instrument systems feature dead-faced indicators (EPs, high beam, check engine, cruise control, parking brake, plus two user-definable), and a red, settable warning light for each gauge. With our central control box, installation is greatly simplified with vehicle-harness sourced signals and supplied, solid state sending units connecting cleanly to their respective terminal. Click the tabs below for a more in-depth look at the HDX series!  
\*Bezel not included. System uses OEM or reproduction style bezel.-Dakota Digital ..... Kit \$1250.00
- 9113 59-60 Impala/ El Camino VHX instruments. 1959 marked a change in the GM lineup, and the dash in '59 and '60 Chevy's was a homerun, extremely popular still today. Fitting into the stock instrument housings of all 1959-60 Chevy full size cars, including El Camino, this kit brings modern information to a classic design with no alterations.  
Fully lit needles, backlit faces, and highly visible LCD message centers are a few of the things that you can see which set the VHX Series apart from yesterday's traditional approach to instrumentation. A few of the features which you don't normally see are the micro-controlled precision stepper motors, solid state sensors for unparalleled accuracy, and user-customizable display feedback, all supported by an unrivaled limited lifetime warranty which has become the standard for Dakota Digital instrumentation systems. The VHX Series has completely revolutionized the instrumentation industry!  
\*System installs into stock cast dash pods, not included\*-Dakota Digital ..... Kit \$750.00
- 9114 59-60 Impala/el Camino Digital instrument system. Dakota Digital Series III instrument systems offer the latest technologies and features for your custom vehicle. High brightness vacuum fluorescent displays provide a lifetime of trouble free use while offering increased accuracy and features!  
Full 6 Gauge Instrument System fits into OEM bezel for 1959- 60 Chevy Impala/ El Camino.  
Fits directly into existing bezel (not included)-Dakota Digital ..... Kit \$650.00
- 9115 61-62 Impala RTX instruments. Embrace the shapes in your 1961-62 Chevy dashboard and drop this multi-function, multi-color beauty in place! New aluminum chrome bezels are supplied for the round gauges, while your stock stamped trim for the speedometer is reused. From three-wheeling down Whittier Blvd. to power shifting a 409/425, the stock look will make you smile every time you hit the key!  
The RTX series is the latest from Dakota Digital, focused on retaining that stock look without sacrificing the late-model features you love. Every effort has been put forth to incorporate OEM design elements regarding the layout, face styling and indicators. A casual glance may dismiss these as original equipment, but once you hit the switch and the LED back-lighting comes on in your favorite color scheme, all doubts will be removed.  
Starting from scratch, CNC machined housings are filled with electronics designed and built in-house, helping Dakota Digital once again raise the bar for aftermarket instrumentation. The high-definition TFT message centers can be fully configured to display just about any piece of information needed. As you've come to expect from Dakota Digital, the RTX series utilizes a central control box to make installation and setup as easy as possible.  
\*Bezel not included, shown for visual/presentation purposes. System uses OEM or reproduction style bezel-Dakota Digital ..... Kit \$1250.00
- 9116 61-62 Impala HDX instruments. No reason to hack up your dashboard for a group of round gauges with a direct-fit instrument system like this available! This kit includes new chrome housings/bezels for the round gauges, while you reuse the rectangle speedometer trim piece. Twin TFT message centers allow the pilot to view pertinent information at any time while retaining that '60s class. Available with black or silver face styling.  
Available with your choice of black or silver alloy gauge-face styling, each HDX system allows the user to select independent illumination colors for the gauge readings and needles, as well as the message centers. Calibration and personal settings are manipulated with the built-in, capacitive-touch buttons, or the available Bluetooth app for Apple and Android devices. Each needle hub is black nickel plated spun-aluminum to match the buttons. All HDX instrument systems feature dead-faced indicators (EPs, high beam, check engine, cruise control, parking brake, plus two user-definable), and a red, settable warning light for each gauge. With our central control box, installation is greatly simplified with vehicle-harness sourced signals and supplied, solid state sending units connecting cleanly to their respective terminal.  
\*Bezel not included, shown for visual/presentation purposes. System uses OEM or reproduction style bezel-Dakota Digital ..... Kit \$1250.00
- 9117 61-62 Impala VHX Instruments. The new VHX Systems fit directly into the stock dash of a 1961-62 Chevy Impala without modification. The upper (speedometer/voltmeter/fuel level/message centers) display utilizes the stock trim ring,

**Go to Show-Cars.com for updates and many more pictures**

# 507-233-1958 Fax 507-354-1959 1-24 Catalog 131

whereas the lower displays (tachometer/oil pressure/water temp) include machined aluminum/chromed new instrument housings.

Fully lit needles, backlit faces, and highly visible LCD message centers are a few of the things that you can see which set the VHX Series apart from yesterday's traditional approach to instrumentation. A few of the features which you don't normally see are the micro-controlled precision stepper motors, solid state sensors for unparalleled accuracy, and user-customizable display feedback, all supported by an unrivaled limited lifetime warranty which has become the standard for Dakota Digital instrumentation systems. The VHX Series has completely revolutionized the instrumentation industry!

61-62 Impala dashboard and Chrome Speedometer Trim/ Bezel not included-Dakota Digital . . . . . Kit \$750.00

features you love. Every effort has been put forth to incorporate OEM design elements regarding the layout, face styling and indicators. A casual glance may dismiss these as original equipment, but once you hit the switch and the LED backlighting comes on in your favorite color scheme, all doubts will be removed.

Starting from scratch, CNC machined housings are filled with electronics designed and built in-house, helping Dakota Digital once again raise the bar for aftermarket instrumentation. The high-definition TFT message centers can be fully configured to display just about any piece of information needed. As you've come to expect from Dakota Digital, the RTX series utilizes a central control box to make installation and setup as easy as possible.

\*Bezel not included.

System uses OEM or reproduction style bezel.-Dakota Digital . . . . . Kit \$1250.00

9118 61-62 Impala digital instrument system. Full 6 Gauge Instrument System includes new aluminum panel for 1961- 62 Chevy Impala.-Dakota Digital . . . . . Kit \$700.00

9119 63 Impala RTX instruments Looks like: 1963 – feels like: 2019. We drew upon the factory instrument cluster found in the 1963-64 Chevy Impala, Bel Air and Biscayne and added our LED backlighting, TFT message centers and full color-changing abilities. Use your stock steel front bezel (not supplied) and connect it to anything from a 283 to a twin turbo LS3. Jet smooth, to say the least!

The RTX series is the latest from Dakota Digital, focused on retaining that stock look without sacrificing the late-model features you love. Every effort has been put forth to incorporate OEM design elements regarding the layout, face styling and indicators. A casual glance may dismiss these as original equipment, but once you hit the switch and the LED backlighting comes on in your favorite color scheme, all doubts will be removed.

Starting from scratch, CNC machined housings are filled with electronics designed and built in-house, helping Dakota Digital once again raise the bar for aftermarket instrumentation. The high-definition TFT message centers can be fully configured to display just about any piece of information needed. As you've come to expect from Dakota Digital, the RTX series utilizes a central control box to make installation and setup as easy as possible.

\*Bezel not included.

System uses OEM or reproduction style bezel.-Dakota Digital . . . . . Kit \$1250.00

9120 64 Impala RTX instruments, 64 Impala RTX instruments Looks like: 1964 – feels like: 2019. We drew upon the factory instrument cluster found in the 1963-64 Chevy Impala, Bel Air and Biscayne and added our LED backlighting, TFT message centers and full color-changing abilities. Use your stock steel front bezel (not supplied) and connect it to anything from a 283 to a twin turbo LS3. Jet smooth, to say the least! The RTX series is the latest from Dakota Digital, focused on retaining that stock look without sacrificing the late-model

9121 63-64 Impala HDX instruments. Add some 21st Century technology to your Jet-Smooth ride! A simple bolt-in installation, this package affords six analog, sweep-needles plus a full-color, fully-configurable TFT message center. You'll feel like you're in the cockpit of a trans-Atlantic flight with all of the information at your fingertips. Available with black or silver face styling.

Available with your choice of black or silver alloy gauge-face styling, each HDX system allows the user to select independent illumination colors for the gauge readings and needles, as well as the message centers. Calibration and personal settings are manipulated with the built-in, capacitive-touch buttons, or the available Bluetooth app for Apple and Android devices. Each needle hub is black nickel plated spun-aluminum to match the buttons. All HDX instrument systems feature dead-faced indicators (EPs, high beam, check engine, cruise control, parking brake, plus two user-definable), and a red, settable warning light for each gauge. With our central control box, installation is greatly simplified with vehicle-harness sourced signals and supplied, solid state sending units connecting cleanly to their respective terminal.

\*Bezel not included..

System uses OEM or reproduction style bezel -Dakota Digital . . . . . Kit \$1250.00

9122 63-64 Impala VHX instruments. An innovative design solution for the large instrument housing found in the 1963-64 Impala, VHX-63C-IMP incorporates six analog instruments with one, large LCD message center capable of displaying two readings at one time. All indicators are integrated into the instrument face and remain hidden until activated.

750Fully lit needles, backlit faces, and highly visible LCD message centers are a few of the things that you can see which set the VHX Series apart from yesterday's traditional approach to instrumentation. A few of the features which you don't normally see are the micro-controlled precision stepper motors, solid state sensors for unparalleled accuracy, and

**All prices subject to change without notice. Any installed part is not returnable**

# Page 132 Show-Cars.com 1-24 Catalog

user-customizable display feedback, all supported by an unrivaled limited lifetime warranty which has become the standard for Dakota Digital instrumentation systems. Completely engineered and manufactured at our facility in Sioux Falls, South Dakota, the VHX Series has completely revolutionized the instrumentation industry!

\*Bezel not included, shown for visual/presentation purposes. System uses OEM or reproduction style bezel. -Dakota Digital . . . . . Kit \$750.00

9123 63-64 Impala digital system less clock. Dakota Digital Series III instrument systems offer the latest technologies and features for your custom vehicle. High brightness vacuum fluorescent displays provide a lifetime of trouble free use while offering increased accuracy and features!  
Full 6 Gauge Instrument System fits into OEM bezel for 1963- 64 Chevy Impala.  
Fits directly into existing bezel (not included)-Dakota Digital . . . . . Kit \$700.00

9124 63-64 Impala digital system with clock. Dakota Digital Series III instrument systems offer the latest technologies and features for your custom vehicle. High brightness vacuum fluorescent displays provide a lifetime of trouble free use while offering increased accuracy and features!  
Full 6 Gauge Instrument System fits into OEM bezel for 1963- 64 Chevy Impala.  
Fits directly into existing bezel (not included)-Dakota Digital . . . . . Kit \$770.00

## HORN RELAY . . . . . 19.170

1156 58-62 horn relay . . . . . Ea. \$14.75  
1157 63-64 horn relay . . . . . Ea. \$31.00  
7325 Horn relay for internall regulated alternator. . . Ea \$41.00

## CONSOLE HARNESSSES . . . . . 19.190

4049 62 SS convertible with courtesy light . . . . . Ea \$61.00  
4050 62 SS coupe with courtesy light . . . . . Ea \$61.00  
4055 62 Courtesy light harness, coupe for dual overhead lights mounted in roof panel . . . . . Ea \$60.00  
5811 63 Console door light harness and switch with bulb . . . . . Ea. \$27.00  
7067 63 Console extension harness for auto trans. . . Ea \$46.00  
4051 63 Super sport with courtesy light . . . . . Ea \$61.00  
4056 63-64 Courtesy light harness, coupe for dual overhead lights mounted in roof panel . . . . . Ea \$60.00  
4052 64 Console extension harness automatic . . . . . Ea \$80.00  
4053 64 Console extension harness manual . . . . . Ea \$46.00  
4054 64 Console harness, all . . . . . Ea \$27.00

## AIR CONDITIONING HARNESS . . . 19.200

7071 58 Air cond harness . . . . . Ea \$153.00  
4039 59-60 Air cond harness . . . . . Ea \$153.00  
7488 61 Air cond harness. . . . . Ea \$160.00

4040 62 Air cond harness. . . . . Ea \$153.00  
4041 63 Air cond harness. . . . . Ea \$153.00  
4042 64 Air cond harness with C.A.C. air. . . . . Ea \$149.00  
4043 64 Air cond harness with under dash A/C unit. Ea \$153.00

## TURN SIGNAL . . . . . 19.220

6204 57-58 Turn signal switch assembly. . . . . Ea \$29.00  
2003B 59-62 Turn signal switch. . . . . Ea \$23.00  
6035 58-63 Upper steering column bearing assembly with lead . . . . . Ea \$24.00  
8212 58-60 64 Impala horn contact except wood steering wheel . . . . . Ea \$17.00  
8364 59-60 Turn signal cable, stainless steel (long) . Ea \$19.50  
8365 61-62 Turn signal cable, stainless steel (short) Ea \$19.50  
6036 Horn contact kit 58-60 (except Impala) 62-63 Impala only . . . . . Kit \$17.00  
8195 61 Horn contact harness . . . . . Ea \$21.50  
6031 59-60 Turn signal mechanism repair kit . . . . . Kit \$35.00  
6033 59-62 Pivot bolt for EP mechanism . . . . . Ea. \$5.25  
6034 59-64 Turn signal cancel cam without tilt. . . . . Ea \$17.95  
8157 59-64 Turn Signal cancel cam without tilt (mounts on steering wheel (Imported). . . . . Ea \$7.50  
6032 61-62 Turn signal mechanism repair kit . . . . . Kit \$35.00  
4823 63 Turn signal cam without tilt. . . . . Ea \$11.50

2003 63 Turn signal switch and harness kit w/o tilt (Imported) . . . . . Ea \$56.50  
8149 63 Turn signal switch w/o tilt (USA) . . . . . Ea \$91.00  
6857 63-64 Turn signal switch with tilt mounts on lower column . . . . . Ea \$56.75  
8775 63 Tilt steering adapter harness for EP switch . . . . . Ea \$62.00  
4823 63 Turn signal cam without tilt . . . . . Ea \$11.50  
6859 63-64 Turn signal cancel cam with tilt wheel, mounts on steering wheel . . . . . Ea \$15.95  
2003C 64 Turn signal switch . . . . . Ea \$50.00  
8776 64 Tilt steering adapter harness for turn signal switch . . . . . Ea \$52.00  
4824 64-67 Turn signal cam without tilt, mounts on turn signal switch . . . . . Ea \$5.00

## DOMELIGHT HARNESS . . . . . 19.221

6902 58 Dome light harness, Impala 2 Dr hardtop . . Ea \$49.00  
6903 58 Dome light harness. Bel Air, Biscayne and Del Ray 2 door . . . . . Ea \$34.00  
8484 61 Courtesy lamp harness, side roofrail lamp, Impala sport coupe . . . . . Ea \$63.00  
8485 61-62 Courtesy lamp harness, dash . . . . . Ea \$60.00  
8486 61-62 Door jam courtesy light switch extension harness, passanger side . . . . . Ea \$8.00

## ALTERNATOR PLUG REPAIR HARNESS .

Go to Show-Cars.com for updates and many more pictures

# 507-233-1958 Fax 507-354-1959 1-24 Catalog 133

## 19.230

3573 62-64 Alternator plug repair harness. . . . . Ea \$5.38

## CLOCK HARNESS . . . . . 19.240

4047 58 clock harness,dash mounted clock. . . . . Ea \$32.00

## FRONT LIGHT HARNESS . . . . . 19.250

4097 58 6 Cylinder. . . . . Ea \$184.00

4098 58 6 Cylinder with heavy duty generator . . . . Ea \$184.00

4099 58 Front park light bar wiring. . . . . Ea \$74.00

4100 58 V8 Front light harness V8 stock generator  
. . . . . Ea \$145.00

4101 58 V8 With air suspension . . . . . Ea \$192.00

4102 58 V8 With heavy duty generator. . . . . Ea \$184.00

7255 58 With internal regulated alternator . . . . . Ea \$172.00

4103 59 6 Cylinder. . . . . Ea \$220.00

4104 59 6 Cylinder with heavy duty generator . . . . Ea \$220.00

4105 59 V8 . . . . . Ea \$220.00

4106 59 V8 with heavy duty generator . . . . . Ea \$220.00

7256 59 With internal regulated alternator . . . . . Ea \$198.00

4107 60 6 Cylinder. . . . . Ea \$275.00

4108 60 6 Cylinder with heavy duty generator . . . . Ea \$275.00

4109 60 V8 . . . . . Ea \$211.00

4110 60 V8 With heavy duty generator. . . . . Ea \$251.00

7180 60 For alternator conversion with internal regulator,  
. . . . . Ea \$251.00

4110A 61 V8 With generator . . . . . Ea \$251.00

4111 62 V8 With generator. . . . . Ea \$251.00

6847 61 For alternator conversion with internal regulator,  
. . . . . Ea \$251.00

4112 62 V8 With alternator (factory delcotron, rare) Ea \$251.00

6888 62 For alternator with internal regulator. . . . . Ea \$237.00

6889 62 For 63-65 alternator and 63-65 voltage regulator.  
. . . . . Ea \$264.00

4113 63 V8 . . . . . Ea \$237.00

7257 63 V8 With internal regulated alternator. . . . . Ea \$262.00

9106 63 V8 With passenger side mounted internal regulated alter-  
nator . . . . . Ea \$272.00

4114 64 V8 . . . . . Ea \$237.00

7258 64 With internal regulated alternator . . . . . Ea \$262.00

9086 65 All V8 with warning lights. . . . . Ea \$264.00

9087 65 All V8 with guages. . . . . Ea \$264.00

## HEADLIGHT HARNESS . . . . . 19.280

4115 58 Headlight and connector harness,set of 2 . . Set. \$80.00

4116 59 Headlight and connector harness,set of 2 . . Set. \$67.00

## REAR BODY LIGHT HARNESS. . . . 19.350

4129 58 Biscayne & BelAir. . . . . Ea \$186.00

4130 58 DelRay . . . . . Ea \$186.00

4131 58 Impala convertible . . . . . Ea \$239.00

4132 58 Impala all except convertible. . . . . Ea \$186.00

4133 59 Front BelAir & Impala ( use with 4136) . . . Ea \$140.00

4134 59 Front Biscayne (use with 4136) . . . . . Ea \$140.00

4135 59 Rear body harness front, Impala convertible  
. . . . . Ea \$225.00

4136 59 Rear body tail lamp extension harness. . . . . Ea \$92.00

4137 60 Front Bel Air & Impala ( use with 4141 or 4142)  
. . . . . Ea \$140.00

4138 60 Front Biscayne (use with 4141) . . . . . Ea \$140.00

4139 60 Front Impala convertible 1st design without power feed  
circuit breaker in kick panel (use with 4142) . . Ea \$226.00

4140 60 Front Impala convertible 2nd design with power feed  
circuit breaker kick panel (use with 4142) . . . Ea \$226.00

4141 60 Rear body tail lamp harness for Biscayne & BelAir  
. . . . . Ea \$140.00

4142 60 Rear body tail lamp harness for Impala . . . . Ea \$140.00

4143 61 Bel Air ( for use with part 4150) . . . . . Ea \$140.00

4144 61 Impala (use with 4147 or 4149) . . . . . Ea \$80.00

4145 61 Front BelAir & Impala 2 door (use with 4146 or 4153)  
. . . . . Ea \$92.00

4146 61 Front BelAir & Impala 4 door (use with 4150 or 4153)  
. . . . . Ea \$101.00

4147 61 Front Biscayne 2 door (use with 4151) . . . . Ea \$105.00

4148 61 Front Biscayne 4 door (use with 4152) . . . . Ea \$113.00

4149 61 Front Impala convertible (use with 4152) . . . Ea \$193.00

4150 61 Rear BelAir (use with 4154) . . . . . Ea \$60.00

4151 61 Rear Biscayne (use with 4154) . . . . . Ea \$60.00

4152 61 Rear Impala convertible (use with 4154) . . . Ea \$80.00

4153 61 Rear Impala except convertible (use with 4154)  
. . . . . Ea \$80.00

4154 61 Rear body tail lamp extension . . . . . Ea \$67.00

4155 62 Rear body deck lid harness BelAir for special order single  
back up lights located in trunk lid. . . . . Ea \$60.00

4156 62 rear body deck lid harness for BelAir for stock single tail  
lights in trunk lid. . . . . Ea \$60.00

4157 62 Rear body deck lid harness for Impala . . . . Ea \$80.00

4158 62 Front Bel Air 2 door except sport coupe (use with 4166)  
. . . . . Ea \$173.00

4159 62 Front Bel Air 4 door (for use with 4166) . . . Ea \$173.00

4160 62 Front Bel Air 2 door sport coupe (for use with 4166)  
. . . . . Ea \$173.00

4161 62 Front Biscayne 2 door (use with 4166) . . . . Ea \$173.00

4162 62 Biscayne 4 door (use with 4166) . . . . . Ea \$173.00

4163 62 Front Impala convertible (use with 4166) . . . Ea \$233.00

4164 62 Front Impala sedan (for use with 4166 . . . . Ea \$173.00

4165 62 Front Impala sport coupe (use with 4166) . . . Ea \$173.00

4166 62 Rear body tail lamp extension harness . . . . Ea \$60.00

4167 63 Rear body deck lid harness BelAir without backup lights  
. . . . . Ea \$45.00

4168 63 Rear body deck lid harness Biscayne & BelAir with back  
up lights . . . . . Ea \$74.00

4169 63 Rear body deck lid harness for Impala . . . . Ea \$80.00

4170 63 Biscayne & Bel Air 2 door with back up lights  
. . . . . Ea \$199.00

**All prices subject to change without notice. Any installed part is not returnable**

# Page 134 Show-Cars.com 1-24 Catalog

4171	63 Biscayne and Bel Air 2 door without backup lights	Ea	\$199.00
4172	63 Biscayne & Bel Air 4 door with back up lights	Ea	\$199.00
4173	63 Biscayne and Bel Air 4 door without backup lights	Ea	\$199.00
4174	63 Impala 4 door	Ea	\$199.00
4175	63 Impala convertible	Ea	\$245.00
4176	63 Impala sport coupe	Ea	\$199.00
4177	64 Rear body deck lid harness BelAir without backup lights	Ea	\$60.00
4178	64 Rear body deck lid harness Biscayne & Bel Air with back-up lights	Ea	\$67.00
4179	64 Rear body deck lid harness for Impala	Ea	\$87.00
4180	64 Biscayne & Bel Air 2 door with back up lights	Ea	\$206.00
4181	64 Biscayne and Bel Air 2 door without backup lights	Ea	\$198.00
4182	64 Biscayne & Bel Air 4 door with backup lights	Ea	\$206.00
4183	64 Biscayne and Bel Air 4 door without backup lights	Ea	\$198.00
4184	64 Impala 4 door	Ea	\$206.00
4185	64 Impala convertible	Ea	\$264.00
4186	64 Impala sport coupe	Ea	\$206.00
<b>BACK UP LIGHT HARNESSSES . . . . 19.400</b>			
4044	58 Biscayne & Delray	Ea	\$34.00
4045	58 Impala	Ea	\$29.00
4046	59-60 Biscayne BelAir	Ea	\$29.00
<b>POWERLEAD WIRES . . . . . 19.500</b>			
4117	58 Power lead wire for conv top power seats, windows rear body	Ea	\$20.00
4118	58 Power lead wire for conv. Top, power seats + windows 348 only starter solenoid to 4119 wire.	Ea	\$15.00
4119	58 Power lead wire for conv. Top, power seats + windows 348 CI	Ea	\$15.00
8291	59-60 Power lead wire, convertible top, seats and windows. Starter solenoid to rear body power feed connector	Ea	\$15.00
4120	61-62 power lead wire conv. top, power wind starter solenoid to bulkhead	Ea	\$17.00
4121	61-62 Power lead wire power seat, circuit breaker to seat adj. Control	Ea	\$21.00
4122	61-62 Power lead wire starter solenoid to a/c harness	Ea	\$25.00
4123	61-64 Power lead wire conv. top, power windows, bulkhead to cir breaker	Ea	\$13.00
4124	63 Power lead wire, power seat, circuit breaker to seat adj. control	Ea	\$22.00
4125	63-64 Power lead wire, conv. top, pow. Windows, bulkhead to circuit breaker	Ea	\$22.00
4126	63-64 Power lead wire, conv top, pow windows, starter solenoid to bulkhead, 6 cylinder	Ea	\$17.00

4127	63-64 Power lead wire conv. top, power windows, starter solenoid to bulkhead, V8	Ea	\$17.00
4128	64 Power lead wire, power seat, circuit breaker to seat adjuster control	Ea	\$36.00

## **SPEAKER WIRE . . . . . 19.600**

4188	63-64 Convertible rear seat rear section	Each	\$25.00
4189	63-64 Sedan rear seat	Each	\$32.00
4190	63-64 Sport Coupe rear seat	Each	\$32.00
4187	63-64 Speaker wire, conv, rearseat speaker front section	Each	\$34.00

## **WIPER MOTOR HARNESSSES (FULL SIZE) 19.700**

4191	58 Electric wipers	Ea	\$23.00
7453	59 Single speed wipers	Ea	\$27.00
4192	59-60 2 Speed wipers	Ea	\$40.00
7454	60 Single speed wipers	Ea	\$27.00
4193	61-62 2 Speed wipers	Ea	\$40.00
7455	61-62 Single speed wipers	Ea	\$27.00
4194	63 2 Speed wipers	Ea	\$34.00
7456	63 Single speed wipers	Ea	\$20.00
4195	64 2 Speed wipers	Ea	\$40.00
4196	64-65 Single speed wipers	Ea	\$27.00

## **GROUND STRAP KITS . . . . . 19.980**

1065	58-72 Body ground strap kits	Ea	\$22.00
------	------------------------------	----	---------

## **LIGHT SOCKETS . . . . . 19.985**

8252	Metal light socket 3/4" hole uses 1157 standard bulb 2 wire	Ea	\$10.00
8253	Metal tail light socket 1-1/8" hole uses 1157 bulb 2 wire.	Ea	\$14.00
8254	Plastic with metal retainer light socket 1-1/8" hole uses 1157 bulb 2 wire	Ea	\$14.00
8255	Plastic with metal retainer light socket 1-1/8" hole uses 1156 bulb 1 wire	Ea	\$14.00
8256	Metal light socket 3/4" hole uses 1156 bulb 1 wire	Ea	\$12.00

## **LIGHT BULBS . . . . . 19.985**

8745	58 Impala exterior bulb kit	Ea	\$10.00
8746	59-63 Impala exterior bulb kit	Ea	\$11.00
8747	64 Impala exterior bulb kit.	Ea	\$11.00
8748	61 Bel Air/Biscayne exterior bulb kit	Ea	\$8.00
8749	62-63 Bel Air/Biscayne exterior bulb kit	Ea	\$8.00
8750	64 Bel Air Biscayne exterior bulb kit	Ea	\$15.00
8751	58 Impala interior bulb kit	Ea	\$16.00
8752	59-61 Impala interior bulb kit	Ea	\$16.00
8753	62-63 Impala interior bulb kit	Ea	\$18.00
8754	64 Impala interior bulb kit	Ea	\$18.00

**Go to Show-Cars.com for updates and many more pictures**

**Trunk . . . . . 20**

**20.160 . . . . . TRUNK CARDBOARD**  
 3307 62-64 Rear seat cardboard and felt . . . . . Ea. \$43.20

**TRUNK MATS . . . . . 20.070**

3488	58 Rubber trunk mat . . . . .	Ea	\$168.00
3489	59 Rubber trunk mat . . . . .	Ea	\$99.00
3491	60 Rubber trunk mat . . . . .	Ea	\$106.00
3493C	61 Rubber trunk mat, convertible . . . . .	Ea	\$57.00
3495	62-64 Rubber trunk mat . . . . .	Ea	\$69.50
3497	62-64 Rubber trunk mat, convertible . . . . .	Ea	\$86.00

**TRUNK LID . . . . . 20.075**

8269	59-72 Trunk latch. (Imported). . . . .	Ea	\$54.00
6882	61-64 Trunk hinge hardtop & sedan . . . . .	Pr	\$64.25
6883	61-64 Trunk hinge convertible . . . . .	Pr	\$112.00
6884	61-64 Trunk hinge springs hardtop & sedan. . .	Pr	\$59.00

**SPARE TIRE . . . . . 20.080**

7934	58 Spare tire hold down bolt. . . . .	Ea	\$16.45
7935	58 Station wagon Spare tire hold down bolt. . .	Ea	\$16.45
7936	59 Spare tire hold down bolt. . . . .	Ea	\$16.45
7937	59 6 Passenger station wagon Spare tire hold down bolt . . . . .	Ea	\$16.45
7938	59 9 Passenger station wagon Spare tire hold down bolt . . . . .	Ea	\$16.45
7939	59 El Camino Spare tire hold down bolt. . . . .	Ea	\$16.45
7940	60 Spare tire hold down bolt. . . . .	Ea	\$16.45
7941	60 6 Passenger station wagon Spare tire hold down bolt . . . . .	Ea	\$16.45
7942	60 9 Passenger station wagon Spare tire hold down bolt . . . . .	Ea	\$16.45
7943	60 El Camino Spare tire hold down bolt. . . . .	Ea	\$16.45
7944	61-64 Spare tire hold down bolt except shtation wagon . . . . .	Ea	\$16.45
7946	61 Station wagon Spare tire hold down bolt. . .	Ea	\$16.45
7949	62 Station wagon Spare tire hold down bolt. . .	Ea	\$16.45
7952	63-64 Station wagon Spare tire hold down bolt . . . . .	Ea	\$16.45
7953	Spare tire wing nut . . . . .	Ea	\$16.45

**TRUNK LID INSULATION . . . . . 20.150**

5745	58 Trunk lid insulation 2D Hard Top. . . . .	Ea.	\$49.50
5753	58 Trunk lid insulation, sedan. . . . .	Ea.	\$49.90
5746	59 Trunk lid insulation . . . . .	Ea.	\$49.50
5746A	59 Convertible and sedand trunk lid insulation . . . . .	Set	\$49.50
5747	60 Trunk lid insulation,conv, 2 & 4 door sedan . . . . .	Ea.	\$49.50
5754	60 Trunk lid insulation, 2 dr hardtop, Bel Air . . . . . . .	Ea.	\$49.50
5748	61 Trunk lid insulaton . . . . .	Ea	\$49.50
5749	62 Trunk lid insulation hardtop and conv. . . . .	Ea.	\$49.50
5750	63 Trunk lid insulation Impala hardtop and conv. . . . . .	Ea.	\$49.50
5751	64 Trunk lid insulation . . . . .	Ea.	\$78.00
5752	Bulk trunk insulation 24 X 36. . . . .	Ea.	\$37.50

**All prices subject to change without notice. Any installed part is not returnable**

## Accessories . . . 21

### GRILL GUARDS . . . . . 21.000

7678	59 Grill guard . . . . .	Ea	\$459.00
8666	59 Grill guard rubber bumpers . . . . .	Pr	\$50.75
6392	61 Hood opener extension used with grill guard . . . . .	Ea	\$56.00
6393	61 Grill guard bumpers with hardware . . . . .	Pr	\$50.75
7679	62 Grill guard . . . . .	Ea	\$250.00
3531	63 Grill guard bumpers . . . . .	Ea	\$16.45
5231	63 Hood opener extension, used with grill guard . . . . .	Ea	\$45.00
5229	63 Grill guard with rubber bumpers . . . . .	Ea	\$221.95

### WINDSHIELD WASHER BOTTLE . . 21.020

5597	Windshield Washer Bottle, with bracket and cap . . . . .	Ea	\$42.90
5492	Washer Bottle cap . . . . .	Ea	\$8.00
5690	Washer Bottle . . . . .	Ea	\$30.00
5691	Washer Bottle Bracket . . . . .	Ea	\$15.00
5692	Screw for bracket . . . . .	Pr	\$3.00

### EXHAUST PORTS . . . . . 21.040

5245	58-60 Exhaust ports . . . . .	Pr	\$79.00
------	-------------------------------	----	---------

### TOOL BAGS . . . . . 21.040

4797	56-58 Tool bag without tools . . . . .	Ea	\$39.95
1076	59-66 Tool bag without tools . . . . .	Ea	\$39.95

### MIRRORS . . . . . 21.140

1169	58-64 Vanity mirror . . . . .	Each	\$34.50
------	-------------------------------	------	---------

### REAR VIEW MIRRORS . . . . . 21.100

6617	58-62 Inside Rear-View Mirror, non glare reproduction of 58-62 original . . . . .	Ea	\$26.00
6618	58-62 Inside rear view Day/Night . . . . .	Ea	60.00
6619	63-66 Inside rear-view standard version, chrome . . . . .	Ea	\$30.00
6620	63-64 Inside rear view Day/Night . . . . .	Ea	\$44.00
6116	61-64 Hardtop mirror bracket . . . . .	Ea	\$29.00
6314	61-62 Convertible mirror bracket . . . . .	Ea	\$89.00
6315	63-64 Convertible mirror bracket . . . . .	Ea	\$60.00

### TISSUE DISPENSER . . . . . 21.190

3500	58 Passenger car tissue dispenser . . . . .	Each	\$70.00
3500A	59-60 Passenger car and Corvair tissue dispenser . . . . .	Each	\$78.65
3500B	61 Passenger car and Corvair tissue dispenser . . . . .	Each	\$86.25



**Show Cars Part #3500C**

3500C	62 Passenger car and Corvair tissue dispenser . . . . .	Each	\$83.50
3500D	63 Passenger car, Corvair and Nova tissue dispenser . . . . .	Each	\$78.65
3500E	64-65 Passenger car, Corvair, Nova and Chevelle tissue dispenser . . . . .	Each	\$82.50

### DOOR HANDLE SHIELDS . . . . . 21.240

3502	58 2 door . . . . .	Pr	\$29.99
6963	59 Door handle shields . . . . .	Pr	\$36.50



**Show Cars Part #6964**

6964	60-64 Door handle shields (60-61 all, 62 Biscayne, 63-64 all 2 doors) . . . . .	Pr	\$29.99
------	---	----	---------

### LIGHT KITS . . . . . 21.290

3505	58-64 Glove bx . . . . .	Ea	\$25.00
3506	58-71 Under hood . . . . .	Ea	\$60.00
4190A	59-67 Trunk light assembly . . . . .	Ea	\$43.00
5811	63 Console door light harness and switch with bulb . . . . .	Ea	\$32.00
5812	64 Console door light harness and switch with bulb . . . . .	Ea	\$32.00

### TRAFFIC LIGHT VIEWER . . . . . 21.290

3501	58 Traffic light viewer . . . . .	Ea	\$49.95
------	-----------------------------------	----	---------

### BUMPER GUARDS . . . . . 21.295

7680	60 Front bumper guards . . . . .	Pr	\$65.00
7681	60 Rear bumper guards . . . . .	Pr	\$65.00
7053	61 Rear bumper guard . . . . .	Ea	\$39.00
7682	62 Rear bumper guards . . . . .	Pr	\$131.55
7683	63 Rear bumper guard . . . . .	Pr	\$128.75

**Go to Show-Cars.com for updates and many more pictures**



# 507-233-1958 Fax 507-354-1959 1-24 Catalog 137

7684 64 Front bumper guards . . . . . Pr \$165.40  
 7685 64 Rear bumper guards . . . . . Pr \$175.00

## GAS DOOR GUARDS . . . . . 21.330

3510 61 Gas door guard . . . . . Ea \$15.00  
 3509 62 Gas door guard . . . . . Ea \$20.50  
 3507 64 Gas door guard . . . . . Ea \$12.00  
 3508 64 SS Gas door guard . . . . . Ea \$15.00

## TACHOMETER . . . . . 21.370

3597 61-62 Chrome tachometer cup . . . . . Ea \$84.65  
 3598 61-62 Chrome tachometer cup bracket . . . . . Ea \$30.20  
 3608 61-62 Tachometer cup rubber wire harness grommet . . . . . Ea \$6.00  
 4833 61-62 Tachometer cup nut-anchor with screw . Ea \$6.00  
 8582 61-62 tachometer cup/bracket assembly. (Includes 3597, 3598, 3608, 4833) . . . . . Set \$126.83  
 3628 61-62 Tachometer wire harness firewall grommet . . . . . Each \$4.40  
 4787 61-62 Sun EB-9A tachometer transmitter sticker . . . . . Each \$ 8.80  
 5395 61-62 Tachometer transmitter mounting screws-2 . . . . . Set \$2.75  
 3250 61-62 Tachometer sending unit detail screw kit 12 pcs . . . . . Kit \$12.05  
 4816 61-62 Tachometer bracket to column screws-(2) . . . . . Set \$3.03  
 6101 61-64 Tachometer light bulb . . . . . Ea \$3.00  
 6102 61-62 Bolt, nut & lock washer for tach cup . . . . . Set \$5.50  
 7070 61-62 Sun Tachometer lens . . . . . Ea \$10.00  
 5644 63-64 Tachometer lens . . . . . Ea \$49.95  
 4030 63-64 Tachometer housing to dash seal . . . . . Ea \$6.15  
 6247 Sun instruments quarter glass sticker . . . . . Ea \$5.45  
 4037 61-62 Tach wire harness diagram and installation guide . . . . . Ea \$10.95  
 6788 63-64 Tachometer housing & gasket . . . . . Ea \$89.00  
 6789 63-64 6000 RPM Tach instrument & lens . . . . . Ea \$189.00  
 6790 63-64 7000 RPM Tach instrument & lens . . . . . Ea \$189.00  
 6785 63-64 Tachometer hardware wiring and installation guide . . . . . Set \$5.50

8019 Bosch Tachometer (8000 RPM) with hardware Kit \$179.00  
 8674 61 348/409 7000 rpm tachometer and housing assembly no red line . . . . . Set \$785.00  
 8675 61-62 327 7000 rpm tachometer and housing assembly, 5200 red line. . . . . Set \$785.00  
 8673 62 409 7000 RPM tachometer and housing assembly 6200 red line . . . . . Set \$785.00  
 6782 63-64 6000 RPM tachometer & housing assembly, wiring & seal included . . . . . Set \$249.00  
 6783 63-64 7000 RPM tachometer & housing assembly, wiring & seal included . . . . . Set \$249.00  
 6787 63-64 Tach harness . . . . . Ea \$22.00

SC3018 61 7000 no red line tach face sticker . . . . . Ea \$18.10

3018 61 7000 no red line metal tach face . . . . . Ea \$36.19  
 SC5277 61-62 EB9A Tach transmitter adjustment transfer . . . . . Ea \$17.85

SC3021 62 7000 5200 red line tach face sticker . . . . . Ea \$18.10  
 3021 62 7000 5200 red line metal tach face . . . . . Ea \$36.19

SC3019 62 7000 6200 red line tach face sticker . . . . . Ea \$18.10  
 3019 62 7000 6200 red line metal tach face . . . . . Ea \$36.19  
 SC3022 63-64 6000 5200 red line tach face sticker . . . . . Ea \$18.10  
 SC3020 63-64 7000 6200 red line tach face sticker . . . . . Ea \$18.10  
 5644 63-64 Tachometer lens clear . . . . . Ea \$36.20

## FLOOR MATS AND FLOOR PROTECTORS . . . . . 21.380

6965 59-60 Black floor mats . . . . . Set \$279.99  
 6966 59-60 Red floor mats (No Returns) . . . . . Set \$279.99  
 6967 59-60 Blue floor mats (No Returns) . . . . . Set \$279.99

7056 59-60 El Camino floor mat, black . . . . . Set \$194.99  
 7057 59-60 El Camino floor mat, blue (No Returns) . Set \$194.99  
 7058 59-60 El Camino floor mat, red (No Returns) . Set \$194.99

5505RD 61-64 red floor mats 4 pcs (No Returns) . . . . . Set \$279.99  
 5505BL 61-64 Blue floor mats 4 pcs (No Returns) . . . . . Set \$279.99



**Show Cars Part #5505BLK**

5505BLK 61-64 Black floor mats 4 pcs . . . . . Set \$279.99  
 5505TAN 61-64 Tan floor mats 4 pcs (No Returns) . . . . . Set \$279.99

8167 61-64 Black floor mats 3pcs all exc SS . . . . . Set \$459.99  
 8168 61-64 Red floor mats 3pcs all exc SS (No Returns) . . . . . Set \$459.99

8169 61-64 Light Blue floor mats 3pcs all exc SS (No Returns) . . . . . Set \$459.99

8170 61-64 Med Blue floor mats 3pcs all exc SS (No Returns) . . . . . Set \$459.99

8171 61-64 Dark Blue floor mats 3pcs all exc SS (No Returns) . . . . . Set \$459.99

**All prices subject to change without notice. Any installed part is not returnable**

# Page 138 Show-Cars.com 1-24 Catalog

8172	61-64 Black floor mats 2pc all exc SS . . . . .	Set	\$429.99
8173	61-64 Red floor mats 2pc all exc SS (No Returns)	Set	\$429.99
8174	61-64 Light Blue floor mats 2pc all exc SS (No Returns)	Set	\$429.99
8175	61-64 Med Blue floor mats 2pc all exc SS (No Returns)	Set	\$429.99
8176	61-64 Dark Blue floor mats 2pc all exc SS (No Returns)	Set	\$429.99

## COMPASS . . . . . 21.390

8982	57-64 Chevy full size compass with white dial face, light kit included . . . . .	Kit	\$290.00
------	--	-----	----------



## Show Cars Part #8983

8983	57-64 Chevy full size compass with black dial face, light kit included . . . . .	Kit	\$290.00
8981	66-70 Compass GM #983335 with mounting hardware, reproduction . . . . .	Kit	\$50.00
5954	57-64 Compass bow tie pointer . . . . .	Ea	\$33.55
5931	55-64 Compass light and harness . . . . .	Ea	\$27.00
5953	58-64 Compass bracket. . . . .	Ea	\$33.85

## ANTENNA . . . . . 21.770

5704	58 Rear antenna driver or passenger. . . . .	Ea.	\$84.00
3768	58 Rear antenna nut . . . . .	Ea	\$11.00
3764	58 Rear antenna bezel . . . . .	Ea	\$39.95
8558	58 Rear antenna base gasket. . . . .	Ea	\$11.95
6164	58-64 Rear antenna lead wire, 15' . . . . .	Ea	\$16.00
6165	58-64 Front antenna lead wire, 7' . . . . .	Ea	\$8.00
3765	59-60 Rear antennna bezel . . . . .	Ea	\$24.00
4258	59 Rear antenna passenger side with lead. . . . .	Ea	\$89.95
4259	59 Rear antenna driver side dummy . . . . .	Ea.	\$72.00
8559	59 Rear antenna base gasket. . . . .	Ea	\$12.50
6751	60 Rear antenna passenger side with lead. . . . .	Ea	\$82.00
6752	60 Rear antenna driver side, dummy . . . . .	Ea	\$76.00
8560	60 Rear antenna base gasket, passenger . . . . .	Ea	\$12.00
8561	60 Rear antenna base gasket, driver . . . . .	Ea	\$12.00
3769	59-62 Rear antenna nut. . . . .	Ea	\$21.50

3766	61-62 Rear antenna bezel . . . . .	Ea	\$24.00
8518	61-62 Front antenna with lead . . . . .	Ea	\$74.00
3901	61-62 Passenger rear antenna gasket . . . . .	Ea	\$11.95
3901A	61-62 Driver rear antenna gasket . . . . .	Ea	\$12.95
4260	61-62 Antenna assembly passenger rear with lead . . . . .	Ea.	\$99.50
4261	61-62 Antenna driver side rear dummy . . . . .	Ea	\$88.50
3755	63 Antenna assembly passenger rear . . . . .	Ea	\$79.95
3756	63 Antenna assembly driver rear. . . . .	Ea	\$64.95
3767	63-64 Rear antenna bezel . . . . .	Ea	\$10.00
3770	63-64 Rear antenna nut . . . . .	Ea	\$7.50
5940	63-64 Front antenna with lead . . . . .	Ea.	\$59.00
8827	63-68 Rear antenna gasket, also corvette . . . . .	Ea	\$5.00
3757	64 Antenna assembly passenger rear . . . . .	Ea	\$69.95
3758	64 Antenna assembly driver rear. . . . .	Ea	\$64.95
3762	64-67 antenna mast AM original style . . . . .	Ea.	\$24.50

## LICENSE PLATE . . . . . 21.772

2005	58-63 Fastener kit . . . . .	Kit	\$9.00
4731	64 Fastener kit. . . . .	Kit	\$9.00

## SEAT BELTS . . . . . 21.780

7106B	Black front lift latch seat belts, 2 people, 74" . . . . .	Set	\$84.00
7107B	Black rear lift latch seat belts, 2 people, 60" . . . . .	Set	\$77.00
7106BR	Bright Red front lift latch seat belts, 2 people, 74" . . . . .	Set	\$84.00
7107BR	Bright Red rear lift latch seat belts, 2 people, 60" . . . . .	Set	\$77.00
7106DR	Dark Red front lift latch seat belts, 2 people, 74" . . . . .	Set	\$69.00
7107DR	Dark Red rear lift latch seat belts, 2 people, 60" . . . . .	Set	\$65.00
7106DB	Dark Blue front lift latch seat belts, 2 people, 74" . . . . .	Set	\$84.00
7107DB	Dark Blue rear lift latch seat belts, 2 people, 60" . . . . .	Set	\$77.00
7107WT	White rear lift latch seat belts, 2 people, 60" . . . . .	Set	\$65.00
7106LG	Light Grey front lift latch seat belts, 2 people, 74" . . . . .	Set	\$84.00
7107LG	Light Grey rear lift latch seat belts, 2 people, 60" . . . . .	Set	\$77.00
7106 LT	Light Tan front lift latch seat belts, 2 people, 74" . . . . .	Set	\$69.00
7107LT	Light tan front lift latch seat belts , 2 people, 60" . . . . .	Set	\$77.00
7106DT	Dark Tan front lift latch seat belts, 2 people, 74" . . . . .	Set	\$69.00
7107DT	Dark Tan rear lift latch seat belts, 2 people, 60" . . . . .	Set	\$65.00
7106LB	Light Blue front lift latch seat belts, 2 people, 74" . . . . .	Set	\$69.00
7107LB	Light Blue rear lift latch seat belts, 2 people, 60" . . . . .	Set	\$65.00

Go to Show-Cars.com for updates and many more pictures

# 507-233-1958 Fax 507-354-1959 1-24 Catalog 139

## AFTER-MARKET ACCESSORIES... 21.800

8182	Universal flat glass power window kit less wires and switches ..... Kit	\$225.00
8183	Universal flat glass power window kit with wires and switches ..... Kit	\$299.00
8184	Power trunk lift kit w/billet rod ..... Kit	\$199.00
8185	Key less entry, doors and trunk..... Kit	\$99.00
8186	Key less entry, doors, trunk and windows .... Kit	\$125.00
8187	Key less entry, doors, trunk, windows and remote start. ..... Kit	\$99.00
8188	Key less entry, 2 doors 4 windows ..... Kit	\$175.00
8189	Key less entry, 10 way system ..... Kit	\$199.00
8190	Key less entry, pre-built board (plug and play sytem) ..... Kit	\$249.00

## FOUR WAY FLASHERS..... 21.810

8680	59-60 Four way flasher for full size Chevrolet.Ea	\$218.00
8681	61-62 Four way flasher for full size Chevrolet. Ea	\$218.00
8682	63 Four way flasher for full size Chevrolet. . . Ea	\$218.00
8683	64 Four way flasher for full size Chevrolet. . . Ea	\$218.00
8684	65 Four way flasher for full size Chevrolet. . . Ea	\$218.00
8685	66 Four way flasher for full size Chevrolet. . . Ea	\$218.00

## Convertible . . . . 22

5965	59-60 Convertible well liner..... Ea	\$59.00
3523	58-64 Convertible top motor grommet . . . . . Ea	\$5.00
1160	60 up Convertible top boot storage bag . . . . . Ea	\$7.43
3522	61-62 Convertible drain tubes..... Pr	\$28.00
4887	61-64 Convertible floor drain tubes . . . . . Ea	\$14.35
5312	61-64 Convertible top handle . . . . . Pr	\$49.00
5362	61-64 Convertible top latch, passenger. . . . . Ea	\$236.95
5363	61-64 Convertible top latch, driver. . . . . Ea	\$237.95
5583	61-64 Convertible top latch bushing. . . . . Ea	\$27.95
8549	61-64 Convertible visor brackets, imported . . . Pr	\$173.00
8550	61-64 Convertible top latch handle, imported. ..... Pr	\$38.50
8551	61-64 Convertible latch and and handle, imported. ..... Pr	\$213.50
5813	61-64 Convertible sun visor bracket mounting screw, chrome ..... Ea	\$2.00
3607	58 up Convertible top boot belt molding snaps, install with a pop rivet tool. . . . . Ea	\$1.65
8270	63-64 Convertible top cylinder. (Import) . . . . . Ea	\$114.95
8271	65-70 Convertible top cylinder. (Import) . . . . . Ea	\$114.95
8362	58-61 Convertible top hydraulic hose set, correct material Set \$63.00	
8363	62-70 Convertible top hydraulic hose set, correct material ..... Set	\$63.00
8373	58-64 Convertible quarter glass channel relining has correct fluted metal backing . . . . . Ea	\$34.99

**All prices subject to change without notice. Any installed part is not returnable**

## Literature . . . . . 23

### SHOP MANUALS . . . . . 23.050

The 59-60 Shop Manual is a supplement to the 58 Shop Manual. The 62-64 Shop Manuals are supplements to the 61 manual. To get the full benefit of the supplements the appropriate manual (58 or 61) should also be purchased.

2183	58 Shop manual. . . . .	Ea	\$37.40
2184	59-60 (supplement to 58) . . . . .	Ea	\$37.50
2185	61 Shop manual. . . . .	Ea	\$38.50
2186	62 (supplement to 61) . . . . .	Ea	\$30.00
2187	63 (supplement to 61) . . . . .	Ea	\$30.00
2188	64 (supplement to 61) . . . . .	Ea	\$34.50

### ASSEMBLY MANUALS . . . . . 23.440

2220	58 Assembly manual. . . . .	Ea	\$25.95
4291	59 Assembly manual . . . . .	Ea	\$25.95
4766	60 Assembly manual . . . . .	Ea	\$25.95
4767	61 Assembly manual . . . . .	Ea	\$25.95
3966	62 Assembly manual . . . . .	Ea	\$25.95
4203	63 Assembly manual . . . . .	Ea	\$25.95
2226	64 Assembly manual . . . . .	Ea	\$25.95
4768	65 Assembly manual . . . . .	Ea	\$25.95

### CHEVROLET BOOKS (MISC) . . . . . 23.530

6010	348/409 rebuild manual - info reprinted from GM shop manual . . . . .	Ea	\$8.00
4290	348/409 Book of Numbers . . . . .	Ea	\$7.95

## Edelbrock . . . . . 24

### CARBURETORS. . . . . 24.000

Note: Edelbrock carburetors and not modified for 348/409 original type fuel lines and linkage. To add modifications, add 1 #7579 for each carburetor ordered.

There a no returns on carburetors, they will be repaired or replaced at manufacturers discretion. Absolutely no returns!

7872	Edelbrock 94 carburetor 2 barrel, 3 bolt flange (primary) . . . . .	Ea	\$448.95
7873	Edelbrock 94 carburetor 2 barrel, 3 bolt flange (secondary) . . . . .	Ea	\$404.95
3913	Edelbrock AFB 500 CFM also fits Offenhauser intakes, one front & one rear with manual choke . . . . .	Set	\$845.90
3913E	Edelbrock AFB 500 CFM also fits Offenhauser intakes, 1 manual choke, 1 Electric choke . . . . .	Set	\$901.90
7103	Edelbrock AFB 500 CFM with electric choke. . . . .	Ea	\$493.95
7102	Edelbrock AFB 500 CFM with manual choke. . . . .	Ea	\$356.05
6071	Edelbrock AFB 600 CFM with manual choke. . . . .	Ea	\$382.95
6240	Edelbrock AFB 600 CFM with electric choke . . . . .	Ea	\$428.95
7356	Edelbrock thunder series500 CFM, square flange electric choke, calibrated for 2x4 applications . . . . .	Ea	\$492.95
7628	Edelbrock 1802 Thunder series 500 CFM, man choke calibrated for 1x4 operation . . . . .	Ea	\$459.95
7357	Edelbrock thunder series500 CFM, square flange manual choke, calibrated for 2x4 applications . . . . .	Ea	\$452.95
7369	Edelbrock thunder series500 CFM, square flange electric choke, calibrated for 2x4 applications Endura Shine . . . . .	Ea	\$629.95
7368	Edelbrock thunder series500 CFM, square flange manual choke, calibrated for 2x4 applications, Endura Shine . . . . .	Ea	\$515.49
9183	Edelbrock AVS 2 500 CFM Satin Finish . . . . .	Ea	\$502.95
7372	Edelbrock Thunder series 650 CFM, man. choke . . . . .	Ea	\$407.95
7373	Edelbrock Thunder series 650 CFM, elec. choke . . . . .	Ea	\$473.95
7460	Edelbrock 750 CFM, square flange man choke . . . . .	Ea	\$451.95
7461	Edelbrock 750 CFM, square flange, electric choke . . . . .	Ea	\$494.95
8813	Small block Edelbrock tri power Carb & Intake kit (Includes carbs, intake, fuel lines, fuel filter, linkage and air cleaners. . . . .	Kit	\$1810.00

Go to Show-Cars.com for updates and many more pictures

# 507-233-1958 Fax 507-354-1959 1-24 Catalog 141

## CARBURETOR PARTS . . . . . 24.001

- 7627 Edelbrock electric choke conversion for performance series carburetor #1404, 1405, 1407, 1412, 1478 . . . . . Ea \$92.95
- 7261 AFB 1x4 Phenolic carb spacer 1/2" . . . . . Ea \$44.95
- 7375 Edelbrock 2x4 progressive linkage . . . . . Set \$89.95
- 8654 3 x 2 linkage for Edelbrock 94 Carbs . . . . . Set \$187.95
- 8655 6 x 2 linkage for Edelbrock 94 Carbs . . . . . Set \$423.95
  
- 7580 Edelbrock carb re-build kit, parts and gaskets for square bore carbs . . . . . Kit \$55.95
- 8332 Edelbrock needle and jet kit fits carb numbers 1403, 1404, 1801, 1802, 1803, 1804. . . . . Kit \$85.95
- 8333 Edelbrock needle and jet kit fits carb number 1405 . . . . . Kit \$88.95
- 8334 Edelbrock needle and jet kit fits carb number 1406 . . . . . Kit \$62.95
- 8335 Edelbrock needle and jet kit fits carb numbers 1407, 1410, 1412, 1413. . . . . Kit \$89.95
- 8336 Edelbrock needle and jet kit fits carb number 1411 . . . . . Kit \$73.95
- 8337 Edelbrock needle and jet kit fits carb numbers 1805 & 1806 . . . . . Kit \$82.95

## FUEL . . . . . 24.002

- 7376 Edelbrock 2x4 fuel line. . . . . Set \$89.95
- 7875 348/409 Edelbrock high performance street fuel pump . . . . . Ea \$168.95
- 8314 3/8 Male to 1/4 female pipe thread adapter. Use with SC #7875 Edelbrock carb to carb fuel line. . . . . Ea \$5.00
- 8315 61-65 Glass fuel bowl adapter sue with SC #7376 Edelbrock carb to carb fuel line. . . . . Ea \$15.00

## AIR CLEANERS . . . . . 24.010

*6-7/16 center to center on carbs. Can be used on original intakes with Edelbrock carbs and on original intakes and carbs with #4274A adapter.*

- 7358 2x4 Edelbrock classic series finned aluminum polished air cleaner . . . . . Ea \$311.95
- 7359 2x4 Edelbrock classic series finned aluminum, black . . . . . Ea \$235.95



Show Cars Part #6702

- 6702 Edelbrock oval chromed 2x4 air cleaner. Fits new AFB's on original intake. Also fits original AFB's on GM intake by using 4274A adapters. (13.5"x7"x3.5") . . . . . Ea \$111.95
- 6701 Edelbrock oval finned aluminum 2x4 air cleaner. Fits new AFB's on original intake. Also fits original AFB's on GM intake by using 4274A adapters. (13.5"x7"x3.5") . . . . . Ea 119.97
- 8089 Edelbrock Pro Flo air cleaner fits 5-1/8 carb 3" high . . . . . Ea \$31.95
- 8097 Edelbrock Classic series polished oval air cleaner 1x4 fits 5-1/8" carb opening, 2.4" high . . . . . Ea \$338.95
- 8098 Edelbrock Classic series black oval air cleaner 1x4 fits 5-1/8" carb opening 2.4: high . . . . . Ea \$288.95
- 8099 Edelbrock Classic series polished round air cleaner 1x4 5-1/8" high . . . . . Ea \$325.95
- 8100 Edelbrock Classic series round air cleaner with name 1x4 5-1/8" 3" high . . . . . Ea \$257.95
- 7625 Edelbrock 1x4 air cleaner. Pro Flo oval chrome signature series. Fits new AFB (Edelbrock) carburetors. Will fit original AFB using #4274A adapters. . . . . Ea \$121.95

## AIR CLEANER PARTS . . . . . 24.011

- 6703 Edelbrock 3/4 air cleaner riser for 5" carb . . . . . Ea \$12.95

## AIR FILTERS . . . . . 24.012

- 8090 Edelbrock pro-flo 1000 series air filter element for 8089 . . . . . Ea \$16.95
- 8091 Edelbrock air elite filter element for 6699 . . . . . Ea \$22.95
- 8092 Edelbrock air elite filter element for 6700 . . . . . Ea \$21.95
- 8093 Edelbrock air elite filter element for 6701, 6702, 7625 . . . . . Ea \$55.95
- 8094 Edelbrock air elite filter element for 7358, 7359 . . . . . Ea \$55.00
- 8095 Edelbrock elite air filter element for 8097, 8098 . . . . . Ea \$55.00
- 8096 Edelbrock elite air filter element for 8099, 8100 . . . . . Ea \$57.00

## VALVE COVERS-CUSTOM . . . . . 24.020

- 8802 Edelbrock Classic series 348/409 valve cover, satin . . . . . Pr \$287.95
- 7360 Edelbrock Classic series 348/409 valve cover, polished . . . . . Pr \$600.95
- 7361 Edelbrock Classic series 348-408 valve cover, black . . . . . Pr \$365.95
- 7888 348/409 Valve cover gasket, Edelbrock (core reinforced 1007 composite). . . . . Pr \$69.95

## OIL BREATHER . . . . . 24.021

- 8101 Edelbrock elite series bolt in the oil fill hole breather . . . . . Ea \$38.95
- 7371 58-65 Chrome Edelbrock oil fill tube with breather, classic series . . . . . Ea \$26.95

## INTAKE MANIFOLDS . . . . . 24.030

Carb layout is 6-7/16 center to center.

**All prices subject to change without notice. Any installed part is not returnable**

# Page 142 Show-Cars.com 1-24 Catalog

7364	Edelbrock 348/409 2x4 intake large port . . . . . Ea	\$679.95
7514	Edelbrock 348/409 small port 1x4 aluminum intake. ..... Ea	\$566.95
7515	Edelbrock 348/409 large port 1x4 aluminum intake ..... Ea	\$589.95
7686	Edelbrock small block 3x2 intake . . . . . Ea	\$473.95
8659	Edelbrock small block 3x2 intake non EGR ( for Edelbrock 94 3 bolt carbs. . . . . Ea	\$514.95

## HEADS . . . . . 24.040

7366	Edelbrock 348/409 large port head, bare . . . . . Ea	\$952.50
7367	61-65 Edelbrock head 348/409 "W" series big block engines. 220CC intake / 115CC exhaust, complete, use with valve lift 600 and under. . . . . Ea	\$1,504.50
8798	Edelbrock 348/409 large port head, finished for hydraulic or solid roller cams . . . . . Ea	\$1,586.50
7394S	Valve springs for Edelbrock 60819 heads. (our 7367) ..... Set	\$18.00
7884	Edelbrock 348/409 head gasket . . . . . Pr	\$132.95
7391	Edelbrock head bolts. . . . . Set	\$249.95
7394	Edelbrock valve springs. This is for Edelbrock heads, will not work on GM heads. OD-1.550, ID 1.125, single spring with damper. Installed height 1.885 and 130 lbs and a cam lift to .520 at 320 lbs, 3560 at 340 lbs, 600 at 360 lbs ..... Set	\$141.95
8799	Edelbrock valve spring for use with Edelbrock heads when using roller cams. . . . . Set	\$198.50
7398	Edelbrock valve spring seat locators for 409 aluminum heads ..... Set	\$107.95
7396	Edelbrock intake valve for aluminum head #EDL-6809 11/32 x 5.110 stem 2.250 head . . . . . Ea	\$24.95
7397	Edelbrock exhaust valve for aluminum head #EDL-6809 11/32 x 5.110 stem 1.750 head . . . . . Ea	\$24.95
7399	Edelbrock valve locks 11/32" stem. . . . . Set	\$65.95
7763	348/409 Edelbrock roller rocker 7/16, 1.70 ratio ..... Ea	\$46.95
7400	348/409 Edelbrock push rod guide plate for aluminum heads . . . . . Set	\$95.95
7764	348/409 Edelbrock Red Roller rocker 7/16, 1.71 ratio ..... Set	\$701.95
	348/409 Edelbrock hydraulic roller lifters . . . . . Set	\$661.63
8800	348/409 Edelbrock push rods for Edelbrock heads and full roller rockers. . . . . Set	\$289.95
7401	348/409 Edelbrock push rods for aluminum heads ..... Set	\$266.95
7395	Edelbrock valve spring retainer for 409 aluminum heads ..... Set	\$107.95
7482	348/409 Edelbrock hydraulic roller lifters . . . . . Set	\$959.95

## MISCELLANEOUS . . . . . 24.060

7376	Edelbrock 2x4 fuel line. . . . . Set	\$80.95
7390	Edelbrock Racing fender cover. . . . . Ea	\$23.95
7391	Edelbrock head bolts. . . . . Set	\$249.95

7897	Edelbrock "Gasegacinch" gasget sealer for manifolds, water pump oil pan, valve covers, etc. 4 oz can . . . . . Ea	\$13.95
------	--	---------

## GASKET . . . . . 24.061

7624	348/409 Edelbrock 3" header donut . . . . . Pr	\$28.99
7883	348/40P Edelbrock top end large port gasket set, includes: head, intake, exhaust and valve cover gasket plus intake exhaust restrictor. . . . . Set	\$199.95

## WATER PUMP . . . . . 24.070

7199	348/409 Edelbrock alluminum water pump . . . Ea	\$432.95
------	---	----------

## PRODUCTS MANUFACTURED BY OTH- ERS FOR USE WITH EDELBROCK PROD- UCTS. . . . . 24.080

7411	Valve springs for Edelbrock heads-OD 1.510, ID 1.110 Single spring w/damper. Seat 100/1.880, 275/1.380 coil bind=1.300 Max lift .520 . . . . . Set	\$129.00
7412	Valve springs for Edelbrock heads-OD 1.550, ID 1.130 single spring w/damper. Seat 135/1.88, 350/1.250 coil bind=1.150 Max lift .670 . . . . . Set	131.00
7413	Valve spring for Edelbrock heads-OD 1.450, ID .750. Dual spring w/damper. Seat 175/1.950, 440/1.250, coil bind 1.150 Max lift .740 . . . . . Set	\$165.00
7402	348/409 spring locators for Edelbrock heads . . Set	\$64.95
7414	Valve spring for Edelbrock heads. OD 1.540, ID .730 Dual spring w/ damper. Seat 200/1.950, 600/1.200. Coil bind 1.150 Max lift .730 . . . . . Set	\$165.00
7407	Umbrella valve seals for 11/32 valves . . . . . Set	\$9.90
7408	Viton P/S valve seals for 11/32 valves . . . . . Set	\$29.95
7409	11/32 Brass valve guide, intake . . . . . Ea	\$16.00
7410	11/32 Brass valve guide, exhaust . . . . . Ea	\$16.00
7415	Precision intake push rod for Edelbrock heads with flat tappet cams and solid roller cams, one piece .080 wall, 8.65 Long ..... Ea	\$10.00
7416	Precision exhaust push rod for Edelbrock heads with flat tap- pet cams and solid roller cams one piece .080 wall 9.00 long ..... Ea	\$10.00
7417	348/409SS Polished intake valve 11/32 x 5.110 stem 2.190 head for Edelbrock heads or GM heads with 11/32 guides ..... Ea	\$19.50
7418	348/409 SS Polished exhaust valve 11/32 x 5.110 stem 1.720 head fir Edelbrock heads or GM heads with 11/32 guides ..... Ea	\$14.00
7419	348/409 SS Polished valve set 11/32 x 5.110 stem 2.190 intake, 1.720 exhaust for Edelbrock heads or GM heads with 11/32 guides . . . . . Set	\$169.00

Go to Show-Cars.com for updates and many more pictures

# 507-233-1958 Fax 507-354-1959 1-24 Catalog 143

## Bolts, Clips &

## Screws . . . . . 25

Unless noted - All bolt kits are standard hardware. Bolts, clips and screws are not returnable.

### A ARM

6639	A arm bolts . . . . .	Set	\$6.59
4238	A arm cupped washers and bolts. . . . .	Set	\$27.50

### AIR CONDITIONING CABLE CLAMPS

### SCREWS

3187	58-64 Cable clamp screw . . . . .	Ea	\$2.75
------	-----------------------------------	----	--------

### ALTERNATOR BOLT

3335	62-65 Alternator bracket bolt kit. . . . .	Kit	\$11.40
------	--	-----	---------

### BELL HOUSING HARDWARE

3241	58-64 Bell housing bolts . . . . .	Kitt	\$16.64
3241A	58-64 Bell housing to block dowel pins . . . . .	Set(2)	\$17.50
3242	58-64 4-speed transmission to bell housing bolts . . . . .	Set(8)	\$5.15
8338	58-59 Original bell housing bolts . . . . .	Set	\$14.00
8339	60-62 Original bell housing bolts . . . . .	Set	\$14.00
7355	64 Up bell housing bolts . . . . .	Kit	\$15.95

### BODY MOUNT WASHERS

4235	58-64 Body mount washers use with rubber mount hardtop (8) . . . . .	Set	\$13.20
4236	58-64 Body mount washers use with rubber mount convertible (12) . . . . .	Set	\$19.80

### BODY BOLT TO FRAME

3247	59-64 Sedan & HT body bolt to frame kit 20 pieces . . . . .	Kit	\$31.29
3248	59-64 Convertible kit 28 pieces . . . . .	Kit	\$28.38
4878	58 Body bolt to frame kit hard top 20 pieces . . . . .	Kit	\$21.54
4879	58 Body bolt to frame kit for convertible 28 pieces . . . . .	Kit	\$31.22

### BODY MOUNT SHIMS

1064	58-72 Body to frame shims for rubber mount, set of 10 . . . . .	Set	\$14.52
1064A	58-72 Body to frame shims without rubber mount, set of 1 . . . . .	Set	\$17.60

### BODY MOUNT CAGE NUT

5441	59-72 Body mount cage nut. . . . .	Ea	\$16.00
------	------------------------------------	----	---------

### BODY SHIMS

5680	58-Up Body shims, set of 12. . . . .	Set	\$9.63
------	--------------------------------------	-----	--------

### BRAKE CLIPS

4254	58-64 Parking brake cable clips . . . . .	Set	\$19.95
4254A	58-Up Brake hose to frame clips . . . . .	Ea	\$3.33
5436	55-64 front brake clips, line to frame . . . . .	Ea	\$4.00

### BUMPER ADJUSTMENT WASHERS

4225	58-64 Bumper adjustment washers - set of 4 . . . . .	Set	\$28.00
------	--	-----	---------

### BUMPER BOLTS

3319	58-up Bumper bolts with nuts and lock washers . . . . .	Set of 24 chrome capped . . . . .	Set	\$16.00
------	---	-----------------------------------	-----	---------

### BUMPER LICENSE PANEL RETAINER CLIPS

2070	58-64 License panel & grill clip Kit, 10 pieces . . . . .	Kit	\$11.44
------	---	-----	---------

### CAM BOLTS

3238A	55-72 Cam bolts . . . . .	Ea	\$9.85
-------	---------------------------	----	--------

### CARBURETOR HARDWARE

3229	58-64 Carburetor studs & nuts for 1 carburetor . . . . .	Set	\$16.75
6742	58-65 Long carb studs, nuts & washers for use with adapter . . . . .	Set	\$16.75
3333	58-64 Carburetor detail screw Kit. . . . .		\$15.68
3106	Hollow carburetor stud with nut for vacuum lines . . . . .	Ea	\$15.68

### CLUTCH DUST COVER BOLTS

3239	58-64 Clutch dust cover bolts . . . . .	Set(5)	\$3.03
------	---	--------	--------

### COIL BRACKET HARDWARE

3309	58-64 Coil bracket bolts 2 piece . . . . .	Set	\$1.82
3310	58-61 Coil bracket screws for firewall mount 2 pieces . . . . .		\$1.82

### CONTROL ARM

7832	58 front lower rear and 59-64 Control arm bolt, nut and lock washer set (Grade 5, 5/8 x 4 bolt) . . . . .	Ea	\$14.00
7833	58 front lower rear and 59-64 Control arm bolt, nut and lock washer set stainless steel (Grade 5, 5/8x4 bolt) . . . . .	Ea	\$15.50

### CONVERTIBLE BOOT SNAPS

3607	58 up Convertible top boot belt molding snaps, install with a pop rivet tool. . . . .	Ea	\$1.65
------	---	----	--------

### COWL

6816	61-64 Cowl vent screws, 6 pcs . . . . .	Set	\$2.75
------	---	-----	--------

### CRANK BOLTS

3237	58-64 Pulley to balancer bolt . . . . .	Set(6)	\$3.58
3238	Harmonic balancer to crank bolt, washer, and lock washer (3pc) . . . . .	Set	\$15.68

### DISTRIBUTOR HARDWARE

6215	58-64 Distributor intake shim .001 . . . . .	Ea	\$4.40
6216	58-64 Distributor intake shim .002 . . . . .	Ea	\$4.40
6217	58-64 Distributor intake shim .003 . . . . .	Ea	\$4.40
6218	58-64 Distributor intake shim .004 . . . . .	Ea	\$4.40
6220	58-64 Distributor intake shim .006 . . . . .	Ea	\$4.40

**All prices subject to change without notice. Any installed part is not returnable**

# Page 144 Show-Cars.com 1-24 Catalog

6221	58-64 Distributor intake shim .007	Ea	\$4.40
6222	58-64 Distributor intake shim .008	Ea	\$4.40
6223	58-64 Distributor intake shim .010	Ea	\$4.40
6224	58-64 Distributor intake shim .012	Ea	\$4.40
6225	58-64 Distributor intake shim .015	Ea	\$4.40
6226	58-64 Distributor intake shim .020	Ea	\$4.40
6227	58-64 Distributor intake shim .025	Ea	\$4.40
6228	58-64 Distributor intake shim .031	Ea	\$4.40
6229	58-64 Distributor intake shim .047	Ea	\$4.40

## DOOR SILL PLATE SCREWS

5382	55-70 Door sill plate screws	Ea	\$2.75
------	------------------------------	----	--------

## DRIVE SHAFT HANGER BOLTS

5936	58 Up center support bearing bolts	Set	\$9.08
------	------------------------------------	-----	--------

## EXHAUST MANIFOLD BOLTS

6185	1-1/4" bolt	Ea	\$1.00
6186	1-1/2" bolt	Ea	\$1.00
6187	1-3/4" bolt	Ea	\$1.00
6188	2" bolt	Ea	\$1.00
6189	2-1/4" bolt	Ea	\$1.00
6190	2-1/2" bolt	Ea	\$1.00
6191	2-3/4" bolt	Ea	\$1.00
6192	3" bolt	Ea	\$1.00
6855	409 Exhaust bolt kit for our 3251 high performance manifolds only	Set	\$12.00

## EXHAUST MANIFOLD BOLTS WITH GM

### HEAD MARKINGS

7490	1 1/8" Stainless Steel bolt	Ea	\$8.00
6193	1 1/4" Stainless Steel bolt	Ea	\$4.00
7491	1 3/8" Stainless Steel bolt	Ea	\$8.00
6194	1 1/2" Stainless Steel bolt	Ea	\$4.00
7492	1 5/8" Stainless steel bolt	Ea	\$8.00
6195	1 3/4" Stainless Steel bolt	Ea	\$4.00
7493	1 7/8" Stainless Steel bolt	Ea	\$8.00
6196	2" Stainless Steel bolt	Ea	\$4.00
7494	2 1/8" Stainless Steel bolt	Ea	\$8.00
6197	2 1/4" Stainless Steel bolt	Ea	\$4.00
7495	2 3/8" Stainless Steel bolt	Ea	\$8.00
6198	2 1/2" Stainless Steel bolt	Ea	\$4.00
7496	2 5/8" Stainless Steel bolt	Ea	\$8.00
6199	2 3/4" Stainless Steel bolt	Ea	\$4.00
7497	2 7/8" Stainless Steel bolt	Ea	\$8.00
6200	3" Stainless Steel bolt	Ea	\$4.00
7498	3 1/8" Stainless Steel bolt	Ea	\$8.00
6695	3-1/4" Stainless Steel Bolt	Ea	\$4.00
7499	3 3/8" Stainless Steel bolt	Ea	\$8.00

6696	3 1/2" Stainless steel bolt	Ea	\$4.00
7500	3 5/8" Stainless Steel bolt	Ea	\$8.00
7501	3 7/8" Stainless Steel bolt	Ea	\$8.00
6030	Exhaust bolt washers (14)	Set	\$18.00
7718	Exhaust bolt washers, stainless steel (14)	Set	\$23.50
6854	409 Stainless Steel exhaust bolt kit for our 3251 high performance manifolds only	Set	\$49.00

## EXHAUST

6579	348/409 Header bolts	Set	\$10.00
4728	58-64 Exhaust hanger bolts	Ea	\$1.54

## EXTERIOR SCREW KIT

8418	62 Exterior Screw kit	Kit	\$16.50
8419	63 Exterior Screw kit	Kit	\$19.50
8420	64 Exterior Screw kit	Kit	\$16.00
8421	65 Exterior Screw kit	Kit	\$10.00

## FAN BLADE BOLTS

3234	58-65 Fan blade bolts for fans with spacers	Set	\$8.00
3234A	58-65 Bolts and nuts for fans with clutch	Set	\$8.00

## FAN SHROUD BOLTS

5356	58-68 Fan shroud and radiator mounting bolts 6 pcs	Set	\$12.05
------	--	-----	---------

## FENDER BOLTS

1137	58 Up Fender bolt, 5/16	Ea	\$ .79
1137A	58 Up Fender J nut, 5/16	Ea	\$1.25

## FIREWALL PAD FASTENERS

1124	57-62 Firewall pad fasteners, 7 pcs	Set	\$7.15
4775	59-72 Fastener tool	Ea	\$12.05

## FLYWHEEL & FLEXPATE

2011	58-64 Flywheel bolts for std trans	Set	\$32.50
4847	58-64 Flexplate bolts for automatic	Set	\$28.00
6917	348/409 Torque converter bolts	Kit	\$38.95

## FOUR SPEED BACKUP SCREWS

1183	58-64 Bracket screws	Set	\$1.10
------	----------------------	-----	--------

## FUEL PUMP HARDWARE

1159	58-64 Fuel pump bolts and washers for AC Delco fuel pumps only	Set	\$13.65
5725	348/409 fuel pump mounting plate bolts	Pr	\$4.24
5961	58-65 Fuel pump block off plate bolts, stainless steel	Set	\$10.00

## GAS HOSE CLAMPS

1021	3/8" Green spring clamp	Ea	\$2.42
1021A	5/16" Olive drab spring clamp	Ea	\$2.42
1021B	1/4" Black spring clamp	Ea	\$2.42
1015	63-64 Return line hose clamps, stainless steel	Set	\$28.00

## GAS LINE RETAINERS

Go to Show-Cars.com for updates and many more pictures



# 507-233-1958 Fax 507-354-1959 1-24 Catalog 145

1027A	3/8" Gas line to frame retainer and bolt stainless steel, 6 pcs	Set	\$16.50
4728	Gas line retainer bolts	Ea	\$1.54

## GENERATOR

3244	58-62 Generator bolt kit 21 pcs	Kit	\$5.78
3907	58-62 Generator field coil screw	Ea	\$5.00

## HARMONIC BALANCER

3238	Harmonic balancer to crank bolt, washer and lock washer, 3peices	Set	\$21.00
9062	348/409 Harmonic balancer bolt kit for use with 4" stroker crank	Kit	\$21.00

## HEAD BOLTS

3290	348/409 long ( used)	Ea	\$8.00
3291	348/409 short (used)	Ea	\$8.00
3290A	283/327 long (used)	Ea	\$5.00
3292	348/409 ARP new 20 long 16 short	Kit	\$135.00
7755	348/409 Head studs	Kit	\$259.50
7391	Edelbrock head bolts	Set	\$186.93
8347	348/409 Heat treated head bolt washers 1/2" ID, 5/8" OD, 20 pcs	Set	\$21.50

## HEADLAMP BEZEL SCREWS

3621	58Headlamp bezel screws	Set	\$4.35
3622	59Headlamp bezel screws	Set	\$4.35
3623	60Headlamp bezel screws	Set	\$4.35
3624	61 Headlamp bezel screws	Set	\$4.35
3625	62 Headlamp bezel screws	Set	\$4.35
3626	63 Headlamp bezel screws	Set	\$4.35
3627	64 Headlamp bezel screws	Set	\$4.35
6509	64 Headlight bezel retainer 4pcs	Set	\$4.75

## HOOD ADJUSTMENT SCREWS

3318	58-64 Hood adjustment screws	Kit	\$9.35
------	------------------------------	-----	--------

## HOOD LIP MOLDING STUD

5582	63 Hood lip molding stud	Ea	\$3.00
------	--------------------------	----	--------

## INTAKE

1100	348/409 Intake bolts with correct "AP" head markings for engines with cast iron intakes	Set	\$29.90
1101	348/409 Hi perf with flanged head, standard hardware, black	Set	\$20.57
1101A	348/409 Hi perf, correct "FP" head markings, flanged head zinc plated	Set	\$33.83
7543	348/409 Manly intake bolts for aluminum manifolds	Set	\$25.00
6603	348/409 6x2 intake bolts	Set	\$24.70
6079	348/409 Intake oil pan deflector rivits	Set	\$5.50

## INTERIOR SCREW KITS

3311	58 Interior screws	Set	\$42.85
3311C	58 Interior screws Convertible	Set	\$31.85
3312	59 Interior screws	Set	\$38.45

3313	60 Interior screws	Set	\$42.85
3313C	60 Interior screws Convertible	Set	\$35.00
3314	61 Interior screws	Set	\$35.00
3315	62 Interior screws	Set	\$35.00
3315C	62 Interior screws Convertible	Set	\$35.00
3316	63 Interior screws	Set	\$35.00
3316C	63 Interior screws Convertible	Set	\$27.00
3317	64 Interior screws	Set	\$35.00
3317C	64 Interior screws Convertible	Set	\$35.00

## IDLER PULLEY

6230	59-62 Idler pulley bolt kit	Kit	\$6.60
------	-----------------------------	-----	--------

## LICENSE PLATE

2005	58-63 Fastener kit	Kit	\$9.05
4731	64 Fastener kit	Kit	\$9.08
3074	64 Stainless Steel license frame	Ea	\$49.99

## MAIN BOLTS

9176	348/409 ARP Main bolts	Set	\$69.95
8562	348/409 Used main bolt 1/2-13x3-1/8	Ea	\$5.00
6270	348/409 ARP main stud kit	Set	\$93.50
6271	348/409 ARP main stud kit for windage tray	Set	\$135.00
8834	348/409 4 Bolt main bolt stud kit without windage tray	Set	\$155.60
8835	348/409 4 Bolt main stud kit for use with windage tray	Set	\$172.50
9194	Big Block Main bolts (not 348/409)	Set	\$69.95

## MASTER CYLINDER

3215	58-64 Master cylinder nuts and washer 4 pcs	Set	\$1.65
------	---	-----	--------

## MOTOR MOUNT

3663	58-64 Complete motor mount bolt kit for frame & block, standard hardware	Kit	\$21.00
3663A	58-65 Motor mount bolt kit for block only	Kit	\$4.95

## OIL PAN

3243	348/409 Oil pan bolts 20 pcs	Kit	\$23.95
------	------------------------------	-----	---------

## OIL PUMP

6272	Oil pump stud kit	Kit	\$10.75
6718	Oil pump bolt	Ea	\$10.00

## PARKING BRAKE

5626	58-64 Parking brake cable adjusting bolt	Ea	\$42.25
------	--	----	---------

## POWER STEERING

6093	348/409 Power steer pump bracket bolts	Kit	\$9.50
8378	58-64 Power steering pump stud and bolts	Kit	\$10.00

## RADIATOR

5356	59-63 348/409 Radiator mounting bolts and washers	Kit	\$12.05
6246	58-64 Radiator mounting bolts, except 59-63 with 348/409	Kit	\$5.45
6316	58 Radiator support mount kit	Kit	\$20.00

**All prices subject to change without notice. Any installed part is not returnable**

# Page 146 Show-Cars.com 1-24 Catalog

6317	59 Radiator support mount kit . . . . .	Kit	\$14.00
6318	60 Radiator support mount kit . . . . .	Kit	\$14.00
5679	61-64 Radiator support bolt kit, 10 pieces . . . .	Set	\$12.05
3035	Radiator fan shroud spacers 6 pcs . . . . .	Set	\$12.50

## RETURN LINE CLIP ON VALVE COVER

1016	63-64 409 Return line clip on valve cover . . . .	Ea	\$5.00
------	---	----	--------

## ROD BOLTS

3288	58-64 348/409 3/8" . . . . .	Ea	\$4.13
3289	348/409 rod bolts & nuts 3/8" ARP bolts 16 piece . . . . .	Set	\$87.00
8542	348/409 Wave lock rod bolts. . . . .	Set	\$99.95

## SEAT MOUNTING NUT

5703	58-64 Seat to floor nut with fixed washer . . . .	Ea	\$1.65
------	---	----	--------

## STARTER BOLTS

4774	58-63 348-409 Starter Bolt Kit-Bolts to Bell Housing (6 Pieces) . . . . .	Kit	\$14.75
3217	63 Late and 64-65 348-409 Starter Bolt Kit-Bolts to Block . . . . .	Kit	\$16.23
2012	63-64 (small block). . . . .	Kit	\$16.50
6245	Starter shims, .020, .040, .060. . . . .	Set	\$5.45

## TACH SENDING DETAIL SCREW KIT

3250	61-62 Tach sending detail screw kit. . . . .		\$10.95
------	--	--	---------

## TAILLIGHT SCREWS

5288	Taillight lens screws stainless steel. . . . .	Each	\$1.21
------	--	------	--------

## THERMOSTAT HOUSING BOLTS

3228	58-65 Thermostat housing bolts . . . . .	Kit	\$4.54
------	--	-----	--------

## TIMING COVER BOLTS

3236	58-62 348-409 Timing cover pan head screws and washers, 20 pc slotted head. . . . .	Set	\$8.00
3235	62-65 Timing cover bolts, 10 pcs . . . . .	Set	\$8.00

## TRANSMISSION MOUNTING BOLTS

3226	58-64 Transmission mount bolts (16). . . . .	Set	\$8.17
------	--	-----	--------

## TRANSMISSION TUNNEL EXTENSION SCREWS

5937	60-63 Trans tunnel extension screws 10x1x14 . . . . .	Set	\$4.84
------	---	-----	--------

## U JOINT BOLTS

3221	58-64 Rear end U joint bolt & nuts, 2 required . . . . .	Each	\$6.25
------	--	------	--------

## VALVE COVER BOLTS & WASHERS

1149	64-up 283/327 16 pieces . . . . .	Kit	\$9.89
1148	64-65 409 24 pieces . . . . .	Kit	\$16.40

## VALVE COVER SCREWS & WASHERS

1146	283/327 Valve cover screws and bat wing washers 16 pieces . . . . .		
------	---	--	--

1147	348/409 Valve cover screws and bat wing washers 24 pieces . . . . .	Kit	\$15.29
	. . . . .	Kit	\$17.29
9008	348/409 Valve cover screws 3/4 inch 12 pieces . . . . .	Kit	\$7.75
9009	348/409 Valve cover screws 1 1/4 inch 12 pieces . . . . .	Kit	\$10.50
9010	348/409 Valve cover screws 1 1/2 inch 12 pieces . . . . .	Kit	\$11.50
9011	348/409 Valve cover screws 1 3/4 inch 12 pieces . . . . .	Kit	\$12.50
9012	348/409 Valve cover screws 2 inch 12 pieces. . . . .	Kit	\$13.75
5693	Valve cover cap screws for aluminum valve covers 1 inch, stainless steel 12 pcs. . . . .	Set	\$10.50
9003	Valve cover cap screws for aluminum valve covers 1 1/4 inch stainless steel 12 pcs . . . . .	Kit	\$12.00
9004	Valve cover cap screws for aluminum valve covers 1 1/2 inch stainless steel 12 pcs . . . . .	Kit	14.50
9005	Valve cover cap screws for aluminum valve covers 1 3/4 inches stainless steel 12 pcs . . . . .	Kit	\$16.00
9006	Valve cover cap screws for aluminum valve covers 2 inch stainless steel 12 pcs . . . . .	Kit	\$18.00
9007	Valve cover cap screw for aluminum valve covers 2 1/4 inch stainless steel 12 pcs . . . . .	Kit	\$19.50
8997	Valve cover bat wing washers 12 pcs . . . . .	Kit	\$11.90
8311	Valve cover screw kit, 1" use with SC #5692 and extr gas-ket. 12 pieces . . . . .	Kit	\$9.40

## VOLTAGE REGULATOR SCREWS

3916	58-64 Voltage regulator #8 screw kit . . . . .	Set	\$4.13
3917	58-64 voltage regulator screw kit with grommets (includes 3 screws and 3 grommets) . . . . .	Set	\$8.25
1192	58-64 Voltage regulator #14 screw kit . . . . .	Kit	\$4.13

## WATER PUMP BOLTS

3227	58-64 348/409 . . . . .	Kit	\$19.31
4269	58-65 348-409 power steering bracket, dipstick tube, idler pulley bracket to exhaust manifold stud . . . . .	Ea	\$10.00
8458	Water pump bolt for countersunk pulley #7964, #7965 . . . . .	Ea	\$3.00

## WHEEL HARDWARE

3297	58-64 7/16 wheel studs 5 pieces . . . . .		\$6.88
3298	58-64 7/16 wheel nuts 5 pieces. . . . .		\$6.88

## WINDSHIELD WIPER

5070	59-62 Windshield wiper motor and wiper arm mounting screw countersunk with lock washer (motor requires 4, Ea wiper arm requires 3). . . . .	Ea	\$2.20
------	---	----	--------

Go to Show-Cars.com for updates and many more pictures

# Bumpers . . . . . 26

## BUMPERS . . . . . 26.010

7429	62 Front Bumper (3pc) . . . . . Set	\$419.00
7430	62 Rear Bumper (3pc) . . . . . Set	\$419.00
7431	63 Front Bumper (3pc) . . . . . Set	\$369.00
7432	63 Rear Bumper (3pc) . . . . . Set	\$369.00
7433	64 Front Bumper (3pc) . . . . . Set	\$369.00
7434	64 Rear Bumper (3pc) . . . . . Set	\$369.00

7646	62 Front bumper filler . . . . . Ea	\$79.95
7647	63 Front bumper filler . . . . . Ea	\$92.00
7648	64 Front bumper filler . . . . . Ea	\$112.00
7644	63-64 Front bumper brace, passenger . . . . . Ea	\$23.99
7645	63-64 Front bumper brace, driver . . . . . Ea	\$23.99
7643	64 Front bumper center reinforcement bar . . . . . Ea	\$54.99

## LICENSE PANELS . . . . . 26.090

6319	58 Front license panel . . . . . Ea	\$89.00
6320	58 Rear license panel . . . . . Ea	\$105.00
5240	60 Front license panel . . . . . Ea	\$55.00
5598	61 Front license panel . . . . . Ea	\$45.50
5599	61 Rear license panel . . . . . Ea	\$52.99
3532	62 Front license panel . . . . . Ea	\$61.00
3533	62 Rear license panel . . . . . Ea	\$69.50
3534	63 Front license panel . . . . . Ea	\$54.99
3535	63 Rear license panel . . . . . Ea	\$54.99
3536	64 Front license panel . . . . . Ea	\$54.95
3537	64 Rear license panel . . . . . Ea	\$54.99
2070	58-64 License panel & grill clip Kit, 10 pieces . . . . . Kit	\$11.44

## BUMPER BRACKETS . . . . . 26.150

7239	63 Front bumper brackets, 5 pcs . . . . . Set	\$136.00
7240	63 Rear bumper bracket set, 4 pcs . . . . . Set	\$118.00
7241	64 Pass. front bumper brackets, 3pcs . . . . . Set	\$49.95
7242	64 Driver. front bumper brackets, 3pcs . . . . . Set	\$49.95
7243	64 Pass. rear bumper brackets. 2 pcs . . . . . Set	\$49.99
7244	64 Driver rear bumper brackets . . . . . Set	\$49.99
7245	64 Front bumper center brace . . . . . Set	\$43.95

## BUMPER MOUNT KITS . . . . . 26.190

*Bumper mount kits are standard hardware*

5511A	58 Bumper mount kit, front . . . . . Kit	\$28.99
5511	59 Bumper mount kit front 136 pieces - . . . . . Kit	\$45.99
5512	59 Bumper mount kit rear 64 pieces . . . . . Kit	\$28.99
5513	60 Bumper mount kit front 100 pieces . . . . . Kit	\$39.99
5514	60 Bumper mount kit rear 70 pieces . . . . . Kit	\$35.99
5515	61 Bumper mount kit front 116 pieces . . . . . Kit	\$41.99
5516	61 Bumper mount kit rear 96 pieces . . . . . Kit	\$35.99

5517	62 Bumper mount kit front 126 pieces . . . . . Kit	\$35.99
5518	62 Bumper mount kit rear 64 pieces . . . . . Kit	\$33.99

5519	63 Bumper mount kit front 120 pieces . . . . . Kit	\$33.99
5520	63 Bumper mount kit rear 88 pieces . . . . . Kit	\$35.99
5521	64 Bumper mount kit front 124 pieces . . . . . Kit	\$56.50
5522	64 Bumper mount kit rear 104 pieces . . . . . Kit	\$56.50

## RUBBER BUMPERS . . . . . 26.200

6379	58 Up glove box bumpers . . . . . Pr	\$3.00
5905	58 Door bumper . . . . . Ea	\$3.00
8257	59-60 Glove box arm grommet. . . . . Ea	\$3.95
8116	59-64 Door bumper. . . . . Ea	\$5.00
6382	58-59 Rear license plate bumper. . . . . Pr	\$3.60
6383	58-59 Gas door bumper . . . . . Pr	\$10.99
2068	58-64 Hood adjustment bumpers, round. . . . . Pr	\$3.00
6384	58-70 Trunk bumpers . . . . . Pr	\$2.35

6385	59 Hood panel to grille bumpers. . . . . Pr	\$2.00
3888	59-61 hood side bumpers . . . . . Pr	\$4.18
4273	59-64 Door bumpers 4 pc . . . . . Set	\$21.00
6389	60-61 License plate bumper . . . . . Pr	\$4.99
8308	61-64 Glove box arm grommet. . . . . Ea	\$3.99
6626	61 Gas door bumpers . . . . . Pr	\$12.50
6019	62 Hood side bumpers . . . . . Kit	\$9.99

6386	62 Body bumper kit . . . . . Kit	\$32.95
6380	62-64 Gas door bumpers . . . . . Set	\$5.99
6381	62-64 Seat back bumpers, SS . . . . . Set	\$19.95
1053B	63-64 Hood side bumpers 4 pc . . . . . Set	\$10.00
6390	63-64 Body bumper set. . . . . Set	\$29.95
6394	58-64 Brake and clutch pedal bumper . . . . . Ea	\$2.65
3180	58-64 Rear frame axle bumper . . . . . Ea	\$13.99
3412	58-64 front lower control arm bumper . . . . . Pr	\$20.35
3891	58-64 front upper control arm bumper . . . . . Pr	\$12.90

**All prices subject to change without notice. Any installed part is not returnable**

**Miscellaneous . . 27 Weatherstripping .**

4224S	Show Cars tee shirt, small. . . . .	Ea	\$16.00
4224M	Show Cars tee shirt, medium . . . . .	Ea	\$16.00
4224L	Show Cars tee shirt, large . . . . .	Ea	\$16.00
4224XL	Show Cars tee shirt, X large . . . . .	Ea	\$16.00
4224XXL	Show Cars tee shirt XX large. . . . .	Ea	\$18.00
7390	Edelbrock Racing fender cover. . . . .	Ea	\$19.49
7019	Crankshaft shipping or storage case . . . . .	Ea	\$199.00

**..... 28**

*The "B-Body" cars include – Chevrolet: Impala, Buick: Special, Century, LeSabre, Invicta. Oldsmobile: Eighty-Eight, Ninety-Eight, Starfire Ninety-Eight. "C-Body" cars include – Cadillac: Series 60 Special Fleetwood, Series 62, Eldorado, Deville*

**WEATHERSTRIP KITS..... 28.010**

8633	61 Impala, Buick, Cadilac, Olds, Pontiac weatherstrip kit includes doo, truck roofrail. . . . .	Kit	\$208.95
8637	62 Impala, Buick, Olds, Pontiac 2 Dr hardtop weatherstrip kit. Trunk, door roof rail . . . . .	Kit	\$179.00

**DOOR WEATHERSTRIPPING . . . . 28.050**

3544	58 2 Door hadtop & conv door weatherstripping . . . . .	Set	\$69.00
3570	58 Front door jam J seals . . . . .	Pr	\$20.75
6861	58-60 Windshield to inner cowl panel drain seal . . . . .	Pr	\$13.99
3545	59-60 2dr hardtop & conv door weatherstripping . . . . .	Set	\$95.00
8441	59-60 Front door weather srtp with clips and molded ends, 4 door . . . . .	Set	\$131.99
8442	59-60 Rear door weatherstrip with clips and molded ends, 4 door . . . . .	Set	\$143.00
3546	59-60 El Camino door weatherstripping. . . . .	Set	\$119.00
6860	59-60 Windshield gutter drain, sedan El Camino . . . . .	Pr	\$49.95
7295	58-62 Door weatherstrip clips. (2clips, 2 screws) . . . . .	Set	\$5.00
8831	59-62 Door weather plugs (24 Pcs) . . . . .	Set	\$19.99
3571	59-60 Front door jam J seals. . . . .	Pr	\$35.95
3547	61-62 2dr hardtop & conv door weatherstripping . . . . .	Set	\$89.50
8443	61 Front door weathersrtip with clips and molded ends, 4 door . . . . .	Set	\$199.00
8444	61 Rear door weatherstrip with clips and molded ends. 4 door . . . . .	Set	\$236.95
3572	61-62 Front door jam gutter . . . . .	Pr	\$9.90
3549	61-64 2 Door sedan. . . . .	Set	\$79.50
5322	62-64 Outer door, quarter window wiper seals. . . . .	Set	\$54.75
3548	63-64 2 door hardtop & conv door weatherstripping . . . . .	Set	\$94.50
8387	63-64 Impala 4 dr hardtop rear door weatherstrip . . . . .	Set	\$236.95
8388	63-64 Impala 4 dr hardtop front door weatherstrip . . . . .	Set	\$236.95

**Go to Show-Cars.com for updates and many more pictures**

# 507-233-1958 Fax 507-354-1959 1-24 Catalog 149

Set \$133.00

## QUARTER GLASS VERTICAL SEAL . . . . .

### 28.051

3399	58-64 Without steel insert except 61-62 bubbletop	Pr	\$22.95
	.....	Pr	\$Call
5900	58 Convertible with steel insert	Pr	\$Call
5901	58 Hardtop with steel insert	Pr	\$Call
5902	59-60 Hardtop with steel insert	Pr	\$Call
5903	59-60 Convertible with steel insert	Pr	\$18.50
3399A	61-62 Bubble top with steel insert	Pr	\$Call
5904	62-64 Hardtop & Conv with steel insert	Pr	\$22.20

## WEATHERSTRIP CLIP . . . . . 28.060

4864	55-70 Weatherstrip fastener, button type	Ea	\$2.00
------	--	----	--------

## WINDOW FELT KITS . . . . . 28.070

3636	58 2 Door hardtop	Ea	\$143.00
7769	58 2 Sedan upper door channel felt kit	Ea	\$159.00
3637	58 convertible	Ea	\$143.00
3638	59-60 2 Door sedan	Ea	\$148.00
3639	59-60 2 Door hardtop	Ea	\$145.00
7770	59-60 2 Door sedan upper door channel felt kit	Ea	\$189.50
	.....	Ea	\$143.00
3640	59-60 Convertible	Ea	\$153.00
5755	59-60 4 Door sedan	Ea	\$153.00
8815	59-60 4 Door hardtop	Ea	\$143.00
7773	59-60 El Camino window felt kit	Ea	\$65.50
7774	59-60 El Camino upper door channel felt kit	Ea	\$88.00
3641	61 Impala 2 door hardtop	Ea	\$153.00
3641A	61-62 Bel Air 2 door hardtop	Ea	\$169.00
7771	61-62 2 Door sedan upper door channel felt kit	Ea	\$189.50
	.....	Ea	\$153.00
3642	61-62 Convertible	Ea	\$153.00
8847	61-64 2 door sedan window felt kit Biscayne / Bel Air	Kit	\$143.00
	.....	Set	\$44.99
5322	62-64 Wiper seal, side glass, 2 dr hardtop	Set	\$44.99
3643	62 Impala 2 Door hardtop	Ea	\$148.00
3645	63-64 2 Door hardtop	Ea	\$148.00
7772	63-64 2 Door sedan upper door channel felt kit	Ea	\$189.50
	.....	Ea	\$156.00
3644	63-64 4 Door hardtop	Ea	\$156.00
3646	63-64 Convertible	Ea	\$153.00

## DOOR JAM QUARTER U SEALS . . 28.090

3998	58 Hardtop	Pr	\$22.50
3999	58 Convertible	Pr	\$22.75
4000	59-60 Hardtop	Pr	\$22.75
4001	59-60 Convertible	Pr	\$22.72
4003	61-64 Hardtop	Pr	\$20.85
4002	61-64 Convertible	Pr	\$22.75

## VENT WINDOW WEATHERSTRIPPING . . .

### 28.140

5591	58 Vent window stops, upper tip	Pr	\$24.70
4004	58 Vent seal	Set	\$246.00
5592	59-60 Vent window stops, upper tip	Pr	\$44.50
4006	59-60 Vent seal hardtop and convertible only	Set	\$102.95
5593	61-62 Vent window stops, upper tip	Pr	\$30.50
7318	61-62 Vent window bumper, convertible	Pr	\$25.00
4007	61-62 Vent seal	Set	\$85.00
5594	63-64 Hardtop Vent window stops, upper tip	Pr	\$30.50
5595	63-64 Convertible Vent window stops, upper tip	Pr	\$16.95
	.....	Pr	\$85.00
4008	63-64 Seal, hardtop and convertible	Set	\$85.00
7469	63-64 Vent window seal, 2 dr & 4 dr sedan	Pr	\$60.99

## FRONT WINDSHIELD CHANNEL . . 28.190

4009	58 Hardtop, conv, sedan	Ea	\$73.00
4009A	58 2 Door sport coupe	Ea	\$70.00
4010	59-60 Hardtop & convertible	Ea	\$69.00
4011	59-60 Sedan & El Camino	Ea	\$85.00
4014	61 Impala and Bel Air hardtop, 62 Bel Air hardtop	Ea	\$50.00
	.....	Ea	\$50.00
4015	62 Impala 2 Dr Hardtop	Ea	\$50.00
4013	61-62 Sedan (except Biscayne)	Ea	\$56.00
4013A	61-62 Convertible	Ea	\$50.00
4016	63-64 2 Door hardtop & convertible	Ea	\$50.00
4017	63-64 4 Door hardtop	Ea	\$75.00
4018	63-64 Front windshield channel, sedan	Ea	\$235.00

## REAR GLASS CHANNEL . . . . . 28.240

4019	58 Rear glass channel Hdt, sedan	Ea	\$60.00
4020	59-60 Rear glass channel, Hardtop	Ea	\$86.00
4021	59-60 Rear glass channel, sedan except 60 Biscayne	Ea	\$69.50
	.....	Ea	\$90.00
4022	59-60 rear glass channel El Camino	Ea	\$90.00
4023	61-62 rear glass channel, 61 Hdt, 62 Bel Aire Hdt	Ea	\$60.50
	.....	Ea	\$50.00
4024	62-64 Rear glass channel Impala 2 Dht	Ea	\$50.00
4025	62-64 Rear glass channel, sedan	Ea	\$60.00
4026	63-64 Rear glass channel 4 Dht	Ea	\$60.00

## ROOF RAIL WEATHERSTRIPPING 28.290

3551	58 Roof rail weatherstripping	Pr	\$79.95
3552	59-60 Roof rail weatherstripping 2 d hardtop	Ea	\$92.50
8439	59-60 Roof rail weatherstripping 4 door HT	\$	\$171.95
3553	61-62 Roof rail weatherstrip 61 Htp, 62 Bel Aire Htp	Ea	\$94.50
	.....	Ea	\$105.75
8440	61 Roof rail weatherstrip 4 Dr hip	Ea	\$105.75
3554	62 Roof rail weatherstrip Impala 2 Dr htp	Ea	\$129.50
3555	63-64 Roof rail weatherstrip 2 DR htp	Ea	\$94.50
5922	63-64 Roofrail weather strip 4 Dr htp	EA	\$95.50
3557	58-64 Roof rail weatherstripping convertible header seal	Ea	\$20.95
	.....	Ea	\$595.00
3558	58 Roof rail weatherstrip convertible top	Set	\$595.00

All prices subject to change without notice. Any installed part is not returnable

# Page 150 Show-Cars.com 1-24 Catalog

3559	59-60 Roof rail weatherstrip convertible . . . . . Set	\$499.95
3560	61-64 roof rail weatherstrip convertible . . . . . Set	\$399.00

## PILLAR POST WEATHERSTRIP . . . 28.340

3561	58 Cinv, Hstp, Nomd pillar post weathe strip . . Pr	\$19.99
	59-60 Convertible pillat post weatherstro[ . . . . . Pr	\$125.00
3563	61 Convertible pillar post weather strip . . . . . Pr	\$57.75
3564	62 Convertible pillar post weatherstrip. . . . . Pr	\$78.95
3565	63-64 Conv pillar post weatherstrip . . . . . Pr	\$57.75

## TRUNK WEATHERSTRIP . . . . . 28.390

3569	58-64 Trunk Weatherstrim . . . . . Ea	\$31.50
------	---------------------------------------	---------

## BODY AND FENDER SEALS . . . . . 28.440

5914	58 Rear body to bumper seal . . . . . Ea	\$9.90
4829	62 Rear body to bumper seal . . . . . Ea	\$11.95
5906	63 Rear body to bumper seaal. . . . . Ea	\$11.00
3897	64 Rear body to bumper seal . . . . . Ea	\$19.75
3997	58-60 inner to outer fender seals. . . . . Set	\$29.95
3900	61 Inner to outer fender seals . . . . . Set	\$14.00

# PAINT . . . . . 29

6645	62 Correct original silver/gold valve cover paint . . . . . Ea	\$16.95
6895	Correct Chevy Orange . . . . . Ea	\$14.95
6866	Black hammer finish heater box paint . . . . . Ea	\$14.95
3591	Cast Last Blast . . . . . Ea	\$12.75
3592	Aluminum LAST BLAST. . . . . EA	\$10.75
3245	Yellow marking stick . . . . . Ea	\$5.00
3246	White markinf stick. . . . . Ea	\$5.00

Go to Show-Cars.com for updates and many more pictures

# Index

A ARM . . . . . 143  
 A ARM/CONTROL ARM . . . . . 96  
 A ARM/CONTROL ARM BUSHINGS . . . . . 97  
 A ARM/CONTROL ARM DUST SEALS . . . . . 96  
 A ARM/CONTROL ARM WASHERS . . . . . 97  
 AFTERMARKET POSI UNITS . . . . . 112  
 AIR CLEANER DECALS . . . . . 119  
 AIR CLEANER PARTS . . . . . 141  
 AIR CLEANERS . . . . . 141  
 AIR CLEANERS 409 CUSTOM . . . . . 17  
 AIR CLEANERS, 409 REPRODUCTION . . . . . 15  
 AIR CLEANERS, 409 REPRODUCTION WITH MODIFI-  
 CATIONS . . . . . 16  
 AIR CONDITIONING . . . . . 26, 88  
 AIR CONDITIONING CABLE CLAMPS SCREWS . . . . . 143  
 AIR CONDITIONING DECALS . . . . . 120  
 AIR CONDITIONING HARNESS . . . . . 132  
 AIR FILTER ELEMENTS . . . . . 19  
 ALTERNATOR . . . . . 25  
 ALTERNATOR BOLT . . . . . 143  
 ALTERNATOR PLUG REPAIR HARNESS . . . . . 132  
 ALTERNATOR PULLEY . . . . . 22  
 ALUMINUM RADIATORS . . . . . 89  
 ALUMINUM RADIATORS, GRIFFIN . . . . . 89  
 ANTENNA . . . . . 138  
 ASH TRAY . . . . . 105  
 ASSEMBLY MANUALS . . . . . 140  
 AUTOMATIC TRANSMISSION PARTS . . . . . 69  
 AXLE BUMPER . . . . . 99  
 BACK GLASS . . . . . 92  
 BACK UP LIGHT HARNESSES . . . . . 134  
 BALLAST RESISTOR . . . . . 32  
 BATTERY CABLES . . . . . 118  
 BATTERY DECAL . . . . . 120  
 BATTERY TOP RETAINERS . . . . . 118  
 BATTERY TRAYS . . . . . 118  
 BEARING DUST COVERS . . . . . 98  
 BEARINGS. GASKETS AND SEALS . . . . . 110  
 BELL CRANK (Z BAR) . . . . . 66  
 BELL CRANK (Z BAR) SUPPORT . . . . . 66  
 BELL HOUSING . . . . . 66  
 BELL HOUSING HARDWARE . . . . . 143  
 BELTS . . . . . 23  
 BIG BLOCK HEADERS FOR 58-64 FULL SIZE CARS . . . . . 81  
 BILLET ALUMINUM HOOD HINGES . . . . . 100  
 BILLET SPECIALTIES SERPENTINE BELT SYSTEMS . . . . .

BLOWER MOTOR . . . . . 86  
 BODY BOLT TO FRAME . . . . . 143  
 BODY GROUND STRAP . . . . . 93  
 BODY GROUND STRAP . . . . . 128  
 BODY MOUNT . . . . . 115  
 BODY MOUNT BOLTS . . . . . 94  
 BODY MOUNT CAGE NUT . . . . . 143  
 BODY MOUNT PADS . . . . . 93  
 BODY MOUNT SHIMS . . . . . 143  
 BODY MOUNT WASHERS . . . . . 143  
 BODY PLUG KITS . . . . . 93  
 BRAKE CABLES . . . . . 62  
 BRAKE CLIPS . . . . . 143  
 BRAKE HARDWARE . . . . . 65  
 BRAKE HOSE . . . . . 62  
 BRAKE LINE SETS (STAINLESS) . . . . . 64  
 BRAKE LINE SETS (STEEL) . . . . . 64  
 BRAKE LINES (STAINLESS STEEL) . . . . . 64  
 BRAKE LINES (STEEL) . . . . . 64  
 BRAKE SHOES . . . . . 65  
 BRAKES (MISC) . . . . . 64  
 BRASS/COPPER RADIATORS . . . . . 88  
 BUMPER ADJUSTMENT WASHERS . . . . . 143  
 BUMPER BOLTS . . . . .  
 BUMPER BRACKETS . . . . . 147  
 BUMPER GUARDS . . . . . 136  
 BUMPER LICENSE PANEL RETAINER CLIPS . . . . . 143  
 BUMPER MOUNT KITS . . . . . 147  
 BUMPERS . . . . . 147  
 BY-PASS HOSE . . . . . 86  
 CAM BOLTS . . . . . 143  
 CAMSHAFT . . . . . 38  
 CARBURETOR GASKETS/ADAPTERS . . . . . 11  
 CARBURETOR HARDWARE . . . . . 11  
 CARBURETOR HARDWARE . . . . . 143  
 CARBURETOR LEVERS . . . . . 12  
 CARBURETOR LINKAGE . . . . . 12  
 CARBURETOR PARTS . . . . . 141  
 CARBURETOR REBUILD KITS . . . . . 9  
 CARBURETOR RODS . . . . . 12  
 CARBURETORS . . . . . 140  
 CARBURETORS . . . . . 10, 140  
 CARBURETOR SHAFTS . . . . . 12  
 CARTER/EDELBROCK CARBURETORS . . . . . 10  
 CAST PISTON RING SETS . . . . . 49, 51  
 CENTER SECTIONS . . . . . 112  
 CHEVROLET BOOKS (MISC) . . . . . 140  
 CHOKE BAFFLES . . . . . 79  
 CHOKE COVER . . . . . 20

**All prices subject to change without notice. Any installed part is not returnable**

# Page 152 Show-Cars.com 1-24 Catalog

CHOKE TUBES . . . . .	20	DISTRIBUTORS, CRANK TRIGGERED . . . . .	31
CIGARETTE LIGHTER . . . . .	105	DISTRIBUTORS, ELECTRONIC . . . . .	30
CLAMPS, EXHAUST GM TYPE . . . . .	82	DISTRIBUTORS, USING POINTS . . . . .	30
CLAMPS (GAS HOSE) . . . . .	7	DOME LIGHT . . . . .	105
CLOCK HARNESS . . . . .	133	DOMELIGHT HARNESS . . . . .	132
CLUTCH AND FLYWHEEL . . . . .	68	DOOR BUMPERS . . . . .	115
CLUTCH DUST COVER BOLTS . . . . .	143	DOOR GLASS . . . . .	92
CLUTCH FORK . . . . .	67	DOOR GLASS CHANNELS . . . . .	91
CLUTCH FORK BOOT . . . . .	67	DOOR HANDLE AND LOCK GASKETS . . . . .	114
CLUTCH FORK PUSH ROD . . . . .	68	DOOR HANDLE BUSHING PLATE . . . . .	114
CLUTCH LINKAGE HARDWARE . . . . .	66	DOOR HANDLE SHIELDS . . . . .	136
CLUTCH LINKAGE SPRING . . . . .	67	DOOR HANDLES, INSIDE . . . . .	114
CLUTCH PEDAL PUSH ROD . . . . .	67	DOOR HANDLES OUTSIDE, AMERICAN MADE . . . . .	114
CLUTCH RELEASE (THROWOUT) BEARING . . . . .	67	DOOR HANDLES OUTSIDE, IMPORTED . . . . .	114
CLUTCH ROD FIREWALL SEAL . . . . .	67	DOOR HINGE . . . . .	114
COIL 32		DOOR JAM QUARTER U SEALS . . . . .	149
COIL BRACKET HARDWARE . . . . .	143	DOOR LATCH . . . . .	115
COIL SPRINGS . . . . .	99	DOOR MOLDINGS . . . . .	123
COMPASS . . . . .	138	DOOR PANEL EMBLEM . . . . .	127
CONSOLE . . . . .	103, 126	DOORS . . . . .	117
CONSOLE HARNESES . . . . .	132	DOORS . . . . .	104
CONTROL ARM . . . . .	143	DOOR SILL PLATE SCREWS . . . . .	144
CONVERTIBLE BOOT SNAPS . . . . .	143	DOOR WEATHERSTRIPPING . . . . .	148
CONVERTIBLE FRONT PILLAR WEATHERSTRIPPING		DOUGHNUTS . . . . .	82
CONVERTIBLE TOP WEATHERSTRIPPING . . . . .		DOWN PIPES FOR DUAL EXHAUST (EXHAUST MANI- FOLD TO MUFFLER) . . . . .	84
COOLING DECALS & TAGS . . . . .	120	DRAIN COVERS . . . . .	93
COWL . . . . .	117, 143	DRIVE SHAFT HANGER BOLTS . . . . .	144
CRANK BOLTS . . . . .	143	DRIVE SHAFT (MISC.) . . . . .	110
CRANKCASE VENTILATION . . . . .	34	DRIVE SHAFTS . . . . .	110
CRANKSHAFT PULLEY . . . . .	22	DRIVE SHAFT SLIP YOKE . . . . .	110
CRANKSHAFTS . . . . .	48	EMERGENCY BRAKE HANDLE . . . . .	106
CUSTOM GAS TANKS . . . . .	8	ENGINE BLOCK . . . . .	24
CUSTOM RADIOS . . . . .	102	ENGINE HARNESES . . . . .	128
CYLINDER DOWN PIPES . . . . .	84	ENGINE KITS . . . . .	58
DASH . . . . .	117	ENGINE LUBE . . . . .	57
DASH HARNESS . . . . .	129	ENGINE REBUILD TOOLS . . . . .	42
DASH LENSES . . . . .	105	EXHAUST . . . . .	144
DASH PAD . . . . .	105	EXHAUST BRACKET HARDWARE . . . . .	82
DASH SEALS . . . . .	105	EXHAUST HANGER KITS FOR CUSTOM APPLICA- TIONS (2 1/2") . . . . .	84
DECK LID EMBLEMS . . . . .	122	EXHAUST LOCKS, STAINLESS STEEL . . . . .	79
DECK LID MOLDINGS . . . . .	124	EXHAUST MANIFOLD BOLTS . . . . .	80, 144
DETAILING TAGS . . . . .	31	EXHAUST MANIFOLD BOLTS COMMON HARDWARE . 79	
DIPSTICKS . . . . .	19	EXHAUST MANIFOLD BOLTS WITH GM HEAD MARK- INGS . . . . .	144
DIPSTICK TUBES . . . . .	19	EXHAUST MANIFOLDS . . . . .	79
DIPSTICK TUBE TO OIL PAN SEAL . . . . .	19	EXHAUST PORTS . . . . .	136
DISK BRAKE CONVERSION KITS . . . . .	62		
DISTRIBUTOR CAPS . . . . .	30		
DISTRIBUTOR HARDWARE . . . . .	143		
DISTRIBUTOR PARTS . . . . .	31		

**Go to Show-Cars.com for updates and many more pictures**



# 507-233-1958 Fax 507-354-1959 1-24 Catalog 153

EXTERIOR SCREW KIT .....	144	GAS LINE-FUEL PUMP TO CARB, 409 REPRO COM- PLETE SETS WITH ALL FITTINGS.....	4
FACTORY & DEALER DECALS .....	120	GAS LINE-FUEL PUMP TO CARB, CUSTOM (AFTER MARKET CARBS, INTAKE OR BOTH COMPLETE WITH ALL FITTINGS .....	5
FAN BLADE BOLTS .....	144	GAS LINE-FUEL PUMP TO CARB(S) SMALL BLOCK REPRO COMPLETE SETS WITH ALL FITTINGS	4
FAN BLADE/CLUTCH .....	33	GAS LINE RETAINERS .....	144
FAN SHROUD .....	87	GAS LINES-FRAME (TANK TO FUEL PUMP) STAIN- LESS STEEL .....	6
FAN SHROUD BOLTS .....	144	GAS LINES-FRAME (TANK TO FUEL PUMP) TINNED STEEL.....	6
FEDERAL MOGUL H SERIES .....	52	GAS LINES, INDIVIDUAL LINES WITH ALL FITTINGS	5
FENDER BOLTS .....	144	GAS TANK FILLER NECK .....	8
FENDER EMBLEMS.....	121	GAS TANKS .....	7
FENDER EMBLEMS TEMPLATES .....	121	GAS TANK STRAPS AND HARDWARE.....	8
FENDER MOLDINGS.....	123	GENERATOR .....	145
FENDERS .....	116	GENERATOR DECALS .....	120
FIREWALL GROMMETS.....	100	GLASS CHANNEL LINERS .....	91
FIREWALL PAD FASTENERS .....	106, 144	GLASS MOLDINGS .....	121
FIREWALL PADS .....	106	GLOVEBOX & DASH EMBLEMS .....	127
FLANGES .....	82	GLOVE BOX LINERS.....	105
FLAT TAPPET HYDRAULIC CAMSHAFTS .....	38	GRAB BAR.....	103
FLAT TAPPET SOLID CAMSHAFTS.....	39	GRILL .....	124
FLOOR BRACES .....	115	GRILL EMBLEMS.....	121
FLOOR MATS AND FLOOR PROTECTORS .....	137	GRILL GUARDS .....	136
FLOOR PAN .....	116	GRILL RIVETS .....	100
FLOOR SOUND DEADNER .....	105	GROUND STRAP KITS .....	134
FLYWHEEL DUST COVERS.....	66	HARDWARE.....	53
FLYWHEEL & FLEXPLATE .....	144	HARMONIC BALANCER .....	36
FOUR SPEED BACKUP.....	68	HEAD BOLTS.....	145
FOUR SPEED BACKUP SCREWS .....	144	HEADER BOLTS .....	
FOUR WAY FLASHERS.....	139	HEADER DOWN PIPES FOR 58-64 FULL SIZE CARS	81
FREEZE/EXPANSION PLUGS .....	53	HEADER KIT .....	80
FRESH AIR VENT.....	106	HEADLAMP BEZELS.....	127
FRONT END (MISC.) .....	102	HEADLAMP BEZEL SCREWS .....	145
FRONT LIGHT HARNESS.....	133	HEADLIGHT ADJUSTMENT KIT .....	101
FRONT WINDSHIELD CHANNEL .....	149	HEADLIGHT SET .....	102
FUEL 141		HEADLIGHT WIRE PIGTAILS .....	102
FUEL INJECTION.....	14	HEADLINERS .....	106
FUEL PUMP HARDWARE.....	144	HEADS.....	38, 142
FUEL PUMP HARDWARE AND ACCESSORIES .....	14	HEATER AIR DEFLECTOR.....	89
FUEL PUMP REBUILD KITS .....	13	HEATER CONTROLL VALVE.....	86
FUEL PUMPS .....	13	HEATER CORE .....	87
FULL CAR BUSHING SET .....	99	HEATER CORE HOSES .....	86
GAS CAPS.....	8	HEATER DELETE .....	86
GAS DOOR GUARDS.....	137	HEATER HOSE FITTINGS .....	86
GAS FILTER ELEMENTS .....	9	HEATER HOSE MISC. ....	87
GAS FILTERS AND ACCESSORIES .....	8	HEATER HOSES .....	86
GAS HOSE CLAMPS .....	144		
GASKET .....	53		
GASKET .....	142		
GASKETS .....	87		
GASKETS (DOOR MIRROR) .....	115		
GAS LINE FITTINGS .....	5		
GAS LINE-FUEL PUMP TO CARB .....	4		

**All prices subject to change without notice. Any installed part is not returnable**

# Page 154 Show-Cars.com 1-24 Catalog

HEATER HOSE SEALS .....	87	MASTER CYLINDER.....	145
HEAT RISER DELETE SPACER.....	82	MASTER CYLINDER BRAKE LINES.....	64
HEAT RISER GASKETS.....	82	MASTER CYLINDER (PARTS).....	63
HEAT RISER VALVE .....	82	MIRROR MOUNTING KITS (DOOR) .....	115
HOOD ADJUSTMENT SCREWS .....	145	MIRROR MOUNTING SCREWS .....	115
HOOD EMBLEMS.....	122	MIRRORS .....	115
HOOD HINGES .....	100	MIRRORS (DOOR) .....	115
HOOD LIP MOLDINGS .....	122	MISCELLANEOUS.....	142
HOOD LIP MOLDING STUD .....	145	MISCELLANEOUS DECALS .....	120
HOOD LIP MOLDING STUDS .....	100	MOLDING CLIP SETS .....	123
HOODS .....	116	MOLDING INSERTS.....	124
HOOD SEALS .....	101	MOLDING SETS .....	124
HOOD SPRINGS .....	100	MOTOR MOUNT .....	145
HORN.....	101	MOTOR MOUNTS.....	34
HORN RELAY .....	132	MUFFLERS-ALUMINIZED STEEL.....	81
HOSE CLAMP KITS .....	86	MUFFLERS-GLASS PACKS (ALUMINIZED STEEL) .	82
HOSE CLAMPS .....	87	MUFFLERS-GLASS PACKS (STAINLESS STEEL) ...	82
HOSE RETAINERS .....	87	MUFFLERS-STAINLESS STEEL .....	82
HOSES (GAS HOSE WITH GM LOGO).....	7	OEM EXHAUST HANGER KITS (2") .....	83
HOUSING AND AXEL KIT .....	111	OEM EXHAUST HANGERS (INDIVIDUAL PIECES 2")..	83
HURST SHIFT KITS .....	70	OIL ADDITIVE.....	38
HYDRAULIC ROLLER CAMSHAFTS .....	40	OIL BREATHER.....	141
IDLER PULLEY.....	145	OIL CANISTER .....	120
INNER FENDER FILLER TO FRAME.....	93	OIL CANISTERS .....	24
INTAKE.....	145	OIL CANNISTER DECAL .....	120
INTAKE MANIFOLDS .....	141	OIL CAPS .....	19
INTAKE MANIFOLDS .....	9	OIL FILL CAP DECALS .....	120
INTERIORS .....	108	OIL FILLER TUBES .....	19
INTERIOR SCREW KITS.....	145	OIL GALLEY PLUGS .....	53
INTERIOR TRIM .....	103	OIL PAN.....	24
JACKING INSTRUCTIONS.....	119	OIL PAN.....	145
KEYS 104		OIL PRESSURE SWITCH.....	25
KICK DOWN LINKAGE .....	69	OIL PUMP .....	43
LICENSE LIGHT.....	125	OIL PUMP .....	145
LICENSE PANELS.....	147	OVERFLOW TUBES.....	87
LICENSE PLATE.....	138, 145	PAINT DECAL .....	120
LIGHT BULBS .....	134	PARKING BRAKE.....	145
LIGHT KITS .....	136	PARKING BRAKES.....	62
LIGHT LENSES, GASKETS, AND SEALS .....	126	PARKING LIGHT BEZELS .....	127
LIGHT SOCKETS .....	134	PEDALS.....	104
LOCK KITS.....	125	PILOT BEARING.....	71
LOCKS.....	125	PISTON PINS .....	48
LOWER STEERING COLUMN TRIM PLATE .....	121	PISTONS, CAST ALUMINUM .....	44
MACHINE SHOP SERVICE.....	61	PISTONS, FORGED ALUMINUM.....	45
MAIN BEARINGS.....	52	POSITRACTION DECAL.....	119
MAIN BOLTS .....	145	POWER BRAKE.....	62
MAIN CAPS .....	48	POWERLEAD WIRES.....	134
MANIFOLD STUD KITS .....	81	POWER STEERING .....	97, 145
MARCH SERPENTINE BELT SYSTEMS .....	20	POWER STEERING 605 CONVERSION.....	98
MASTER CYLINDER.....	63		

Go to Show-Cars.com for updates and many more pictures

# 507-233-1958 Fax 507-354-1959 1-24 Catalog 155

POWER STEERING PULLEYS & BRACKETS . . . . .	21	SEAT BELTS . . . . .	106, 138
POWER WINDOWS . . . . .	90	SEAT MOUNTING NUT . . . . .	146
PRODUCTS MANUFACTURED BY OTHERS FOR USE		SEATS . . . . .	105
WITH EDELBROCK PRODUCTS . . . . .	142	SENDING UNIT HARDWARE . . . . .	7
PUSH ROD GUIDE PLATE . . . . .	42	SENDING UNITS . . . . .	7
PUSH RODS(3/8) . . . . .	42	SERVICE DECALS . . . . .	120
PUSH RODS (5/16) . . . . .	42	SHEET METAL . . . . .	115
PUSH RODS FOR EDELBROCK HEADS . . . . .	42	SHIFT BOOTS . . . . .	70
QUARTER EMBLEMS . . . . .	121	SHIFTER LINKAGE (MISC.) . . . . .	71
QUARTER GLASS . . . . .	92	SHIFT HANDLE BALL . . . . .	70
QUARTER GLASS VERTICAL SEAL . . . . .	149	SHIFT HANDLES . . . . .	71
QUARTER MOLDINGS . . . . .	123	SHIFT PLATE EMBLEM . . . . .	127
QUARTER PANELS . . . . .	116	SHIMS . . . . .	93
RACING MAIN BEARINGS . . . . .	52	SHIMS . . . . .	100
RACING ROD BEARINGS . . . . .	52	SHOCKS . . . . .	99
RADIATOR . . . . .	145	SHOP MANUALS . . . . .	140
RADIATOR ACCESSORIES . . . . .	88	SIDE HOOD STOPS . . . . .	101
RADIATOR HOSES NO NUMBER . . . . .	88	SILL PLATES . . . . .	124
RADIATOR HOSES WITH GM NUMBERS . . . . .	88	SMALL BLOCK ENGINE PARTS . . . . .	57
RADIATOR SUPPORT . . . . .	117	SMALL BLOCK HEADERS FOR 58-64 FULL SIZE CARS	
RADIO . . . . .	102	80	
REAR AXELS . . . . .	113	SMALL BLOCK "Y" PIPES-SINGLE EXHAUST . . . . .	84
REAR BODY LIGHT HARNESS . . . . .	133	SOLID ROLLER CAMSHAFTS . . . . .	40
REAR BODY PANEL . . . . .	117	SPARE TIRE . . . . .	135
REAR CONTROL ARMS . . . . .	112	SPARK PLUG SETS . . . . .	29
REAR END GEARS . . . . .	110	SPARK PLUG WIRE SEPERATORS . . . . .	28
REAR END HARDWARE . . . . .	111	SPARK PLUG WIRE SETS . . . . .	29
REAR END KITS, 9" FORD . . . . .	113	SPARK PLUG WIRE SUPPORTS . . . . .	28
REAR GLASS GASKET . . . . .		SPEAKER WIRE . . . . .	134
REAR LAMP LENS TRIM . . . . .	127	SPEEDOMETER CABLE AND HOUSING . . . . .	69
REAR PANEL LETTERS . . . . .	127	SPEEDOMETER GEAR . . . . .	69
REAR VIEW MIRRORS . . . . .	136	SPINDLES . . . . .	96
REBUILT 3RD MEMBER . . . . .	111	SPRING RING BATTERY CABLES . . . . .	118
RESONATORS . . . . .	82	SS MOLDING INSERTS . . . . .	123
RETURN LINE CLIP ON VALVE COVER . . . . .	146	STARTER . . . . .	31
RETURN LINES-FRAME (ENGINE TO TANK) . . . . .	6	STARTER BOLTS . . . . .	146
RETURN SPRING BRACKETS . . . . .	13	STEERING COLUMN . . . . .	95
RETURN SPRINGS . . . . .	13	STEERING COLUMN TO FIREWALL SEALS . . . . .	96
ROCHESTER CARBURETORS . . . . .	10	STEERING LINKAGE . . . . .	96
ROCKER ARMS . . . . .	54	STEERING WHEEL . . . . .	125
ROCKER MOLDINGS . . . . .	122	SUNVISOR . . . . .	104
ROD BEARINGS . . . . .	52	SWAY BAR LINKAGE . . . . .	99
ROD BOLTS . . . . .	146	SWITCHES . . . . .	128
ROOF . . . . .	117	TACH FACES . . . . .	120
ROOF RAIL WEATHERSTRIPPING . . . . .		TACH HARNESS . . . . .	128
ROTOR . . . . .	32	TACHOMETER . . . . .	137
RUBBER BUMPERS . . . . .	147	TACH SENDING DETAIL SCREW KIT . . . . .	146
SEALS . . . . .	54	TAIL LAMP COVE QUARTER MOLDING . . . . .	124
SEALS . . . . .		TAILLIGHT SCREWS . . . . .	146
SEAT BELT DECALS . . . . .	120	TAIL PIPES (2") . . . . .	85

**All prices subject to change without notice. Any installed part is not returnable**

# Page 156 Show-Cars.com 1-24 Catalog

TAIL PIPES (2 1/2")	85	VALVES (TITANIUM)	40
TAIL PIPES, FRONT OF REAR WHEEL (2 1/2")	85	VENT GLASS	92
TAIL PIPES, STRAIGHT OUT BACK (2")	85	VENT WINDOW WEATHERSTRIPPING	149
TAIL PIPES, STRAIGHT OUT BACK (2- 1/2")	85	VOLTAGE REGULATOR	32
THERMOSTAT	34	VOLTAGE REGULATOR SCREWS	146
THERMOSTAT HOUSING	89	WASHER JAR LABEL	120
THERMOSTAT HOUSING BOLTS	146	WATER PUMP	33
TIMING COVER	35	WATER PUMP	142
TIMING COVER BOLTS	146	WATER PUMP BOLTS	146
TIMING SET	57	WATER TEE	87
TIMING TAB	36	WATER TEMPERATURE SWITCH	24
TIRE INFLATION DECALS	120	WEATHERSTRIP CLIP	149
TISSUE DISPENSER	136	WEATHERSTRIP KITS	148
TOOL BAGS	136	WHEEL BEARINGS	99
TRAFFIC LIGHT VIEWER	136	WHEEL COVERS AND EMBLEMS	125
TRANSMISSION TUNNEL EXTENSION	116	WHEEL CYLINDER	65
TRANSMISSION	69	WHEEL HARDWARE	146
TRANSMISSION MOUNTING BOLTS		WHEELHOUSE	117
TRANSMISSION MOUNTS	68	WHEELS	113
TRANSMISSION OPERATION INSTRUCTION DECAL	120	WINDAGE TRAY	43
TRANSMISSION TUNNEL EXTENSION	71	WINDOW FELT KITS	149
TRANSMISSION TUNNEL EXTENSION SCREWS	146	WINDOW HANDLE CRANKS	91, 114, 125
TRIM PLATE	105	WINDOW REGULATORS	91
TRUNK	117	WINDSHIELDS	91
TRUNK HARNESS TAPE	128	WINDSHIELD WASHER AND WIPERS	90
TRUNK LID	135	WINDSHIELD WASHER BOTTLE	136
TRUNK LID INSULATION	135	WINDSHIELD WASHER HOSE KITS	90
TRUNK MATS	135	WINDSHIELD WASHER MISC	90
TRUNK WEATHERSTRIPPING		WINDSHIELD WIPER	146
TURN SIGNAL	132	WING NUTS	18
TURN SIGNAL AND TILT LEVERS	104	WIPER MOTOR HARNESSSES (FULL SIZE)	134
U JOINT BOLTS	146	WIRE HARNESS STRAPS	128
UNIVERSAL EXHAUST HANGERS	83	WIRING UPDATES	128
VACUUM ADVANCE	20		
VACUUM MODULATOR	70		
VALVE COVER BOLTS & WASHERS	146		
VALVE COVER DECALS	119		
VALVE COVERS-CORRECT REPRODUCTION	26		
VALVE COVER SCREWS & WASHERS	146		
VALVE COVERS-CUSTOM	27		
VALVE COVERS-CUSTOM	141		
VALVE COVER STICKER KITS	119		
VALVE GUIDES	41		
VALVE LOCKS/KEEPERS	57		
VALVE SEALS	41		
VALVE SPRING RETAINERS	57		
VALVE SPRINGS	55		
VALVES (STAINLESS STEEL)	41		

**Go to Show-Cars.com for updates and many more pictures**



# Page 158 Show-Cars.com 1-24 Catalog

**SIGNATURE RELEASE FORM:**

**Billing Address**

Name \_\_\_\_\_

Address \_\_\_\_\_

City \_\_\_\_\_

State \_\_\_\_\_ Zip \_\_\_\_\_

Phone \_\_\_\_\_

I request that shipments valued between \$1.00 and \$599.00 from S. C. Automotive, Inc. (Show Cars) be sent to me with no signature required. Shipments valued at \$600.00 and more will still require a signature.

Phone 507-233-1958

Fax 507-354-1959 (800-647-7329)

By signing this, I agree that S. C. Automotive, Inc. (Show Cars) is not responsible for any lost packages no matter what payment method I choose. (Credit card, check, money order, cashiers check, etc.) I also understand that I will be responsible for filing following up on any claims. S. C. Automotive, Inc. (Show Cars) agrees to provide me with tracking numbers of missing packages when requested.

Ship to address if different from billing address:

Name \_\_\_\_\_

Address \_\_\_\_\_

City \_\_\_\_\_

State \_\_\_\_\_ Zip \_\_\_\_\_

Signature \_\_\_\_\_

Date \_\_\_\_\_

S. C. Automotive, Inc.  
58373 County Rd 21  
New Ulm MN 56073

**Go to Show-Cars.com for updates and many more pictures**

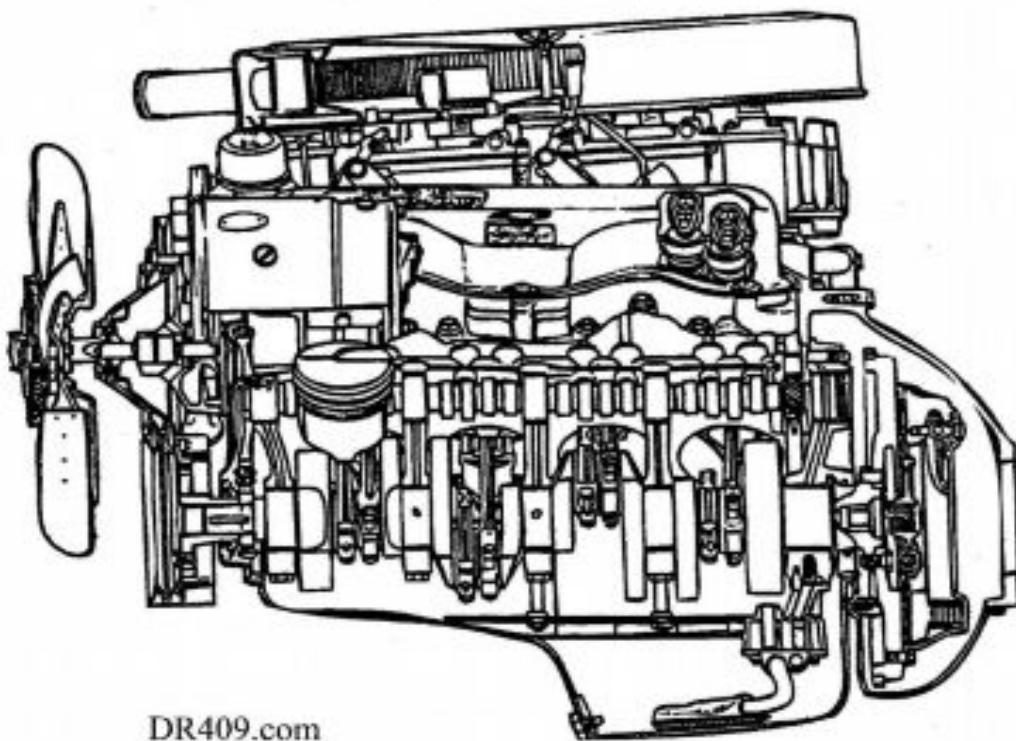
507-233-1958 Fax 507-354-1959 1-24 Catalog 159

# SC AUTOMITIVE

INCORPORATED

*Quality Parts, Restoration and Transportation Services for Classic Chevrolets*

## 348 - 409 BOOK OF NUMBERS



All prices subject to change without notice. Any installed part is not returnable

# Page 160 Show-Cars.com 1-24 Catalog

## TABLE OF CONTENTS

THE 348 ENGINE .....	161
348 HEAD DECK STAMPING CODES.....	161
348 HEAD CASTING NUMBERS.....	162
348 CAMSHAFT CASTING NUMBERS.....	163
348 CRANKSHAFT CASTING NUMBERS .....	163
348 RADIATOR HOSE NUMBERS.....	163
348 INTAKE MANIFOLD CASTING NUMBERS .....	163
348 EXHAUST MANIFOLD CASTING NUMBERS ...	163
348 STARTER NUMBERS .....	164
348 CARBURETOR NUMBERS.....	164
348 HORSEPOWER RATINGS .....	165
348 GENERATOR NUMBERS .....	166
348 BELL HOUSING CASTING NUMBERS .....	166
348 DISTRIBUTER NUMBERS .....	167
348 WATER PUMP CASTING NUMBERS.....	167
GENERAL INFORMATION.....	167
THE 409 ENGINE .....	168
409 BLOCK CASTING NUMBERS .....	168
409 HEAD DECK STAMPING CODE.....	168
409 FUEL PUMP NUMBERS .....	170
409 CARBURETOR NUMBERS.....	170
409 EXHAUST MANIFOLD CASTING NUMBERS ...	171
409 HEAD CASTING NUMBERS.....	171
409 CAMSHAFT CASTING NUMBERS.....	172
409 CRANKSHAFT CASTING NUMBERS .....	172
409 RADIATOR HOSE NUMBERS.....	172
409 INTAKE MANIFOLD CASTING NUMBERS.....	173
409 BELL HOUSING CASTING NUMBERS .....	173
409 HORSEPOWER RATINGS .....	174
409 BELL HOUSING CASTING NUMBERS .....	174
409 DISTRIBUTER NUMBERS .....	174
409 Generator, Alternator Numbers. .	174
409 STARTER NUMBERS .....	174
409 WATER PUMP CASTING NUMBERS.....	175
PRODUCTION OF 409 CARS .....	175
GENERAL INFORMATION.....	175
ENGINE NUMBER LOCATIONS .....	176

Go to [Show-Cars.com](http://Show-Cars.com) for updates and many more pictures



# 507-233-1958 Fax 507-354-1959 1-24 Catalog 161

## THE 348 ENGINE

- 373281158 EARLY WITHOUT WATER COOLED SPARK PLUGS
- 375187258 ALL HAVE SEEN WITH & WITHOUT WATER COOLED SPARK PLUGS
- 3755011..... 59-61ALL
- 377170559-62 REPLACEMENT BLOCK & TRUCK BLOCK
- 379896262-65 REPLACEMENT BLOCK & TRUCK BLOCK {HAS "X" ON BLOCK}
- 3857655. . .63-65 TRUCK BLOCK {HAS "X" ON BLOCK}

## 348 HEAD DECK STAMPING CODES

### 1958

F .....	250HP	1X4 BARREL CARBURETOR 3-SPE'ED MANUAL
TRANSMISSION		
FA .....	280HP	3X2 BARREL CARBURETORS 3-SPEED MANUAL
TRANSMISSION		
FD .....	305HP	1X4 BARREL CARBURETOR MANUAL TRANSMIS-
SION*		
GB .....	315HP	3X2 BARREL POWER GLIDE MANUAL*
GD .....	305HP	1X4 BARREL POWER GLIDE MANUAL*
H .....	250HP	1X2 BARREL TURBO GLIDE MANUAL
HA .....	280HP	3X2 BARREL TURBO GLIDE MANUAL
T .....	230HP TRUCK	
TA .....	230HP TRUCK	
U .....	230HP TRUCK	
UA .....	230HP TRUCK	
XXG.....	TRUCK	REPLACEMENT BLOCK

### 1959

F .....	250HP	1X4 BARREL CARBURETOR 3-SPEED MANUAL
FA .....	280HP	3X2 BARREL CARBURETORS 3-SPEED MANUAL
FB .....	315HP	3X2 BARREL 3-SPEED MANUAL TRANSMISSION*
FD .....	305HP	1X4 BARREL 3-SPEED MANUAL TRANSMISSION*
FE .....	335HP	3X2 BARREL 3-SPEED MANUAL TRANSMISSION*
FG .....	320HP	1X4 BARREL 3-SPEED MANUAL TRANSMISSION*
G .....	250HP	1X4 BARREL POWER GLIDE
GB .....	315HP	3X2 BARREL POWER GLIDE
GD .....	305HP	1X4 BARREL POWER GLIDE
H .....	250HP	1X4 BARREL TURBO GLIDE
HA .....	280HP	3X2 BARREL TURBO GLIDE
T .....	230HP TRUCK	
TA .....	230HP TRUCK	
U .....	230HP TRUCK	
UA .....	230HP TRUCK	

All prices subject to change without notice. Any installed part is not returnable

# Page 162 Show-Cars.com 1-24 Catalog

XXG..... TRUCK

REPLACEMENT BLOCK

## 1960

F ..... 250HP  
 FA ..... 280HP  
 FE ..... 335HP  
 FG ..... 320HP  
 FH ..... 350HP  
 FJ ..... 340HP  
 G ..... 250HP  
 GB ..... 315HP  
 GD ..... 305HP  
 H ..... 250HP  
 HA ..... 280HP  
 TC ..... 230HP TRUCK  
 TE ..... 230HP TRUCK  
 XXG..... TRUCK

1X4 BARREL 3 OR 4 SPEED MANUAL  
 3X2 BARREL 3 OR 4 SPEED MANUAL  
 3X2 BARREL 3 OR 4 SPEED MANUAL  
 1X4 BARREL 3 OR 4 SPEED MANUAL  
 3X2 BARREL 3 OR 4 SPEED MANUAL  
 1X4 BARREL 3 OR 4 SPEED MANUAL  
 1X4 BARREL POWER GLIDE MANUAL  
 3X2 BARREL POWER GLIDE MANUAL\*  
 1X4 BARREL POWER GLIDE MANUAL\*  
 1X4 BARREL TURBO GLIDE MANUAL  
 3X2 BARREL TURBO GLIDE MANUAL

REPLACEMENT BLOCK

## 1961

F ..... 250HP  
 FA ..... 280HP  
 FH ..... 350HP  
 FJ ..... 340HP  
 FL ..... 305HP  
 GD ..... 305HP  
 GE ..... 335HP  
 H ..... 250HP  
 HA ..... 280HP  
 TC ..... 230HP TRUCK  
 TE ..... 230HP TRUCK  
 TF ..... 230HP TRUCK  
 XXG..... TRUCK

1X4 BARREL 3 OR 4 SPEED MANUAL  
 3X2 BARREL 3 OR 4 SPEED MANUAL  
 3X2 BARREL 3 OR 4 SPEED MANUAL\*+  
 1X4 BARREL 3 OR 4 SPEED MANUAL\*+  
 1X4 BARREL 3 OR 4 SPEED MANUAL +  
 1X4 BARREL POWER GLIDE MANUAL\*  
 3X2 BARREL POWER GLIDE MANUAL\*  
 1X4 BARREL TURBO GLIDE MANUAL  
 3X2 BARREL TURBO GLIDE MANUAL

REPLACEMENT BLOCK

### FOOTNOTES:

\* FOR HIGH LIFT CAMSHAFT

+ FOR SPECIAL HIGH PERFORMANCE HEADS CAST 3781147

### 348 HEAD CASTING NUMBERS

58..... 3732791  
 59..... 3759256  
 58-60..... 3758379  
 60-61..... 3767738  
 60-61..... 3781147  
 .....  
 ?? ..... 3815857

{NO WATER COOL SPARK}  
 {NO WATER COOL SPARK}

{HIGH PERFORMANCE HEADS LARGER  
 VALVES}  
 TRUCK

Go to Show-Cars.com for updates and many more pictures

# 507-233-1958 Fax 507-354-1959 1-24 Catalog 163

?? ..... 3788555 TRUCK  
62-65 ..... 3819333 TRUCK

## 348 CAMSHAFT CASTING NUMBERS

58-61 ..... 3744430 250 280HP  
58-61 ..... 3755947 ALL SOLID LIFT  
58-61 ..... 3764665 POLICE SPECIAL

## 348 CRANKSHAFT CASTING NUMBERS

58. .... 3732692 AUTOMATIC AND MANUAL  
59-61 ..... 3741640 MANUAL  
59-61 ..... 3741642 AUTOMATIC  
58-61 ..... 3815822 MANUAL REPLACEMENT  
59-61 ..... 3824533 AUTOMATIC REPLACEMENT

348 CONNECTING RODS ARE 6.125" LONG - CENTER TO CENTER.

## 348 RADIATOR HOSE NUMBERS

1958. .... 3742374 LOWER  
1958. .... 3750390 UPPER 3X2  
1958. .... 3755917 UPPER 1X4  
1959. .... 3753752 LOWER  
1958. .... 3753748 UPPER 3X2  
1959-61 ..... 3754915 UPPER 1X4 WITHOUT AIR CONDITIONING

## 348 INTAKE MANIFOLD CASTING NUMBERS

58-59 1X4 CAST IRON WITH HIGH LIFT CAM . . 3770084  
58-59 1X4 CAST IRON WITHOUT HIGH LIFT CAM 3760436  
61 4 BARREL CAST IRON ALSO 409 ..... 3767579  
61 1X4 CAST IRON 305 HP 4 SPEED ..... 3769937  
60-61 1X4 CAST IRON 305 HP W/ POWERGLIDE 3770083  
59-60 1X4 CAST IRON HIGH PERFORMANCE . 3797775  
58-61 3X2 CAST IRON 1ST DEGREE W/O BYPASS (58) -2ND DESIGN W/ BYPASS 3749948  
58-62 1X4 CAST IRON 250HP ..... 3732757  
58-59 1X4 ALUMINUM HIGH PERFORMANCE . 3780540  
60-61 1X4 ALUMINUM HIGH PERFORMANCE . 3753748  
61 1X4 ALUMINUM ..... 3767579  
60-61 1X4 CAST IRON ..... 3772265  
58-61 1X4 CAST IRON TRUCK ..... 3782757  
62-65 1X4 CAST IRON TRUCK ..... 3844472

## 348 EXHAUST MANIFOLD CASTING NUMBERS

58-61 250-280HP {AND 1958 315-305HP}  
DRIVER'S SIDE ..... 3732793

All prices subject to change without notice. Any installed part is not returnable

# Page 164 Show-Cars.com 1-24 Catalog

PASSENGER'S SIDE ..... 3732794  
59-61 {305-315-320-340HP}  
DRIVER'S SIDE ..... 3767583  
PASSENGER'S SIDE ..... 3767584  
NOTE: THESE ARE THE SAME MANIFOLD FOUND ON 61 409

## 348 STARTER NUMBERS

1958  
ALL TURBO GLIDE ..... 1107688  
POWER GLIDE AND MANUAL ... 1107687 1ST DESIGN  
POWER GLIDE AND MANUAL 1107712 2ND DESIGN FOR ALL HIGH LIFT CAMSHAFT

## 1959

POWER GLIDE AND MANUAL 1107688 ALL EXCEPT HIGH LIFT CAMSHAFT  
ALL TURBO GLIDE ..... 1107687  
POWER GLIDE AND MANUAL 1107712 ALL WITH HIGH LIFT CAMSHAFT

## 1960

ALL TURBO GLIDE ..... 1107687  
POWER GLIDE AND MANUAL ..... 1107688

## 1961

ALL TURBO GLIDE ..... 1107687  
POWER GLIDE AND MANUAL ..... 1107688

## 348 CARBURETOR NUMBERS

1958.....	250HP	
CARTER WCFB .....	2656	MANUAL TRANSMISSION
CARTER WCFB .....	2657	MANUAL TRANSMISSION
ROCHESTER .....	7011108	AUTOMATIC ONLY
MIDDLE.....	7011952	AUTOMATIC {7012503 MANUAL}
REAR .....	7011953	

## 1958. . . . 3X2 CARS BUILT AFTER 1/15/58

FRONT .....	7012851	
MIDDLE.....	7011952	AUTOMATIC {7012503 MANUAL}
REAR .....	7012853	

## 1959..... 250HP

CARTER WCFB .....	2816S	AUTOMATIC
CARTER WCFB .....	2817S	MANUAL
ROCHESTER .....	7019006	AUTOMATIC ONLY

Go to [Show-Cars.com](http://Show-Cars.com) for updates and many more pictures

# 507-233-1958 Fax 507-354-1959 1-24 Catalog 165

## 1959 305-320HP

CARTER AFB ..... 2897S

## 1959-61 280-315HP 3X2

ROCHESTER

FRONT ..... 7013015

MIDDLE..... 7013016

..... 7013026

..... 7013020

REAR ..... 7013017

AUTOMATIC WITHOUT AIR  
AUTOMATIC WITH AIR  
MANUAL ALL

## 1959-61 335-350HP 3X2

ROCHESTER

FRONT ..... 7013973

MIDDLE..... 7013974

REAR ..... 7013975

## 1960-61 250HP

CARTER WCFB ..... 3061

CARTER WCFB ..... 3060

ROCHESTER ..... 7019006

AUTOMATIC  
STANDARD  
AUTOMATIC ONLY

## 1960-61 305-320-340HP

CARTER AFB ..... 3012S

## 1961 305-320-340HP LATE

CARTER AFB ..... 3221S

## 348 HORSEPOWER RATINGS

### 1958-61

250 HP @ 4400 RPM ONE FOUR BARREL

9.5:1 COMPRESSION (HYDRAULIC LIFT CAMSHAFT)

TORQUE 356 @ 3600 RPM

### 1958-61

280 HP @ 4800 RPM THREE TWO BARREL

9.5:1 COMPRESSION (HYDRAULIC LIFT CAMSHAFT)

All prices subject to change without notice. Any installed part is not returnable

# Page 166 Show-Cars.com 1-24 Catalog

TORQUE 355 @ 3600 RPM

## 1958-61

305 HP @ 5600 RPM ONE FOUR BARREL

11:1 COMPRESSION (SOLID LIFT CAMSHAFT) \*EXCEPT 61 FL STAMP TORQUE 350 @ 3600 RPM

## 1958

315 HP @ 5600 RPM (POLICE SPECIAL) ONE FOUR BARREL

11:1 COMPRESSION (SOLID LIFT CAMSHAFT)

TORQUE 356 @ 3600 RPM

## 1958-61

315 HP @ 5600 RPM THREE TWO BARREL

11:1 COMPRESSION (SOLID LIFT CAMSHAFT)

TORQUE 356 @ 3600 RPM

## 1959-60

320 HP @ 5600 RPM ONE FOUR BARREL

11.25:1 COMPRESSION (SOLID LIFT CAMSHAFT)

TORQUE 358 @ 3600 RPM

## 1959-61

335 HP @ 5800 RPM THREE TWO BARREL

11.25:1 COMPRESSION (SOLID LIFT CAMSHAFT)

TORQUE 362 @ 3600 RPM

## 1960-61

340 HP @ 5800 RPM ONE FOUR BARREL

11.25:1 COMPRESSION (SOLID LIFT CAMSHAFT)

TORQUE 362 @ 3600 RPM

1960-61 350 HP @ 6000 RPM

THREE TWO BARREL

11.25:1 COMPRESSION (SOLID LIFT CAMSHAFT) . . . .

TORQUE 362 @ 3600 RPM . . . . .

## 348 GENERATOR NUMBERS

58-62 ALL EXCEPT POWER STEERING OR HIGH LIFT CAMSHAFT 1102174

58-62 ALL WITH HIGH LIFT CAMSHAFT OR POWER STEERING 1102268

## 348 BELL HOUSING CASTING NUMBERS

1958-1ST . . . . . 3741311 CAST IRON GM PART # 3750809

**Go to Show-Cars.com for updates and many more pictures**

# 507-233-1958 Fax 507-354-1959 1-24 Catalog 167

1958-2ND 3771733... CAST IRON GM PART # 3755553  
1959-1961 3771733 .. CAST IRON GM PART # 3755553  
1960-61..... 3779553

ALUMINUM GM PART # 3785644

## 348 DISTRIBUTER NUMBERS

1958.....1110930  
1959-60.....1110948  
1959-61.....1110919

ALL  
305-315HP  
305-315-320-335-340-350HP (NOTE: DUAL POINT)

## 348 WATER PUMP CASTING NUMBERS

1958..... 3732748  
1958..... 3732750  
1959-60..... 3755797  
1961..... 3765787

NO BY PASS  
WITH BY PASS

ALL 348 WATER PUMPS ARE SMALL BEARING SHORT PUMPS.

## General Information

INTERNALLY BALANCED

CUBIC INCH..... 348

BORE.....4.125

STROKE.....3.25

FIRING ORDER..... 1-8-4-3-6-5-7-2

SPARK PLUGS AC44-STANDARD, AC45-HOTTER, AC43-COLDER

PLUG GAP......035

CRANKSHAFT MAINS.....2.4977

CRANKSHAFT RODS.....2.199

CONNECTING ROD LENGTH.....6.125

HEAD BOLTS..... 7/16" - 14 X 3 7/16", 16 SHORT

HEAD BOLTS..... 7/16" - 14 X 4 3/16", 20 LONG

ALL 348 CRANKSHAFT ARE FORGED - HAS A ROUND FLYWHEEL FLANGE

ENGINE WEIGHT APPROXIMATELY 650 POUNDS

ROCKER ARM RATIO ... 1.75 - 1

DIPSTICK IS ON DRIVER SIDE

ALL 348'S WERE ASSEMBLED IN TONAWANDA NEW YORK

PUSH RODS

5/16 EXHAUST = LONG 9.140

5/16 INTAKE = SHORT 8.772

FUEL PUMP PUSH ROD LENGTH = 5.750

ALL 348S ARE INTERNALLY BALANCED

All prices subject to change without notice. Any installed part is not returnable

# The 409 Engine

## 409 BLOCK CASTING NUMBERS

1961.....3795623\*

\*THERE ARE MANY QUESTIONS SURROUNDING THE 61 CASTING NUMBERS. FIRST OF ALL, THE 61 CASTING NUMBER (THE CORRECT ONE) IS A HIGHER NUMBER THAN THE '62 CASTING NUMBER. THIS IS BECAUSE THE 409 WAS NOT SCHEDULED TO MAKE ITS INITIAL APPEARANCE UNTIL THE 1962 MODEL YEAR. BECAUSE OF INCREASING PRESSURE FROM SOURCES SUCH AS THE FORD 390 AND THE PONTIAC 421 AS WELL AS THE CHANGE IN NASCAR RULES OUTLAWING MULTIPLE CARBURETOR SET-UPS, THE 409 WAS BROUGHT OUT EARLY IN A DOWN-TUNED VERSION THAT COULD BE CONCEIVED AS A BORED AND STROKED 348 ALTHOUGH THE 348 WATER JACKETS WERE TOO THIN TO TAKE THE OVER-BORE NEEDED. THIS IS ALL DOCUMENTED AND FACTUAL INFORMATION. THE FOLLOWING IS A THEORY WE HAVE DEVELOPED BASED ON THOSE FACTS.

THERE WERE FIVE DIFFERENT POSSIBILITIES OF CASTING NUMBERS FOR THE '61 MODEL BASED ON DIFFERENT SITUATIONS.

1. CASTING NUMBER 3795623 WAS THE WAY THAT GM INTENDED THE CASTING NUMBER TO READ.
2. CASTING NUMBER 3995623 WAS MOST LIKELY A MISTAKE. GM DID NOT USE CASTING NUMBERS IN THE 3900000S UNTIL THE '65 MODEL YEAR AND THEREFORE '61 ENGINES WITH THIS NUMBER WERE PROBABLY THE RESULT OF THE WRONG NUMBER BEING CAST.
3. CASTING NUMBER 3795623 WITH THE 7 STAMPED IN. THIS WAS PROBABLY ONE OF THE MISCAST ENGINES THAT WAS CAUGHT BEFORE IT WENT OUT. THE INCORRECT 9 WAS GROUND OFF AND THE 7 STAMPED IN TO MAKE IT CORRECT.
4. CASTING NUMBER 3788086. THAT IS, OF COURSE, THE '62 CASTING NUMBER AND IS DOUBTFUL BUT NOT IMPOSSIBLE THAT ANY OF THE '62S MADE IT INTO THE '61 AUTOMOBILES.
5. 3795623 ALL STAMPED INTO THE BLOCK. WE HAVE SEEN THIS BEFORE AND IN MOST CASES FEEL THAT IT IS PROBABLY AN ATTEMPT AT A COUNTERFEIT ALTHOUGH IT MAY BE POSSIBLE THAT GM TOOK SOME 3788068S LATE IN THE MODEL YEAR AND GROUND THEM DOWN, AND MADE THEM READ 3795623.

WE BELIEVE THAT MOST OF THE 61 409 BLOCKS WERE CAST IN DEC.1960 AND THAT PRODUCTION WAS HALTED TEMPORARILY BY MAY 1961.

1961.....	3795623	ONLY 142 WERE CAST
1962.....	3788068	
1963.....	3830814	HAS "X" ON BLOCK
1964.....	3844422	HAS "X" ON BLOCK
1965.....	3857656	HAS "X" ON BLOCK CAR OR TRUCK

## 409 HEAD DECK STAMPING CODE

### 1961

Q .....	360HP	1X4 BARREL CARBURETOR MANUAL
QA .....	360HP	1X4 BARREL CARBURETOR MANUAL
XXG.....	TRUCK	REPLACEMENT BLOCK

Go to Show-Cars.com for updates and many more pictures



# 507-233-1958 Fax 507-354-1959 1-24 Catalog 169

## 1962

IJ ..... MARINE APPLICATIONS  
 QA ..... 380HP  
 QB ..... 409HP  
 QD ..... TRUCK  
 QE ..... TRUCK  
 TC ..... 348 /230HP TRUCK  
 TE ..... 348 /220HP TRUCK  
 TF ..... 348 220HP TRUCK  
 XXG ..... TRUCK

1X4 BARREL CARBURETOR MANUAL  
 2X4 BARREL CARBURETORS MANUAL

REPLACEMENT BLOCK

## 1963

IJ ..... MARINE APPLICATIONS  
 QA ..... 400HP  
 QB ..... 425HP  
 QC ..... 340HP  
 QG ..... 340HP  
 QM ..... 435HP  
 .....  
 QJ ..... TRUCK  
 QD ..... TRUCK  
 QE ..... TRUCK  
 TC ..... 348 /230HP TRUCK  
 TE ..... 348 /220HP TRUCK  
 TF ..... 348 /220HP TRUCK  
 XXG ..... TRUCK

1X4 BARREL CARBURETOR MANUAL  
 2X4 BARREL CARBURETORS MANUAL  
 1X4 BARREL CARBURETOR MANUAL  
 1X4 BARREL CARBURETOR POWERGLIDE  
 2X4 BARREL CARBURETORS MANUAL RPO Z-11  
 427CI

REPLACEMENT BLOCK

## 1964

IJ ..... MARINE APPLICATIONS  
 QA ..... 400HP  
 QB ..... 425HP  
 QC ..... 340HP  
 QG ..... 340HP  
 QN ..... 400HP  
 .....  
 QP ..... 425HP  
 .....  
 QQ ..... 340HP  
 .....  
 QR ..... 340HP  
 .....  
 QJ ..... TRUCK  
 QD ..... TRUCK

1X4 BARREL CARBURETOR MANUAL  
 2X4 BARREL CARBURETORS MANUAL  
 1X4 BARREL CARBURETOR MANUAL  
 1X4 BARREL CARBURETOR POWERGLIDE  
 1X4 BARREL CARBURETOR MANUAL TRANSISTOR  
 IGNITION  
 2X4 BARREL CARBURETORS MANUAL TRANSISTOR  
 IGNITION  
 1X4 BARREL CARBURETOR MANUAL TRANSISTOR  
 IGNITION  
 1X4 BARREL CARBURETOR POWERGLIDE TRAN  
 SISTOR IGNITION

**All prices subject to change without notice. Any installed part is not returnable**

# Page 170 Show-Cars.com 1-24 Catalog

QE ..... TRUCK  
 TC ..... 348 /230HP TRUCK  
 TE ..... 348 /220HP TRUCK  
 TF ..... 348 /220HP TRUCK  
 XXG..... TRUCK

## 1965

IJ .....MARINE APPLICATIONS  
 JA ..... 400HP  
 JB ..... 340HP  
 JC ..... 340HP  
 .....  
 JD ..... 400HP  
 .....  
 JE ..... 340HP  
 JF ..... 340HP  
 .....  
 QJ ..... TRUCK  
 QD ..... TRUCK  
 QE ..... TRUCK  
 XXG..... TRUCK  
 YM ..... 348 /220HP  
 YP ..... 348 /220HP

## 409 FUEL PUMP NUMBERS

1961.....  
 1962.....  
 1963.....  
 1964.....  
 1965.....

## 409 CARBURETOR NUMBERS

1961..... 360HP  
 1962..... 380HP  
 63-65..... 340HP  
 1963..... 340HP 4-GC - STANDARD  
 1963..... 340HP 4-GC - MANUAL  
 1963..... 400HP  
 1964..... 340HP 4-GC - MANUAL TRANS. EARLY  
 1964..... 340HP 4-GC - AUTO TRANS. EARLY

## REPLACEMENT BLOCK

1X4 BARREL CARBURETOR MANUAL  
 1X4 BARREL CARBURETOR MANUAL  
 1X4 BARREL CARBURETOR MANUAL TRANSISTOR  
 IGNITION  
 1X4 BARREL CARBURETOR MANUAL TRANSISTOR  
 IGNITION  
 1X4 BARREL CARBURETOR POWERGLIDE  
 1X4 BARREL CARBURETOR POWERGLIDE TRAN  
 SISTOR IGNITION

## REPLACEMENT BLOCK

AC DELCO	3799
AC DELCO	4657
AC DELCO	6842
AC DELCO	6842
AC DELCO	6842

CARTER AFB 3270S  
 CARTER AFB 3345SA  
 USED ROCHESTER 4-GC  
 7020024  
 7020023  
 CARTER AFB 3499S  
 7024123  
 7024124 3499S

Go to Show-Cars.com for updates and many more pictures

# 507-233-1958 Fax 507-354-1959 1-24 Catalog 171

1964.....	340HP 4-GC - MANUAL TRANS. LATE	7024127
1964.....	340HP 4-GC - AUT. TRANS. LATE	7024128
1964.....	400HP	CARTER AFB 3499S
1962-1964.....	TWO FOUR BARREL CARBURETORS	
.....	CARTER AFB	3361S FRONT
.....	CARTER AFB	3362S REAR (AFTER 11/18/63, 3804 REPLACES REAR CARBURETOR FOR THE 1964 MODEL YEAR)
1965.....	400HP	CARTER AFB 3783S
1965.....	340HP 4-GC - MANUAL	7025123
1965.....	340HP 4-GC - AUT. TRANS.	7025124

## 409 EXHAUST MANIFOLD CASTING NUMBERS

1961 360HP	
3767584.....	PASSENGER SIDE
3767583.....	DRIVER'S SIDE
1962 380HP AND 409HP-UNTIL MID APRIL 1962	
3814682.....	PASSENGER SIDE
3814683.....	DRIVER'S SIDE
1962-1964 380HP 400HP 409HP 425HP	
3822926.....	PASSENGER SIDE
3822925.....	DRIVER'S SIDE
1962 LATE PART OF SERVICE PACKAGE IDENTICAL TO 3822925	
3822924.....	PASSENGER SIDE
3822923.....	DRIVER SIDE
1963-1964 340HP	3788604 - PASSENGER SIDE TRUCK CAN BE
DRILLED FOR CHOKE TUBE	
3814682.....	PASSENGER SIDE
3814683.....	DRIVER'S SIDE
1965 400HP AND 340HP	
3855162.....	PASSENGER SIDE
3855161.....	DRIVER'S SIDE

## 409 HEAD CASTING NUMBERS

1961.....	360HP	3795586 - FLOW RATE 215 C.F.M. WITH 2.19/1.72 VALVES 230 C.F.M.
1962.....	380HP 409HP	3814690 - FLOW RATE 260 C.F.M.
1963.....	400HP 425HP	3814690 - FLOW RATE 260 C.F.M.

All prices subject to change without notice. Any installed part is not returnable

# Page 172 Show-Cars.com 1-24 Catalog

1963.....	340HP	3830817 - FLOW RATE 215 C.F.M. WITH 2.19/1.72 VALVES 230 C.F.M.
1963.....	435HP RPO Z11	3837731 - FLOW RATE 215 C.F.M. WITH 2.19/1.72 VALVES 230 C.F.M.
1964.....	400HP 425HP	3814690 UNTIL NOVEMBER 12, 1963 - FLOW RATE 260 C.F.M.
1964.....	400HP 425HP	3852583 AFTER NOVEMBER 12, 1963 - FLOW RATE 260 C.F.M.
1964.....	340HP	3830817 - FLOW RATE 215 C.F.M. WITH 2.19/1.72 VALVES 230 C.F.M.
1965.....	400HP	3852583 - FLOW RATE 260 C.F.M.
1965.....	340HP	3830817 - FLOW RATE 215 C.F.M. WITH 2.19/1.72 VALVES 230 C.F.M.
1962-1965 TRUCK		3819333 - FLOW RATE 180 C.F.M. WITH 2.19/1.72 VALVES 230 C.F.M.

215 C.F.M. WILL SUPPORT 400 H.P.  
 230 C.F.M. WILL SUPPORT 450 H.P.  
 260 C.F.M. WILL SUPPORT 525 H.P.  
 300 C.F.M. WILL SUPPORT 600 H.P.

## 409 CAMSHAFT CASTING NUMBERS

1961.....	360HP	3796077
1962.....	380HP 409HP	3796077 UNTIL MID APRIL
1963.....	400HP 425HP	3822930 AFTER APRIL 1962
1963.....	RPO Z-11 435HP	3837446
1963.....	340HP	3838416
1964.....	400HP 425HP	3822930 UNTIL NOVEMBER 12 1963
1964.....	400HP 425HP	3837446
1964.....	340HP	3838416
1965.....	400 HP	3837446
1965.....	340HP	3838416

## 409 CRANKSHAFT CASTING NUMBERS

1961 ALL.....		3788072
1962 ALL.....		3795589
1963 ALL EXCEPT RPO Z-11		3829027
1963 RPO Z-11 435HP		3837466
1964-1965 ALL		3838416
OTHER CASTING NUMBERS WE HAVE FOUND:		0819, 3787072, 3824554, 3338396, 0-191561

ALL CASTING NUMBERS WILL INTERCHANGE EXCEPT THE Z11 – 3837466

## 409 RADIATOR HOSE NUMBERS

1961-1964 WITHOUT AIR.....	GM-AU 3780334	UPPER
----------------------------	---------------	-------

**Go to Show-Cars.com for updates and many more pictures**

# 507-233-1958 Fax 507-354-1959 1-24 Catalog 173

1963-1964 WITH AIR .....	GM-AU 3834733	UPPER
1961-1964 ALL .....	GM-AU 3753752	LOWER
<b>409 INTAKE MANIFOLD CASTING NUMBERS</b>		
1961.....360HP	1X4 3767579	ALUMINUM
1961.....360HP	1X4 3797776	ALUMINUM (PART OF SER
.....	VICE PACKAGE)	
1962.....380HP	1X4 3814678	ALUMINUM
1962.....409HP	2X4 3814881	ALUMINUM
1962.....NASCAR	1X4 3822983	ALUMINUM
1962.....SERVICE	1X4 3822929	ALUMINUM (PART OF SER-
VICE PACKAGE)		
1963.....NASCAR	1X4 3822983	ALUMINUM
1963.....340HP	1X4 3830831	CAST IRON
1963.....340HP	4 BBL (ROCHESTER) 3794129	CAST IRON
1963.....400HP	1X4 3814678	ALUMINUM
1963.....425HP	2X4 TOP - 3814881	ALUMINUM
1963.....425HP	2X4 BOTTOM- 3837733	ALUMINUM
1963.....435HP	2X4 3830623	ALUMINUM
1964.....340HP	1X4 3844465	CAST IRON
1964.....340HP	4 BBL (ROCHESTER) CAST IRON	3844464
.....	CAST IRON	
1964.....400HP	1X4 3844463	ALUMINUM
1964.....425HP	2X4 3814881	ALUMINUM
1965.....340HP	1X4 3844465	CAST IRON
1965.....400HP	1X4 3844463	ALUMINUM
1962-65 TRUCK .....	1X4 3844472	CAST IRON
<b>409 BELL HOUSING CASTING NUMBERS</b>		
1963.....3779553	ALUMINUM	GM PART # 3785644
1964.....3842942	ALUMINUM	
1965.....3866983	ALUMINUM	
1961-1965.....3899621	GM REPLACEMENT (NOT CORRECT, BUT FUNC	TIONAL)
.....		
<b>409 HORSEPOWER RATINGS</b>		
1961 360 HP @ 5800 RPM SINGLE FOUR BARREL 11.25:1 COMPRESSION (SOLID LIFT CAMSHAFT)	TORQUE-409 @ 3600	
.....		
1962 380 HP @ 5800 RPM SINGLE FOUR BARREL 11:1 COMPRESSION (SOLID LIFT CAMSHAFT)	TORQUE-420 @ 3200	
.....		
1962 409HP @ 6000RPM DUAL FOUR BARREL 11-1 COMPRESSION (SOLID LLIFT CAMSHAFT) TORQUE 420 @	4000 RPM	
.....		

**All prices subject to change without notice. Any installed part is not returnable**

# Page 174 Show-Cars.com 1-24 Catalog

1963-65 340 HP @ 5000 RPM SINGLE FOUR BARREL 10:1 COMPRESSION (HYDRAULIC LIFT CAMSHAFT)  
 ..... TORQUE-420 @ 3200

1963-65 400 HP @ 5800 RPM SINGLE FOUR BARREL 11:1 COMPRESSION (SOLID LIFT CAMSHAFT)  
 ..... TORQUE-425 @ 3600

1963-64 425 HP @ 6000 RPM DUAL FOUR BARREL 11:1 COMPRESSION (SOLID LIFT CAMSHAFT)  
 ..... TORQUE-425 @ 4200

## 409 BELL HOUSING CASTING NUMBERS

1961.....	3779553	ALUMINUM	GM PART # 3785644
1962.....	3779553	ALUMINUM	GM PART # 3785644
1963.....	3779553	ALUMINUM	GM PART # 3785644
1964.....	3842942	ALUMINUM	
1965.....	3866983	ALUMINUM	
1961-1965.....		3899621-GM REPLACEMENT-{NOT CORRECT BUT FUNCTIONAL}	

## 409 DISTRIBUTER NUMBERS

1961.....	1110919	ALL
1962.....	1110919	ALL
1963.....	1111023	ALL
1964.....	1111059	WITH 340HP TRANSISTOR IGNITION
1964.....	1111086	400HP 425HP WITH TRANSISTOR IGNITION
1964.....	1111085	ALL HIGH PERFORMANCE EXCEPT TRANSISTOR IGNITION
.....		
1965.....	1111023	ALL 340HP EXCEPT TRANSISTOR IGNITION
1965.....	1111059	ALL 340HP WITH TRANSISTOR IGNITION
1965.....	1111085	ALL HIGH PERFORMANCE EXCEPT TRANSISTOR IGNITION
.....		
1965.....	1111086	ALL HIGH PERFORMANCE WITH TRANSISTOR IGNITION

## 409 GENERATOR, ALTERNATOR NUMBERS

1961-1962.....	1102268	35 AMP GENERATOR
1962-1965.....	1100842	42 AMP ALTERNATOR
1962-1965.....	1100694	52 AMP ALTERNATOR
1962-1965.....	1117765	62 AMP ALTERNATOR ALL EXCEPT TRANSISTOR IGNITION
.....		
1964-1965.....	1100697	60 AMP ALTERNATOR WITH TRANSISTOR IGNITION

## 409 STARTER NUMBERS

1961-1963.....	1107688	ALL HIGH PERFORMANCE
1963.....	1107286	ALL 340HP WITH MANUAL TRANSMISSION

Go to Show-Cars.com for updates and many more pictures

# 507-233-1958 Fax 507-354-1959 1-24 Catalog 175

1964-1965 ..... 1107342 ALL (1107289 IS 63 WITH POWERGLIDE)

## 409 WATER PUMP CASTING NUMBERS

1963 Z-11 ..... 3837691 ALUMINUM  
 1961-1964 ..... 3765787-3837691 - 3765787 -

THIS IS A SMALL BEARING SHORT WATER PUMP, IT USES A 1.165 OD X 4.700 BEARING. IT IS 5.500 LONG FROM BLOCK FLANGE TO FAN. THE OD OF THE BEARING CASTING IS 1.625 + OR - .100, CASTINGS VARY IN SIZE.

1964 (LATE) - 1965 ..... 3850141

THE 3850141 IS THE BIG BEARING OR LONG WATER PUMP. IT HAS A 1.5 X 4.930 BEARING AND IS 5.875 LONG FROM BLOCK FLANGE TO FAN. THE OD OF THE BEARING CASTING IS 2.100 + OR - .100, CASTINGS VARY IN SIZE. THE PULLEYS FOR THIS PUMP (3850141) ARE OFF SET 3/8" DEEPER AND HAVE BEEN VERY HARD TO FIND.

## PRODUCTION OF 409 CARS

1961.....	00142
1962.....	15019
1963.....	16902
1964.....	08864
1965.....	02828
TOTAL.....	43755

## GENERAL INFORMATION

BORE .....	4.3125 INCHES
STROKE .....	3.5 INCHES
FIRING ORDER .....	1-8-4-3-6-5-7-2
HEAD BOLTS .....	7/16" - 14 X 3 7/16", 16 SHORT
HEAD BOLTS .....	7/16" - 14 X 4 3/16", 20 LONG
PUSH RODS EXHAUST LONG 9.140 INTAKE SHORT 8.772	
FUEL PUMP PUSH ROD .....	5.750 LONG

SPARK PLUGS.....	AC44 STANDARD	AC45 HOTTER AC43 COLDER
SPARK PLUG GAP .....	.035	
CRANK SHAFT MAINS .....	2.4977	
CRANK SHAFT RODS.....	2.100	
CONNECTING ROD LENGTH .....	6.000	
CONNECTING ROD WEIGHT .....	25.025 OZS.	

ALL 409 CRANKSHAFTS ARE FORGED HAS A BELL SHAPE FLYWHEEL BOLT FLANGE

ENGINE WEIGHT APPROX. .... 650 LBS.

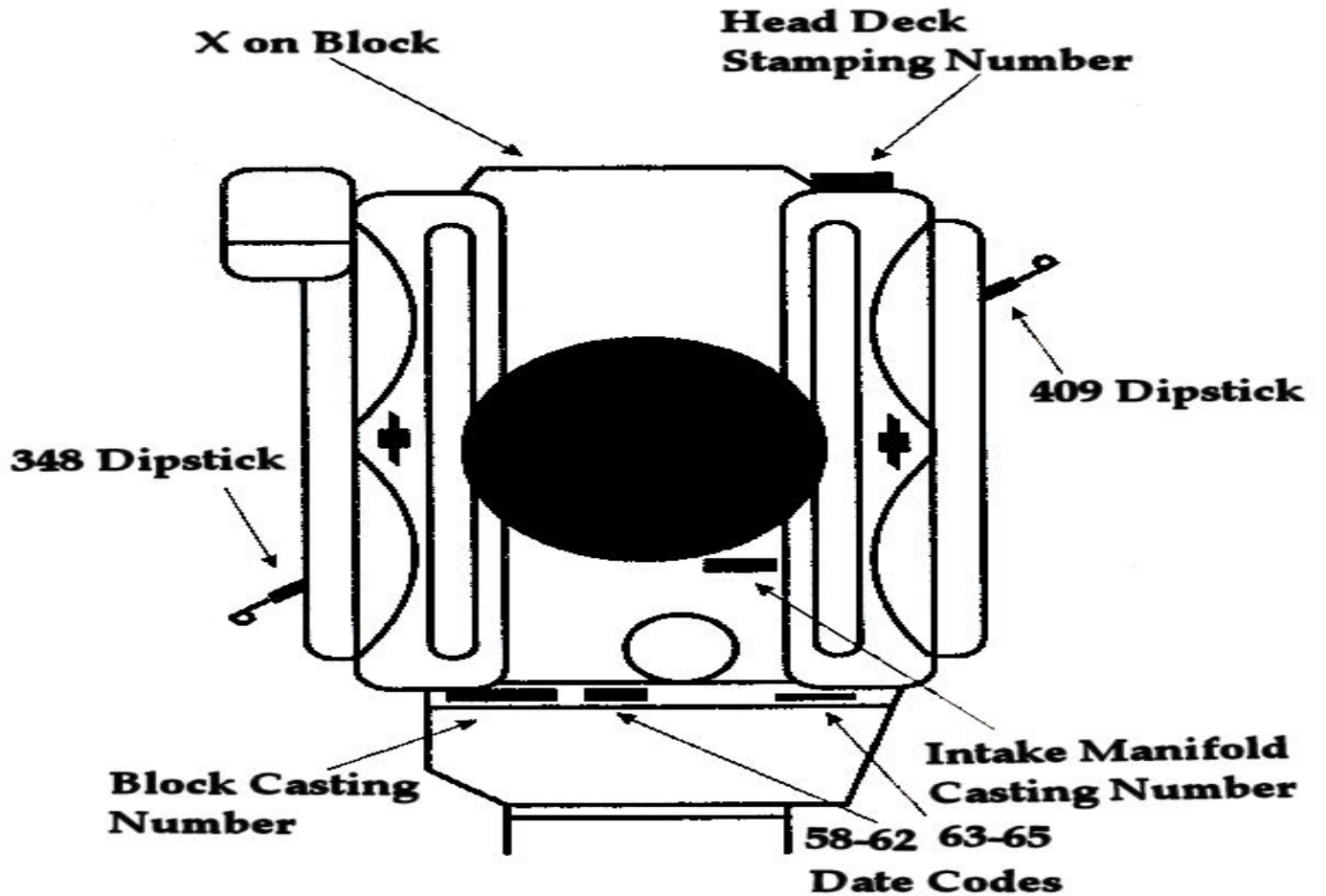
ROCKER ARM RATIO .....

1.75 - 1  
 DIPSTICK IS ON PASSENGER SIDE

409S WERE ASSEMBLED IN TONAWANDA NEW YORK

**All prices subject to change without notice. Any installed part is not returnable**

# Engine Number Locations



MOTOR ASSEMBLY PLANT .....MONTH      DAY      HP AND TRANS CODE  
T (TONAWANDA, NY)                              01      23                              QB

Go to Show-Cars.com for updates and many more pictures



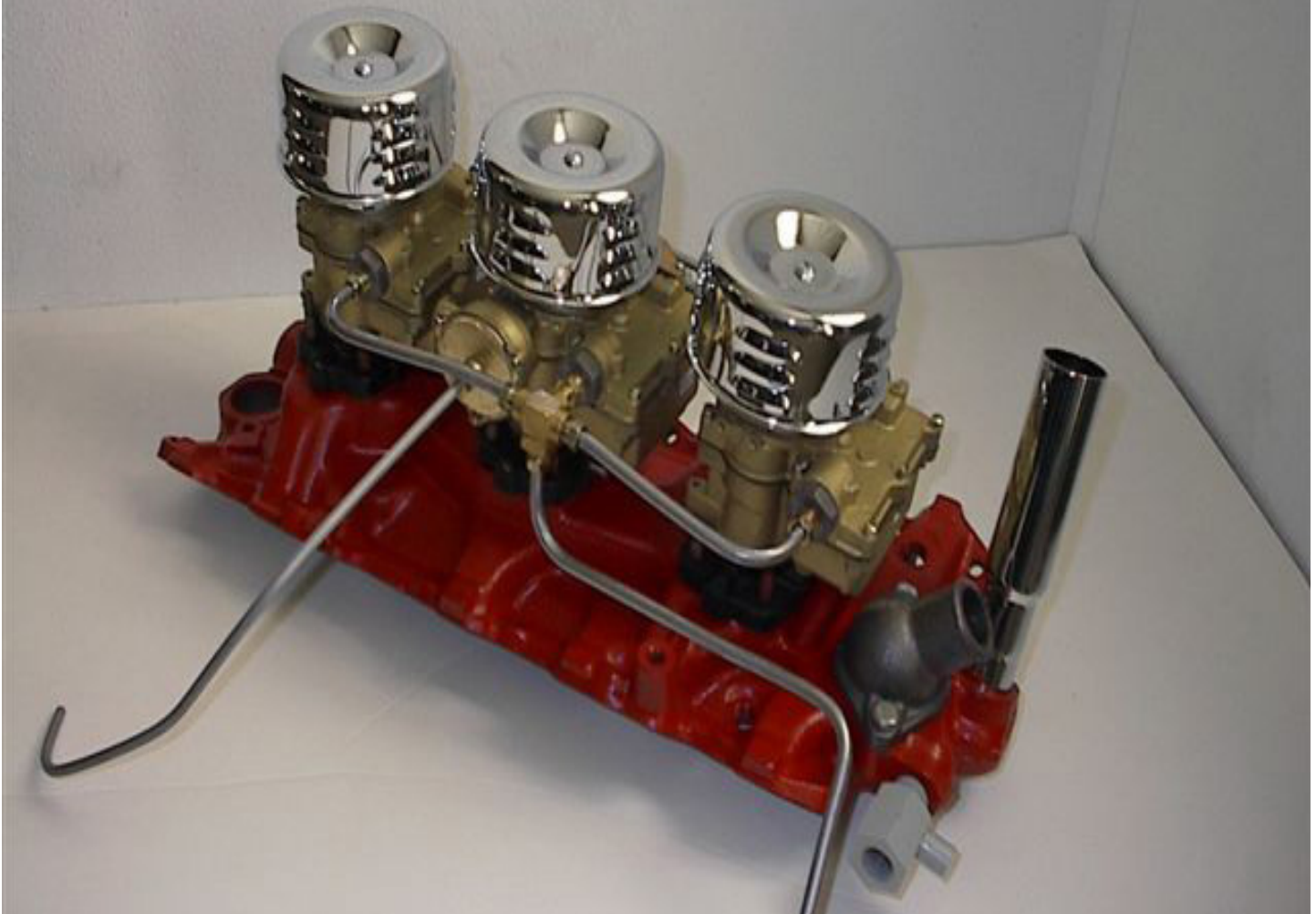


## Show Cars Part #8829

All prices subject to change without notice. Any installed part is not returnable

Page 178 Show-Cars.com 1-24 Catalog

**SHOW CARS 507-233-1958**



Go to [Show-Cars.com](http://Show-Cars.com) for updates and many more pictures

# 507-233-1958 Fax 507-354-1959 1-24 Catalog 179



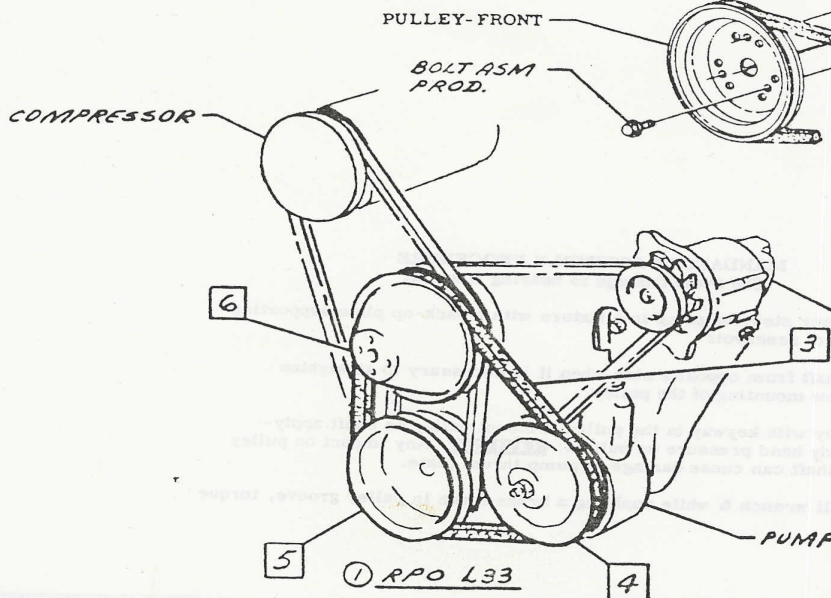
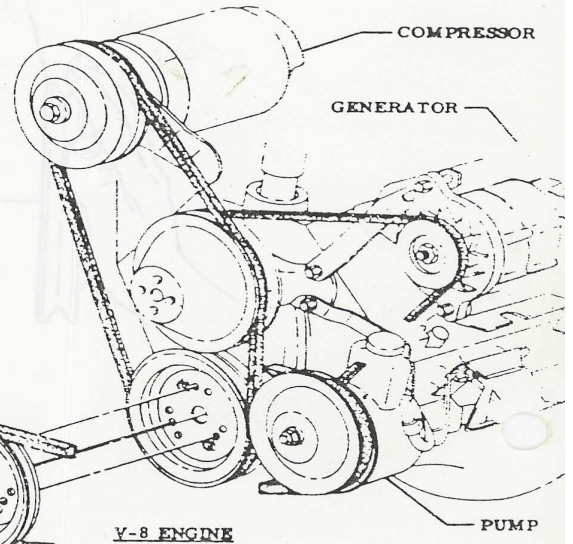
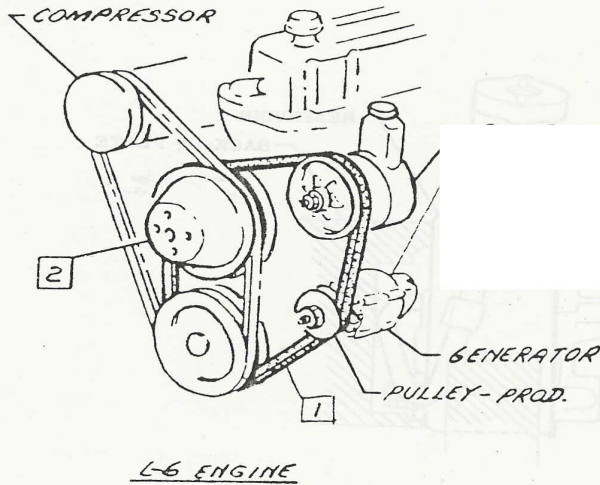
CHEVROLET

ASSEMBLY INSTRUCTIONS

3823000 CHEVROLET 1000, SERIES

- 1 3792961 BELT
- 2 3791684 PULLEY
- 3 3837254 BELT

- 4 3770509 PULLEY ASM
- 5 3751232 PULLEY ASM
- ② 6 3840465 PULLEY

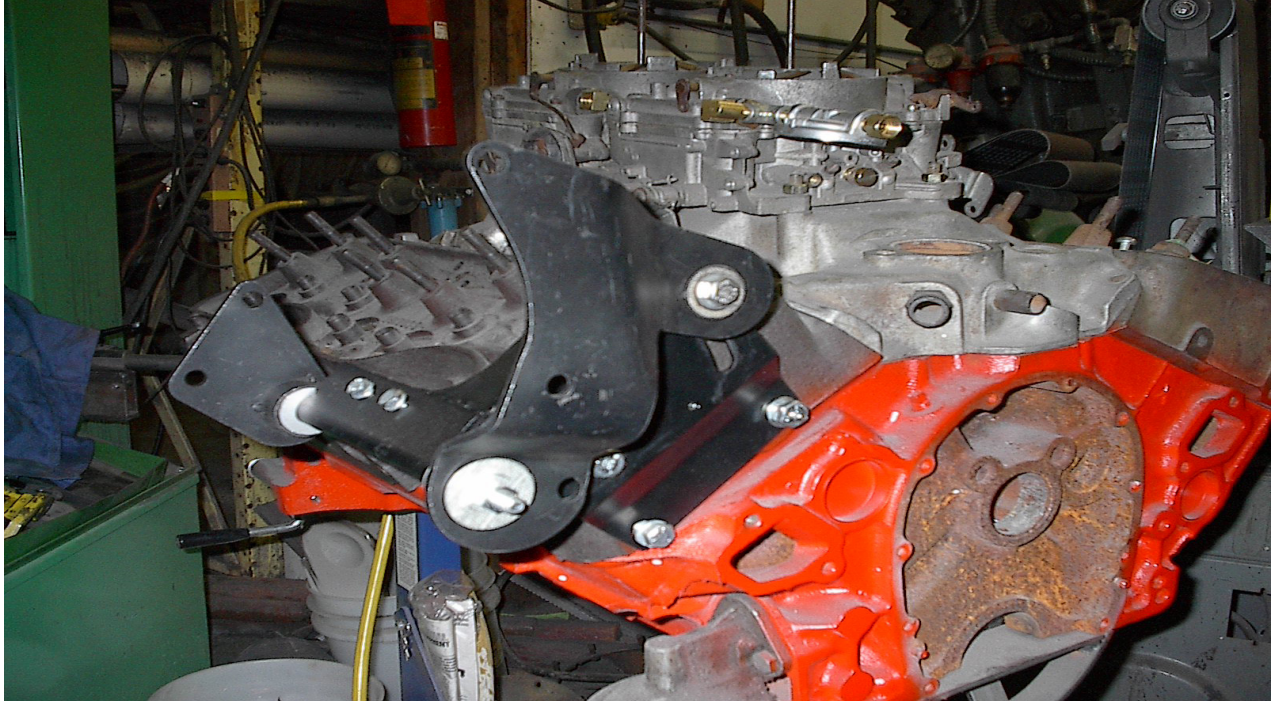


NOTE FOR BELT TENSION SEE SECTION O.

AAA

CHEVROLET MOTOR DIVISION						GENERAL MOTORS CORPORATION			
DATE	SYM.	REVISION RECORD	ECR	DR.	CK.				
11-21-62	1	RPO L33 VIEW ADDED	48310	JA	DP	5-10-63	3	GEN. NOTE ADDED	5497
1-2-63	2	WAS 3755819 PULLEY	51082	WS	DS				
REL 5-18-62 JA MODELS: 1000 L.D. ONLY						SECT. SHEET			
REF PRELIM 6 TITLE: HYDRAULIC STEERING - AIR CONDITIONING									

All prices subject to change without notice. Any installed part is not returnable



Go to [Show-Cars.com](http://Show-Cars.com) for updates and many more pictures

**507-233-1958** Fax 507-354-1959 **1-24 Catalog 181**



**All prices subject to change without notice. Any installed part is not returnable**



Go to [Show-Cars.com](http://Show-Cars.com) for updates and many more pictures

507-233-1958 Fax 507-354-1959 1-24 Catalog 183



## Show Cars Part #2047A

All prices subject to change without notice. Any installed part is not returnable

L1111289376



Show Cars Part #8769



Show Cars Part #8664

Go to Show-Cars.com for updates and many more pictures



Endnotes

1

**507-233-1958** Fax 507-354-1959 **1-24 Catalog 185**

**All prices subject to change without notice. Any installed part is not returnable**